

# Carol Rose Outdoor Linear Fireplace

## OLL60FP

**MONTIGO**<sup>®</sup>  
the art of **fireplaces**



### INCLUDES

- Pre-Programmed-Color LED lighting beneath burner
- Manual electronic ignition with AA battery
- 3-Stage manually variable flame hotbox
- Weather Deflector Glass Panels (Taller panels available for windy applications)

### REQUIRES

- Decorative Crushed Glass (Glass Drops or Droplets may be added to area surrounding burner)

### ACTUAL DIMENSIONS

63 3/4" W x 24 1/2" H x 19 1/8" D

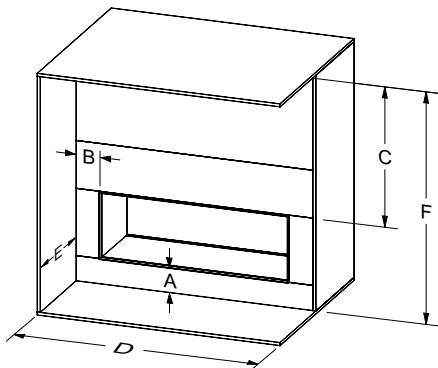
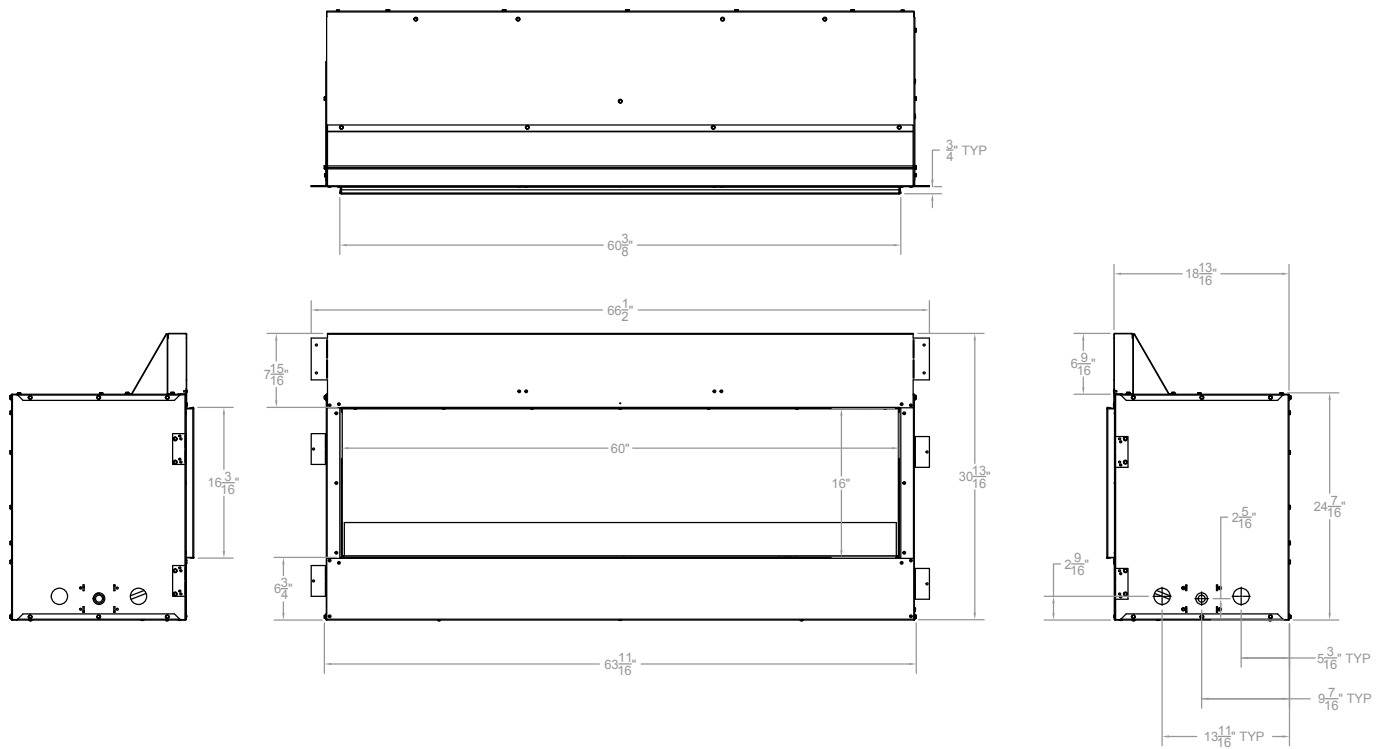
### TECHNICAL INFORMATION

- Maximum heat output: 65,000 BTU (LP or Natural)
- Weight: 253 lbs.
- Clearances:
  - Side Walls: 6"
  - Ceiling: 24"
  - Ground: 10 1/4"
- Type of Gas: LP or Natural

### FIELD INSTALLED ACCESSORIES

- Deflector Glass, 60-inch
- Drain Tray, 60-inch Stainless Steel
- Weather Door, 60-inch Stainless Steel

# OLL60FP

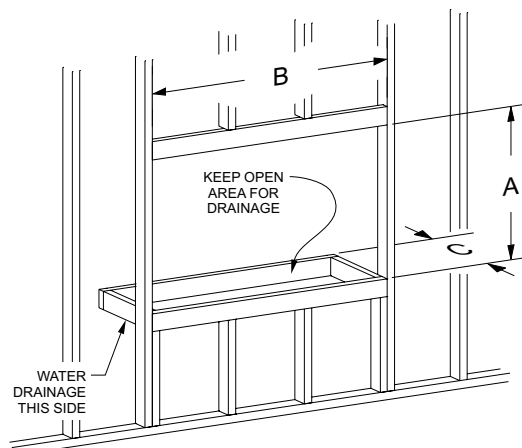


Index Letter	Description	Dimension from Fireplace Opening (in inches)
A	From ground or other combustible surface	10-1/4*
B	From Side Walls	6
C	From Ceiling (minimum)	24
D	Alcove Width (minimum)	72
E	Alcove Depth (maximum)	24
F	Ceiling Height (minimum)	90

\*Note: Dimension A includes 3-1/2 in. under fireplace for support framing and drain tray installation.

### Framing Dimensions (in inches)

Height (A)	31
Width (B)	64
Depth (C)	19 1/4



Empire is committed to continuous product improvement; specifications are subject to change without notice. Dimensions in this brochure are approximate; read and follow the framing dimensions in the owners manual supplied with your Empire product. Flame size, shape, and color will vary from photos. Our mantels feature natural veneers and hand-rubbed finishes – wood grain and color will vary. Adjust light levels and use "natural light" incandescent bulbs to enhance the dramatic look for your wooden mantel.

Member of the following industry associations:



This appliance is design-certified to the ANSI standard by:



SINCE 1932

Empire Comfort Systems Inc.  
918 Freeburg Ave.  
Belleville, IL 62220-2623  
info@empirecomfort.com  
01/18

The Empire Comfort Systems and White Mountain Hearth names and logos are registered U.S. trademarks.