



Order No. **500003863**
Model No. **ABN15-RGB-AM**

Notes:

Section 10309 - Manufactured Electric Fireplaces

PART 1 GENERAL

1.1 SECTION INCLUDES

- A. Manufactured electric fireplaces.
- B. Accessories

1.2 RELATED SECTIONS

- A. Section 06100 - Rough Carpentry: Wood framed rough opening and enclosure.

1.3 REFERENCES

- A. UL - 2021
- B. CSA - C22.2 No. 46

1.4 SUBMITTALS

- A. Submit under provisions of Section 01300.
- B. Product Data: Manufacturer's data sheets on each product to be used, including:
 - 1. Preparation instructions and recommendations.
 - 2. Storage and handling requirements and recommendations.
 - 3. Installation methods.
- C. Manufacturer's Certificates: Certify products meet or exceed specified requirements.
- D. Manufacturer's warranty.

1.5 DELIVERY, STORAGE, AND HANDLING

- A. Store products in manufacturer's unopened packaging until ready for installation.
- B. Protect materials from exposure to moisture. Do not deliver until after wet work is complete and dry.

1.6 WARRANTY

- A. Provide the manufacturer's 2-year limited warranty on electrical components.

PART 2 PRODUCTS

2.1 ACCEPTABLE MANUFACTURERS

- A. Pre-fabricated Electric Fireplace:
 - 1. Base: Dimplex Electric Fireplace
Glen Dimplex Americas
1367 Industrial Road
Cambridge ON N3H 4W3
1-888-346-7539
www.dimplex.com
 - 2. Substitutions not permitted
 - 3. Requests for substitutions will be considered in accordance with provisions of Section 01600.



Order No. **500003863**
Model No. **ABN15-RGB-AM**

Notes:

Section 10309 - Manufactured Electric Fireplaces

2.2 ELECTRIC FIREPLACES

A. General:

1. Provide all components and accessories required for a complete, functional unit.
2. cULus listed, file E71416

B. Pre-fabricated Electric Fireplace:

1. Base Product:

- a) Dimplex Electric Fireplace
- b) Material Number: 500003863
- c) Model Number: ABN15-RGB-AM
- d) Regulatory model number: 6914220100

2. Description: Optimyst Revive Water Vapor Fireplace

3. Dimensions:

- a) Width: 25-1/4" / 64.0 cm
- b) Height: 24-15/16" / 63.3 cm
- c) Depth: 12-13/16" / 32.8 cm

4. Minimum Opening Dimensions:

- a) Width: 25-1/4" / 64.1 cm
- b) Height: 25" / 63.5 cm
- c) Depth: 12" / 30.5 cm

5. Electrical:

- a) Volts: 120 V (3-Wire)
- b) Watts: 1250 W
- c) Amps: 10.42 A

6. No Venting

7. Air intakes: Minimum Bottom Air intake 16 in² (100 cm²).

CAUTION: Blocking the fresh air inlets will result in poor flame performance and damage to the fireplace. Fresh air inlets are required under the unit. Do not block the opening below the drawer front.

8. Operation: Flame only, Flame and heat

9. Heating: Fan-forced heater

10. Standard features:

- a) Patented multi-colored 3D flame effect produced by LED lights and fine mist
- b) Overflow sensor to automatically shut off operation.
- c) Adjustable flame and volume control
- d) Safe, cool-touch surfaces, ideal for residential and commercial applications
- e) Fan-forced heater



Order No. **500003863**
Model No. **ABN15-RGB-AM**

Notes:

Section 10309 - Manufactured Electric Fireplaces

11. Control options:
 - a) Flame Connect mobile app
 - b) Multi-functional remote
 - c) In drawer touch controls
 - d) Built-in power switch (in drawer)
12. Optional Accessories:
 - a) 36 x 32 in Trim Kit - 400001853
 - b) 40x 35 in Trim Kit - 400001854

PART 3 EXECUTION

3.1 INSPECTION

- A. Do not begin installation until substrates have been properly prepared.
- B. If substrate preparation is the responsibility of another installer, notify Architect of unsatisfactory preparation before proceeding.
- C. Verify proper power supply is available.

3.2 PREPARATION

- A. Clean surfaces thoroughly prior to installation.
- B. Prepare surfaces using the methods recommended by the manufacturer of the substrate for achieving the best result for the substrate under the project conditions.

3.3 INSTALLATION

- A. Install in accordance with manufacturer's instructions and requirements of authorities having jurisdiction.
- B. Use manufacturer's guidelines for minimum clearances to combustibles, walls, and finishes.
- C. Anchor all components firmly in position for long life under hard use.
- D. Upon completion of installation, visually inspect all exposed surfaces. Touch up scratches and abrasions with touch up paint recommended by the manufacturer; make imperfections invisible to the unaided eye from a distance of 5 feet (1.5 m).
- E. To use the mobile app, install it prior to your mobile device.
- F. Minimum Bottom Air intake 16 in² (100 cm²) is required. If the air inlet is concealed using a grille, the covered area must be compensated for by having a larger opening.
- G. Ensure that all electrical connections meet local electrical code requirements.

3.4 PROTECTION

- A. Protect installed products until completion of project.
- B. Touch-up, repair or replace damaged products before Substantial Completion.

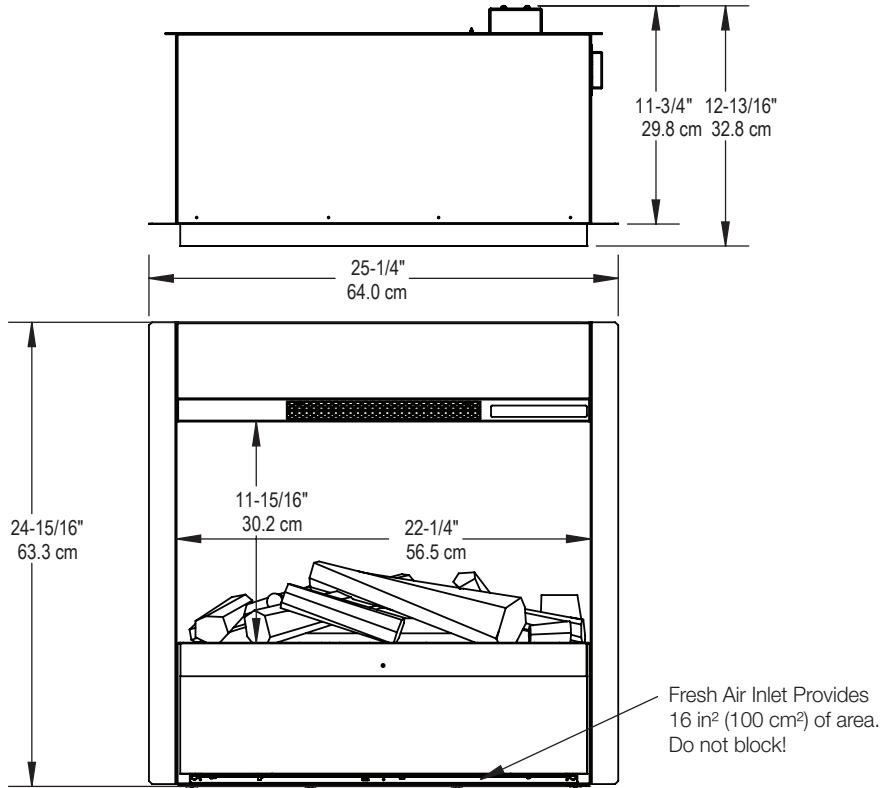
END OF SECTION



Order No. **500003863**
 Model No. **ABN15-RGB-AM**

Notes:

Product Dimensions:

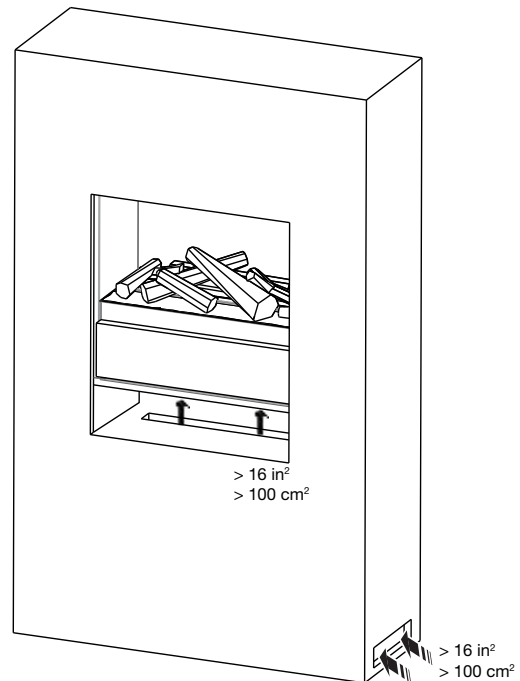


Product	A WIDTH (in/cm)	B HEIGHT (in/cm)	C DEPTH (in/cm)	VIEWING DIMENSION - WxH (in/cm)
ABN15-RGB-AM	25-1/4 (64.0)	24-15/16 (63.3)	12-13/16 (32.8)	22-1/4 x 11-15/16 (56.5 x 30.2)

Additional Fresh Air Inlets for Framed structure.

CAUTION: Failure to include fresh air inlets will result in poor flame performance and damage to the fireplace. Fresh air inlets are required under the unit. If the air inlet is concealed using a grille, the covered area must be compensated for by having a larger opening.

The lower air inlet must allow for the air path to reach the underside of the unit. The opening must be a minimum of 16 in² (100 cm²).



Air inlet area required	
16 in ²	100 cm ²



Order No. **500003863**
Model No. **ABN15-RGB-AM**

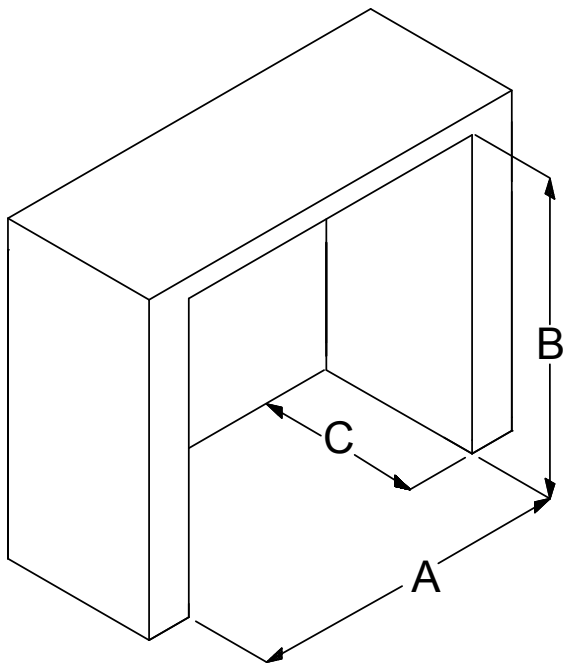
Notes:

Installation Opening

(existing hearth or framed construction)

Based on the product dimensions frame an opening or determine if product will fit in existing hearth.

This product can be built into a wall, surround or structure. Refer to the minimum opening dimensions below. Suitable clearance should be provided to allow air flow from the back and under the unit.



Opening Dimensions

Model	A (minimum width)	B Height	C (minimum depth)
ABN15-RGB-AM	25 1/4" / 64.1 cm	25" / 63.5 cm	12" / 30.5 cm

* Allows for a 2 mm clearance all around

⚠ CAUTION: This fireplace is **NOT** load-bearing. Ensure the opening for the fireplace is framed in such a way that the weight of the building materials will not create pressure on the top of the fireplace.

⚠ CAUTION: Ensure air intake requirements are met. Failure to do so will result in poor flame performance and damage to the fireplace

! NOTE: Wiring connections are located at the back of the firebox, in the bottom right corner.

Placement

! NOTE: Surfaces 12" (30 cm) above the fireplace will not exceed 40° C, as long as installation procedures are followed and heater inlet and outlet are not obstructed.

Installation in a Bathroom

If this unit is installed in a bathroom, it must be protected by a GFCI receptacle or circuit. If a receptacle is used, it must be readily accessible. This electrical appliance is NOT watertight. To prevent electric shock, it must be installed as to prevent water from entering unit, or installed away from showers, tubs, etc. Never locate fireplace where it may fall into a bathtub or other water container

Installation Recommendations for Overhanging Objects

For overhanging temperature-sensitive objects, such as a television, a mantel, or artwork, always follow the recommendations provided by its manufacturer for installation over a heater.