



PARAGON / PROUDLY HANDCRAFTED IN NORTH AMERICA

PARAGON

FEATURING TRUFLAME TECHNOLOGY

DVCT
TRADITIONAL

DVCT36CBP95N
DVCT40CBP95N

SINGLE SIDED
DIRECT VENT

Standard

Micro mesh screen

Multi-function remote control

Remote Hi-Lo flame

Halogen downlighting

Rear Burner shut down

Options

Heat management

Decorative fronts

Traditional logsets[†]

Traditional and contemporary liners[†]

Remote controlled fans

Propane conversion kit

WiFi phone app control

QUICK DIMENSIONS

	DVCT36		DVCT40	
	UNIT	FRAM.	UNIT	FRAM.
F.WIDTH	45	45½	49	49½
B.WIDTH	33	45½	36¾	49½
HEIGHT	40¾	53½	42¾	55½
DEPTH	22½	22½	24	24
VIEWING	31¾ x 28¾		36 x 30¾	

BTU LISTING

DVCT36NAT / 40,000
DVCT40NAT / 47,500

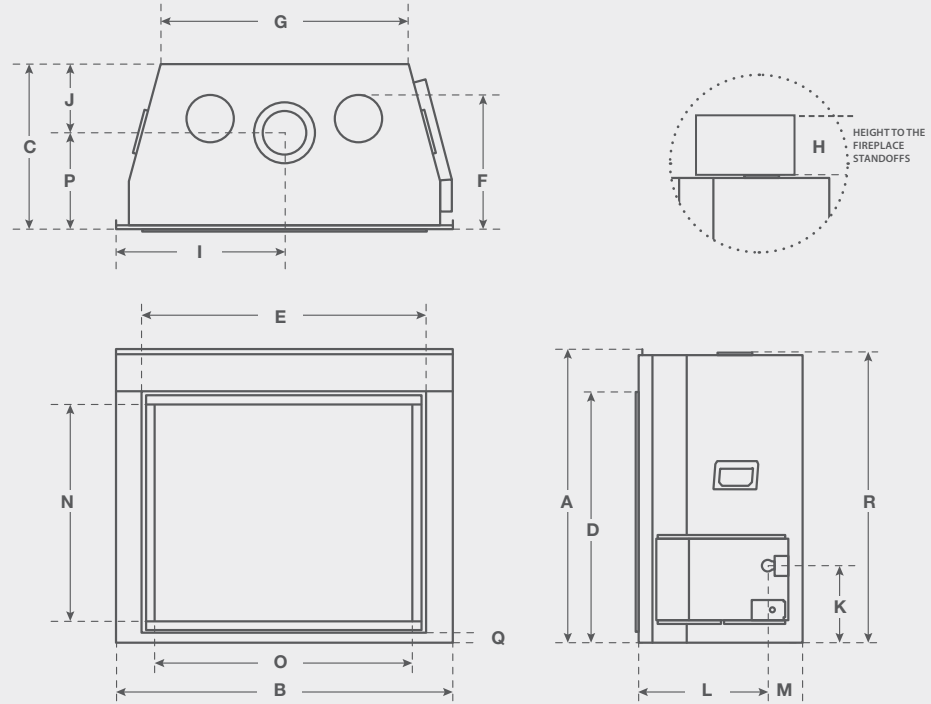
DVCT36LP / 40,000
DVCT40LP / 45,000

[†]Required for installation





PARAGON DIMENSIONS



	A	B	C	D	E	F	G	H	I	J	K	L	M	N	O	P	Q	R
DVCT36	40 ³ / ₄	45	22 ¹ / ₂	34 ¹ / ₂	36 ⁷ / ₈	17 ¹ / ₄	33	13	22 ¹ / ₂	10 ⁵ / ₈	11 ¹ / ₄	17	5 ¹ / ₂	28 ³ / ₈	31 ³ / ₄	12	1 ¹ / ₂	40 ⁵ / ₁₆
DVCT40	42 ³ / ₄	49	24	36 ¹ / ₂	40 ⁷ / ₈	16 ¹ / ₂	36 ¹ / ₈	13	24 ¹ / ₂	10 ¹ / ₁₆	11 ¹ / ₄	19 ³ / ₈	5 ³ / ₁₆	30 ³ / ₈	36	14	1 ¹ / ₂	42 ⁵ / ₁₆

MONTIGO / PARAGON / DVCT40CBP95N / TAN BRICK



OPTIONS & FEATURES



REMOTE



WIFI PHONE APP CONTROL



WALL REMOTE



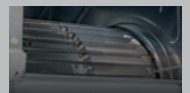
DOWNLIGHTING



TRADITIONAL LOGETS



BIRCH LOGETS



FANS

LINERS



TAN BRICK



GREY HERRINGBONE



BLACK PORCELAIN



DECORATIVE FRONT

PARAGON / PROUDLY HANDCRAFTED IN NORTH AMERICA



PARAGON

FEATURING TRUFLAME TECHNOLOGY

DVCT50CBP95N

SINGLE SIDED
DIRECT VENT

QUICK DIMENSIONS

	DVCT50	
	UNIT	FRAM.
F.WIDTH	58	58½
B.WIDTH	36⅞	58½
HEIGHT	47¾	58½
DEPTH	24	24
VIEWING	47¾ x 36⅞	

DVCT TRADITIONAL

Standard

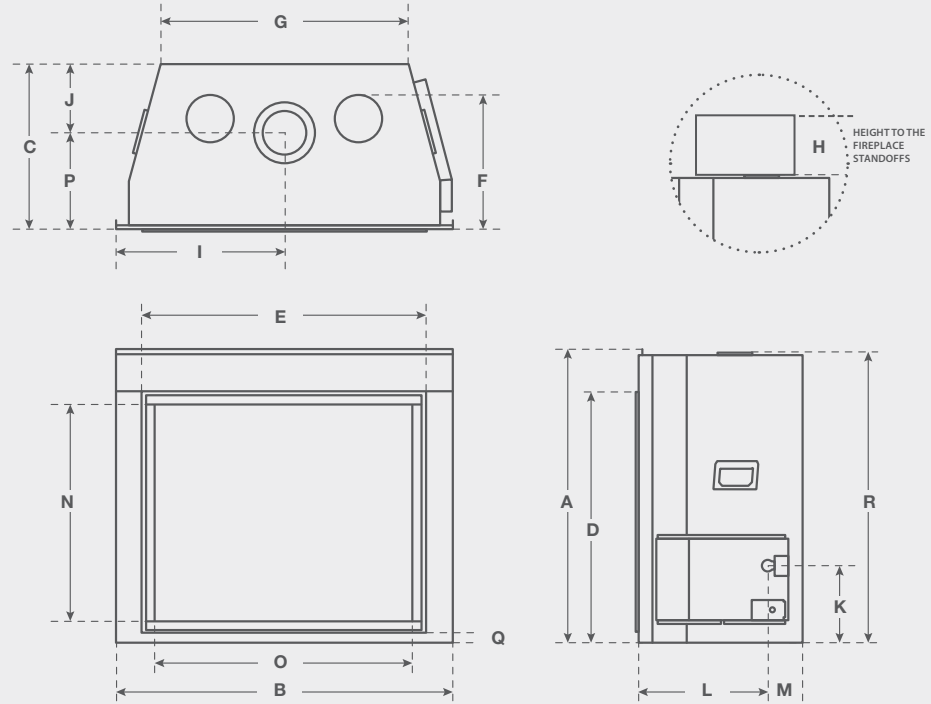
- Micro mesh screen
- Multi-function remote control
- Remote Hi-Lo flame
- Halogen downlighting
- Independent rear burner shut down

Options

- Heat management
- Decorative fronts
- Traditional logsets[†]
- Traditional and contemporary liners[†]
- Remote controlled fans
- Propane conversion kit
- WiFi phone app control



PARAGON DIMENSIONS



	A	B	C	D	E	F	G	H	I	J	K	L	M	N	O	P	Q	R
DVCT50	47 ³ / ₄	58	24	41 ¹ / ₂	51	19 ¹ / ₄	36 ³ / ₁₆	11	21	10	12 ¹ / ₄	19 ³ / ₄	4 ⁷ / ₈	36 ³ / ₁₆	47 ³ / ₈	14	1 ¹ / ₂	48 ¹ / ₁₆

MONTIGO / PARAGON / DVCT50CBP95N / BLACK PORCELAIN



OPTIONS & FEATURES



REMOTE



WIFI PHONE APP CONTROL



WALL REMOTE



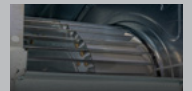
DOWNLIGHTING



TRADITIONAL LOGETS



BIRCH LOGETS

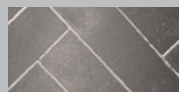


FANS

LINERS



VINTAGE BROWN



GREY HERRINGBONE



BLACK PORCELAIN



DECORATIVE FRONT

Unit Specifications

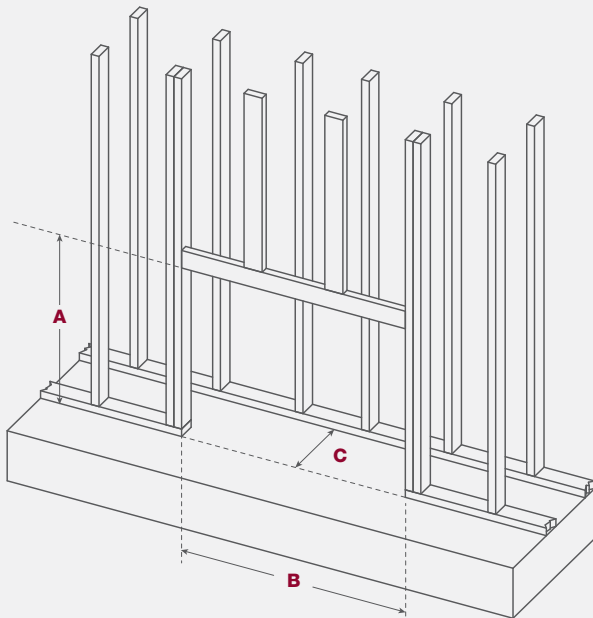
ICON LEGEND

AVAILABLE	+	NOT AVAILABLE	-
DEDICATED	◊	STANDARD	◦

	BTU NATURAL GAS (MAX)	BTU LIQUID PROPANE (MAX)	VENTING	CLEARANCE TOP	CLEARANCE SIDES	CLEARANCE BACK	CLEARANCE FLOOR	FRONT VIEWING AREA	FRONT GLASS TYPE	STANDARD MEDIA	MICRO MESH SCREEN	POWERVENT	REMOTE CONTROL	FANS	UPLIGHTING	DOWNLIGHTING
DVCT36CBP95(N,P)-2	40,000	40,000	5"8"	36	2	0	0	31¼ × 28¾	HIGH TEMPERATURE	N/A	◦	+	◦	+	-	◦
DVCT40CBP95(N,P)-2	47,500	45,000	5"8"	36	2	0	0	36 × 30¾	HIGH TEMPERATURE	N/A	◦	+	◦	+	-	◦
DVCT50CBP95K(N,P)-1	56,500	55,000	5"8"	36	2	0	0	47¾ × 36¾	HIGH TEMPERATURE	N/A	◦	+	◦	+	-	◦
DVCT40CSP95(N,P)-1	60,500	55,000	5"8"	24	3	0	0	31½ × 37¾	HIGH TEMPERATURE	N/A	◦	+	◦	+	-	◦

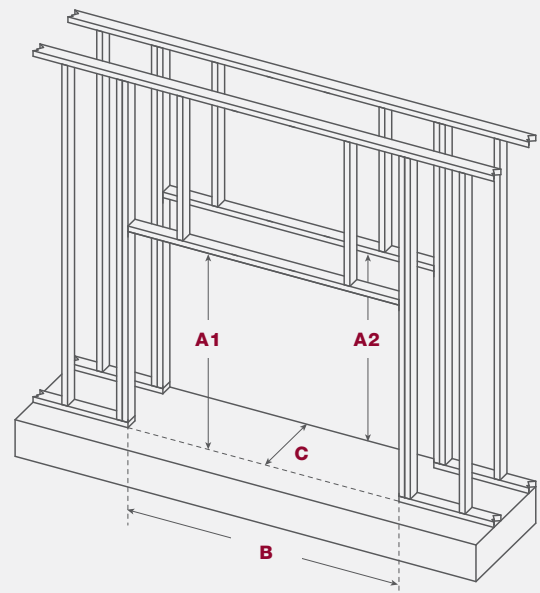
DVCT SINGLE SIDED FRAMING

	A	B	C
DVCT36	53½	45½	22⅞
DVCT40	55½	49½	24
DVCT50	58½	58½	24



DVCT SEE THROUGH FRAMING

	A1	A2	B	C
DVCT40CSP	59	59	57¾	23½
DVCT40CSP WITH OUTDOOR KIT	59	62	58	25½



Header on edge not required if framing meets clearance to venting