

**MONTIGO®**

# DISTINCTION

DISTINCTION / PROUDLY HANDCRAFTED IN NORTH AMERICA

D3615

D4815

D6315

D7215

D3615ST

D4815ST

D6315ST

D7215ST

DISTINCTION / SINGLE SIDED + SEE THROUGH

DISTINCTION D4815NI-2 DRIFTWOOD SPECKLED STONES



# DISTIN

DISTINCTION D4815NI-2 ICE FIREGLASS



# BETWEEN MONTIGO AND THE COMPETITION, THERE IS A CLEAR **DISTINCTION**

## THE PERFECT COMBINATION OF PERFORMANCE AND DESIGN

Available in single sided and see through configurations, every size in the Distinction lineup comes standard with LED lighting, fan kit, and a multi-function Proflame 2 remote control. The stunning flame is further enhanced with the addition of a non-intrusive micro mesh screen, black reflective glass panels and the convenience of a 30% turndown. For further heat control, we recommend our full range of Cool Wall Advantage kits, which are compatible with every configuration of the Distinction series.

# DISTINCTION

**DISTINCTION** D7215NI-2 DRIFTWOOD SPECKLED STONES ASH FLUTED PANELS





**Features**

Compatible with the Cool Wall Advantage kit

Certain size models meet requirements for efficiency rebates

DISTINCTION / PROUDLY HANDCRAFTED IN NORTH AMERICA

# DISTINCTION PERFORMANCE & DESIGN

**DISTINCTION FULL LOAD CONTEMPORARY**

D3615  
D4815  
D6315  
D7215

SINGLE SIDED DIRECT VENT

**Standard**

Concealed burner with Ice fireglass

Multi-function remote control

Remote Hi-Lo flame control<sup>†</sup>

Remote controlled fans

Micro mesh screen

Black reflective glass

Multicolor LED uplighting

Battery backup

**Options**

Cool Wall Advantage

Propane conversion kit

Adjustable trim kit

Fluted liners

WiFi phone app control

<sup>†</sup>30% turndown, 50% turndown for D6315

**QUICK DIMENSIONS**

	D3615		D4815		D6315		D7215	
	UNIT	FRAM.	UNIT	FRAM.	UNIT	FRAM.	UNIT	FRAM.
WIDTH	51 <sup>7</sup> / <sub>8</sub>	59 <sup>3</sup> / <sub>4</sub>	63 <sup>7</sup> / <sub>8</sub>	71 <sup>3</sup> / <sub>4</sub>	72 <sup>7</sup> / <sub>8</sub>	79 <sup>1</sup> / <sub>2</sub>	87 <sup>7</sup> / <sub>8</sub>	95 <sup>3</sup> / <sub>4</sub>
HEIGHT	41	49 <sup>13</sup> / <sub>16</sub>	41	49 <sup>13</sup> / <sub>16</sub>	33 <sup>3</sup> / <sub>16</sub>	50 <sup>3</sup> / <sub>8</sub>	43 <sup>3</sup> / <sub>8</sub>	59 <sup>3</sup> / <sub>8</sub>
DEPTH	16 <sup>7</sup> / <sub>8</sub>	17 <sup>1</sup> / <sub>2</sub>	16 <sup>7</sup> / <sub>8</sub>	17 <sup>1</sup> / <sub>2</sub>	16 <sup>1</sup> / <sub>2</sub>	18	17 <sup>7</sup> / <sub>8</sub>	18 <sup>1</sup> / <sub>2</sub>
VIEWING	36 x 15 <sup>1</sup> / <sub>2</sub>		48 x 15 <sup>1</sup> / <sub>2</sub>		63 x 14		73 <sup>7</sup> / <sub>8</sub> x 15 <sup>1</sup> / <sub>2</sub>	

**BTU LISTING**

D3615\***I**-2 / 35,000  
D4815\***I**-2 / 40,000  
D6315\***I**-2 / 50,000  
D7215\***I**-2 / 57,000

**EFFICIENCY P.4. 1-15**

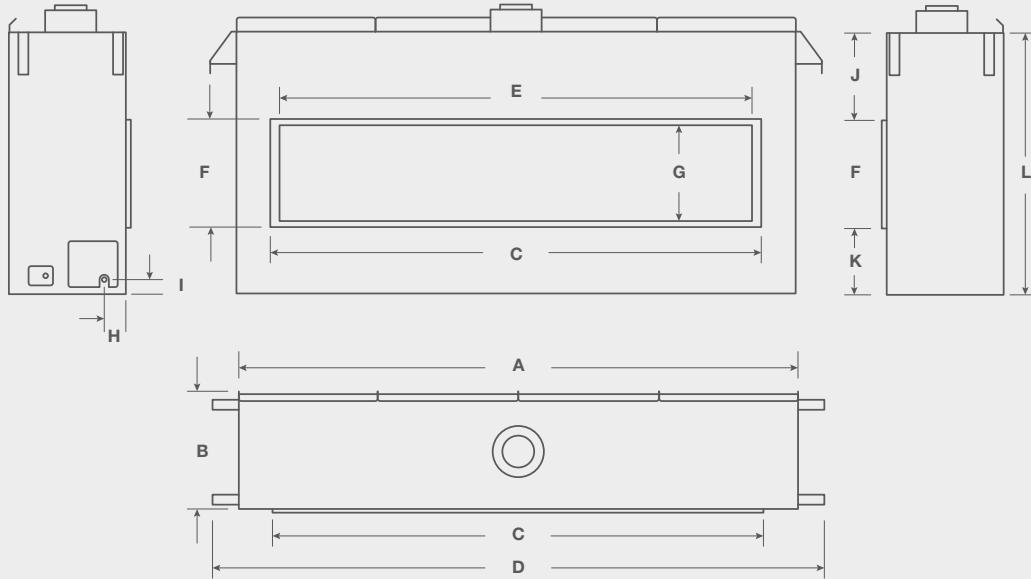
D3615**NI**-2 / 71.96%  
D3615**LI**-2 / 70.48%  
D4815**NI**-2 / 77.49%  
D4815**LI**-2 / 76.58%

D6315**NI**-2 / 62.69%  
D6315**LI**-2 / 60.49%

D7215**NI**-2 / 73.86%  
D7215**LI**-2 / 74.54%



## DISTINCTION DIMENSIONS



	A	B	C	D	E	F	G	H	I	J	K	L
D36	51 $\frac{7}{8}$	16 $\frac{7}{8}$	40 $\frac{3}{4}$	59 $\frac{3}{4}$	37 $\frac{7}{8}$	17	15 $\frac{1}{2}$	6 $\frac{1}{8}$	2 $\frac{3}{8}$	13 $\frac{5}{8}$	10 $\frac{3}{8}$	41
D48	63 $\frac{3}{8}$	16 $\frac{7}{8}$	52 $\frac{13}{16}$	71 $\frac{3}{4}$	49 $\frac{7}{8}$	17	15 $\frac{1}{2}$	6 $\frac{1}{8}$	2 $\frac{3}{8}$	13 $\frac{5}{8}$	10 $\frac{3}{8}$	41
D63	72 $\frac{1}{2}$	16	65 $\frac{13}{16}$	79 $\frac{1}{2}$	63 $\frac{1}{16}$	16 $\frac{1}{2}$	14	7	2 $\frac{1}{2}$	6	10 $\frac{3}{8}$	33 $\frac{3}{16}$
D72	87 $\frac{1}{2}$	17 $\frac{1}{8}$	76 $\frac{3}{4}$	95 $\frac{1}{4}$	73 $\frac{1}{8}$	17	15 $\frac{1}{2}$	5 $\frac{1}{2}$	2 $\frac{3}{8}$	13 $\frac{5}{8}$	10 $\frac{3}{8}$	41



MONTIGO / DISTINCTION / D6315 / ICE FIREGLASS



MONTIGO / DISTINCTION / D4815 / ICE FIREGLASS

### OPTIONS & FEATURES

REMOTE<sup>†</sup>  
RX200\*\*

WALL REMOTE  
EC1550

WIFI PHONE APP  
CONTROL  
SIT-WIFI<sup>†</sup>

TRIM KIT<sup>†</sup>  
DT\*\*

UPLIGHTING<sup>†</sup>  
INCLUDED

### LINERS

ASH FLUTED  
DBK\*\*AF

TUSCAN FLUTED  
DBK\*\*TF

BLACK GLASS<sup>†</sup>  
INCLUDED

<sup>†</sup>Standard on Distinction units

DISTINCTION / PROUDLY HANDCRAFTED IN NORTH AMERICA



Features

Compatible with the Cool Wall Advantage kit

Certain size models meet requirements for efficiency rebates

# DISTINCTION UNCOMPROMISING

MULTI SIDED

**DISTINCTION FULL LOAD CONTEMPORARY**

D3615ST  
D4815ST  
D6315ST  
D7215ST

SEE THROUGH DIRECT VENT

**Standard**

Concealed burner with Ice fireglass

Multi-function remote control

Remote Hi-Lo flame control<sup>†</sup>

Micro mesh screen

Black reflective glass

Multicolor LED uplighting

Battery backup

**Options**

Cool Wall Advantage

Propane conversion kit

Adjustable trim kit

Fluted liners

WiFi phone app control

**QUICK DIMENSIONS**

	D3615ST		D4815ST		D6315ST		D7215ST	
	UNIT	FRAM.	UNIT	FRAM.	UNIT	FRAM.	UNIT	FRAM.
WIDTH	51 <sup>7</sup> / <sub>8</sub>	59 <sup>3</sup> / <sub>4</sub>	63 <sup>7</sup> / <sub>8</sub>	71 <sup>3</sup> / <sub>4</sub>	72 <sup>7</sup> / <sub>8</sub>	79 <sup>1</sup> / <sub>2</sub>	87 <sup>7</sup> / <sub>8</sub>	95 <sup>3</sup> / <sub>4</sub>
HEIGHT	41	49 <sup>15</sup> / <sub>16</sub>	41	49 <sup>15</sup> / <sub>16</sub>	33 <sup>3</sup> / <sub>16</sub>	50 <sup>3</sup> / <sub>8</sub>	41	59 <sup>3</sup> / <sub>8</sub>
DEPTH	17 <sup>3</sup> / <sub>4</sub>	17 <sup>11</sup> / <sub>16</sub>	17 <sup>3</sup> / <sub>8</sub>	17 <sup>11</sup> / <sub>16</sub>	18 <sup>1</sup> / <sub>2</sub>	18	17 <sup>3</sup> / <sub>4</sub>	17 <sup>11</sup> / <sub>16</sub>
VIEWING	36 x 15 <sup>1</sup> / <sub>2</sub>		48 x 15 <sup>1</sup> / <sub>2</sub>		63 x 14		73 <sup>7</sup> / <sub>8</sub> x 15 <sup>1</sup> / <sub>2</sub>	

<sup>†</sup>30% turndown, 50% turndown for D6315

**BTU LISTING**

D3615\*STI-2 / 35,000  
D4815\*STI-2 / 40,000  
D6315\*STI-2 / 50,000  
D7215\*STI-2 / 57,000

**EFFICIENCY P.4. 1-15**

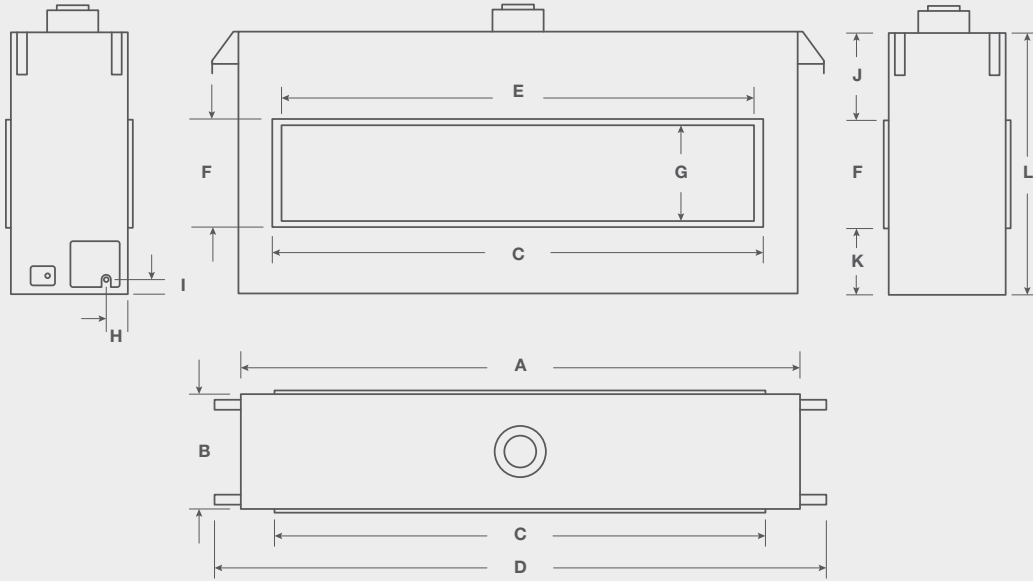
D3615STNI-2 / 71.96%  
D3615STLI-2 / 70.48%  
D4815STNI-2 / 77.49%  
D4815STLI-2 / 76.58%

D6315STNI-2 / 62.69%  
D6315STLI-2 / 60.49%

D7215STNI-2 / 73.86%  
D7215STLI-2 / 74.54%



## DISTINCTION DIMENSIONS



	A	B	C	D	E	F	G	H	I	J	K	L
D36ST	51 $\frac{7}{8}$	17 $\frac{3}{8}$	40 $\frac{3}{4}$	59 $\frac{3}{4}$	37 $\frac{7}{8}$	17	15 $\frac{1}{2}$	5 $\frac{1}{2}$	2 $\frac{3}{8}$	13 $\frac{3}{8}$	10 $\frac{3}{8}$	41
D48ST	63 $\frac{7}{8}$	17 $\frac{3}{8}$	52 $\frac{1}{16}$	71 $\frac{3}{4}$	49 $\frac{7}{8}$	17	15 $\frac{1}{2}$	5 $\frac{1}{2}$	2 $\frac{3}{8}$	13 $\frac{3}{8}$	10 $\frac{3}{8}$	41
D63ST	72 $\frac{7}{8}$	18 $\frac{1}{16}$	65 $\frac{9}{16}$	79 $\frac{1}{2}$	64 $\frac{1}{8}$	16 $\frac{1}{8}$	15 $\frac{5}{8}$	7	2 $\frac{1}{2}$	6	10 $\frac{7}{8}$	33 $\frac{3}{16}$
D72ST	87 $\frac{7}{8}$	17 $\frac{3}{8}$	76 $\frac{3}{4}$	95 $\frac{1}{16}$	73 $\frac{3}{8}$	17	15 $\frac{1}{2}$	5 $\frac{1}{2}$	2 $\frac{3}{8}$	13 $\frac{3}{8}$	10 $\frac{3}{8}$	41



MONTIGO / DISTINCTION / D6315ST / ICE FIREGLASS

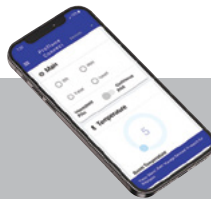
MONTIGO / DISTINCTION / D4815ST / ICE FIREGLASS



REMOTE<sup>†</sup>  
RX200\*\*



WALL REMOTE  
EC1550



WIFI PHONE APP  
CONTROL  
SIT-WIFI<sup>†</sup>



TRIM KIT<sup>†</sup>  
DT\*\*

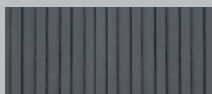


UPLIGHTING<sup>†</sup>  
INCLUDED

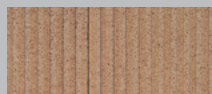
<sup>†</sup>Standard on Distinction units

OPTIONS &  
FEATURES

LINERS



ASH FLUTED  
DBK\*\*AFST



TUSCAN FLUTED  
DBK\*\*TFST



BLACK GLASS<sup>†</sup>  
INCLUDED

**HOW IT WORKS**

Heat is pulled by natural convection through a series of 5" flex vents attached to the top of the fireplace. The heat is then discharged through a TV plenum, horizontal, or vertical, sidewall kit. By routing excess heat this way, we can reduce the temperatures that may damage artwork or electronics mounted above your fireplace.



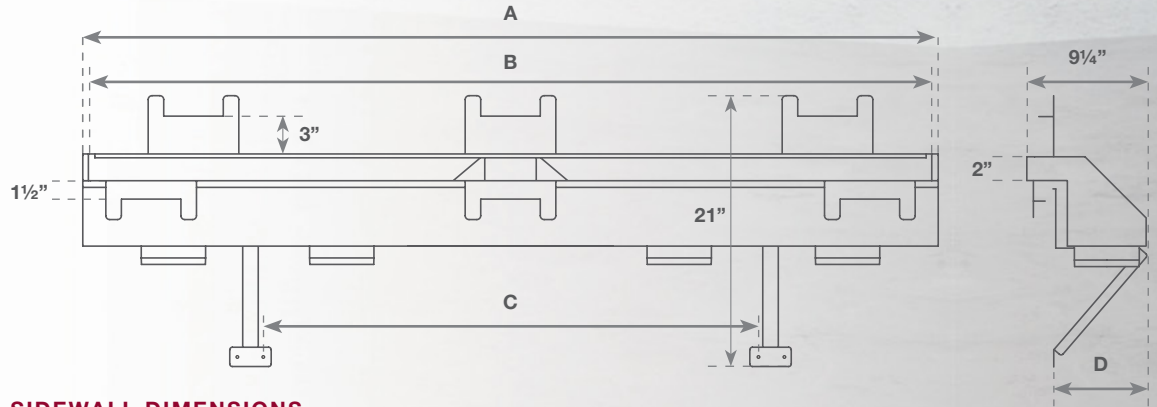
# Cool Wall Advantage

## Diverting heat away from the wall, keeping your TV or artwork safe

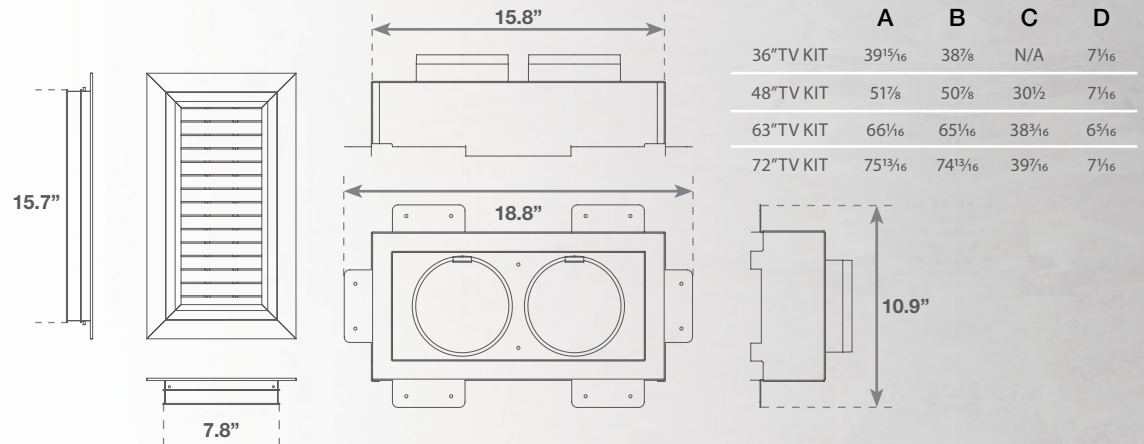
Cool Wall Advantage TV and sidewall kit plenums are finished with aluminum and are ready to match any interior with your choice of high temperature paint.

As heater rated fireplaces, the Distinction Series produces a generous amount of heat that requires the chase to be vented. The most elegant and efficient way to do this is with the Montigo Cool Wall Advantage system.

**COOL WALL KIT DIMENSIONS**



**SIDEWALL DIMENSIONS**



## OTHER CONSIDERATIONS

Designed not only for protecting art and electronics, delicate facing materials such as marble and granite benefit from the lower surface temperatures generated from a Cool Wall Advantage Kit.

Image shown is for example purposes only, please refer to your installation manual for recommendations on framing, recesses and surface temperatures.

### Sidewall kits include

2 Louvers

2 Plenums

Collars

Requires flex venting

### SIDEWALL KIT CODES

HORIZONTAL WALL KIT / HDKSD

VERTICAL WALL KIT / HDKSVD

### TV kits include

Louver

Plenum

Collars

Requires flex venting

### TV KIT CODES

36" WALL KIT / HDKPD36

48" WALL KIT / HDKPD48

63" WALL KIT / HDKPD63

72" WALL KIT / HDKPD72

### 190°F / 87°C Heat Vent

Heat is diverted through the Cool Wall Advantage kit, safely bypassing the space above the fireplace.

### 100°F / 38°C Cool Wall\*

Wall temperature is cool, creating an area safer for mounting a TV, or hanging artwork.

### 550°F / 287°C Glass\*

Reduced glass temperature, combined with the provided screen creates a safe viewing area.

\* 100°F / 38°C temperature taken at 30" above fireplace opening

\* Subject to measurement technique or fireplace/vent setup



SPECKLED STONES  
RR\*\*\*SS

COPPER  
HW1143

AMBER  
HW1261

ICE  
HW1157

GLACIER  
HW1219B

PLATINUM  
HW1144

ALABASTER  
HW1260

OBSIDIAN  
HW1113

ONYX  
HW1259

# MEDIA

FROST  
HW1112

QUARTZ  
HW1106

EBONY  
HW1091

DRIFTWOOD  
LGS\*\*\*

See Montigo pricepages for exact ordering codes and quantities needed  
Speckled stones and driftwood not available on all units, see pricepages for details

# Unit Specifications

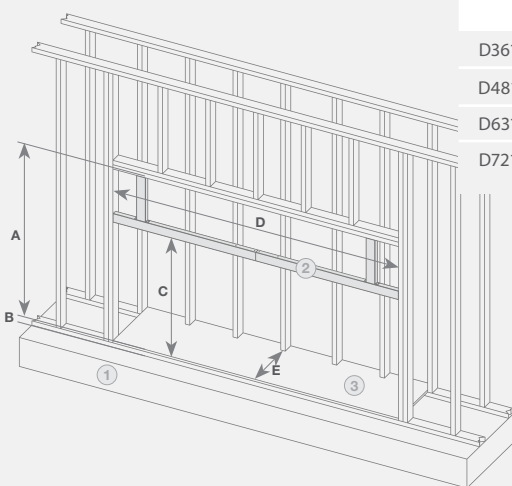
## ICON LEGEND

AVAILABLE	+	NOT AVAILABLE	-
DEDICATED	◊	STANDARD	◦

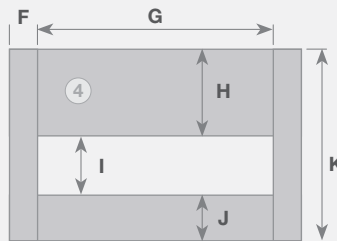
	BTU NATURAL GAS	BTU LIQUID PROPANE	GAS SUPPLY PRESSURE NG (SHOWN IN W.C.)		GAS SUPPLY PRESSURE LP (SHOWN IN W.C.)		VENTING	CLEARANCE SIDES	CLEARANCE BACK	CLEARANCE FLOOR	FRONT VIEWING AREA	FRONT GLASS TYPE	STANDARD MEDIA	POWERVENT	REMOTE CONTROL	FANS	UPLIGHTING	DOWNLIGHTING
D3615*I-2	35,000	35,000	11	13.8	5"/8" <sup>ab</sup>	4	1/2	0	36 X 14%	HIGH TEMPERATURE	HW1157	+	◦	◦	◦	◦	-	
D4815*I-2	40,000	40,000	11	13.8	5"/8" <sup>ab</sup>	4	1/2	0	48 X 14%	HIGH TEMPERATURE	HW1157	+	◦	◦	◦	◦	-	
D6315*I-2	50,000	50,000	11	13.8	5"/8"	3 1/2	2	0	63 1/2 X 14	HIGH TEMPERATURE	HW1157	+	◦	◦	◦	◦	-	
D7215*I-2	57,000	57,000	11	13.8	5"/8"	4	1/2	0	73 7/8 X 15 1/2	HIGH TEMPERATURE	HW1157	+	◦	◦	◦	◦	-	
D3615ST*I-2	35,000	35,000	11	13.8	5"/8" <sup>ab</sup>	4	1/2	0	36 X 14%	HIGH TEMPERATURE	HW1157	+	◦	-	◦	◦	-	
D4815ST*I-2	40,000	40,000	11	13.8	5"/8" <sup>ab</sup>	4	1/2	0	48 X 14%	HIGH TEMPERATURE	HW1157	+	◦	-	◦	◦	-	
D6315ST*I-2	50,000	50,000	11	13.8	5"/8"	3 1/2	2	0	63 1/2 X 14	HIGH TEMPERATURE	HW1157	+	◦	-	◦	◦	-	
D7215ST*I-2	57,000	57,000	11	13.8	5"/8"	4	1/2	0	73 7/8 X 15 1/2	HIGH TEMPERATURE	HW1157	+	◦	-	◦	◦	-	

ΔCan be reduced to 4"7"

## DISTINCTION SINGLE SIDED FRAMING



	A	B	C	D	E	F	G	H	I	J	K
D3615	49 15/16	2 1/4	N/A	59 3/4	17 1/2	10%	40%	24	17 1/8	12 9/16	53 11/16
D4815	49 15/16	2 1/4	N/A	71 3/4	17 1/2	10%	52%	24	17 1/8	12 9/16	53 11/16
D6315	50 3/8	2 1/4	33 11/16	79 1/2	18	8%	66 1/8	24 3/8	16 1/2	13	54 1/8
D7215	59 3/8	2 1/4	41 11/16	95 3/4	18 1/2	10%	76%	33 1/16	17 1/8	12 9/16	63 3/8

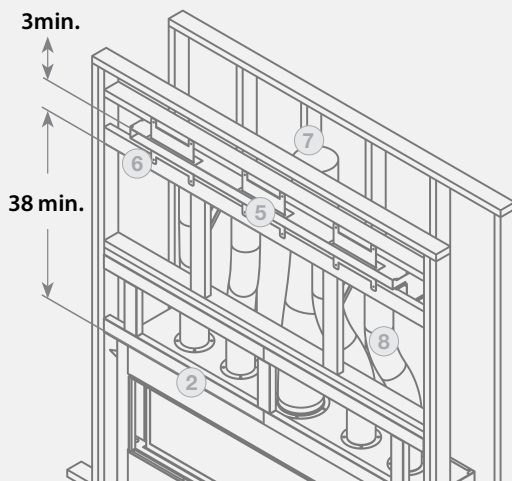


## DISTINCTION ST FRAMING

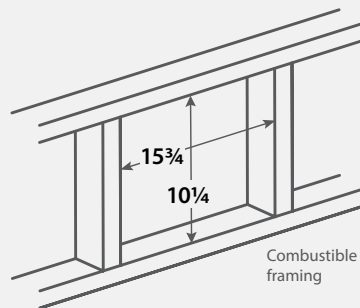
Use single sided framing chart except for dimension "E". this measurement is from edge to edge of the platform.

	E
D3615ST	17 11/16
D4815ST	17 11/16
D6315ST	18 7/8
D7215ST	17 11/16

## COOL WALL ADVANTAGE FRAMING



## COOL WALL ADVANTAGE SIDEWALL FRAMING



Dimensions are the same for both horizontal and vertical sidewall kits

36" size features 2 venting holes

## LEGEND

1	FLOOR STRUCTURE
2	NON-COMBUSTIBLE METAL FRAMING (NOT USED ON 36, 48)
3	FIREPLACE PLATFORM
4	CONCRETE BOARD
5	COOL WALL ADVANTAGE OPENING
6	2X4 ON EDGE
7	MAIN VENT
8	5" VENTING

See through versions include two sets of non combustible framing and concrete board.

36" and 48" version does not include non combustible framing kit

Chase venting is needed for safe operation of the unit, see instruction manual for detailed instructions

Minimum distance from unit base to ceiling is 89"

## 1976: The Days Before Gas Fireplaces

In 1976, Montigo president and founder, Dan Binzer, started installing zero-clearance wood burning fireplaces for local builders in Vancouver, BC. Over the years, demand grew for a gas alternative, and Dan engineered and manufactured the first ever sandpan logset. The logset was installed in a zero-clearance wood burning fireplaces shell, resulting in one of the first zero-clearance gas fireplaces on the market.

## 1985: Gas Fireplace Manufacturing Begins

Demand for gas grew rapidly, especially among multi-unit developments so Dan Binzer started a company called Canadian Heating that would offer full service design, engineering and manufacturing for gas fireplaces. Under the Montigo brand, Canadian Heating began manufacturing and selling a wide selection of zero-clearance gas fireplaces throughout Canada and in 1985 development began for the latest and greatest in gas fireplace technology – direct venting.

## 1994: Manufacturing Excellence is Achieved

Development and advancement of the gas fireplace continued over the years with continual developments to improve the efficiency of the fireplaces and perfected manufacturing processes to deliver an optimum fireplace each and every time – even for completely custom units.

## Present: Leading the Way with Modern Fireplace Design

As one of the first to bring a linear designed fireplace to market, Montigo now offers the largest selection of linear fireplaces demanded by designers, architects and homeowners wanting to create a modern and contemporary space and homeowners wanting to create a modern and contemporary space.

### **WARNING**

Some materials used in the manufacturing process of this product can expose you to Benzene which is known in the State of California to cause cancer and birth defects or other reproductive harm. For more information go to [www.P65warnings.ca.gov](http://www.P65warnings.ca.gov)

for more inspiration go to  
[www.montigo.com](http://www.montigo.com)

**MONTIGO**<sup>®</sup>  
the art of **fireplaces**



## Our Guarantee

Montigo<sup>®</sup> stands behind the craftsmanship and durability of our products by providing a 15 year warranty on the burner and firebox in all our residential fireplaces.



Printed in USA

XB2213