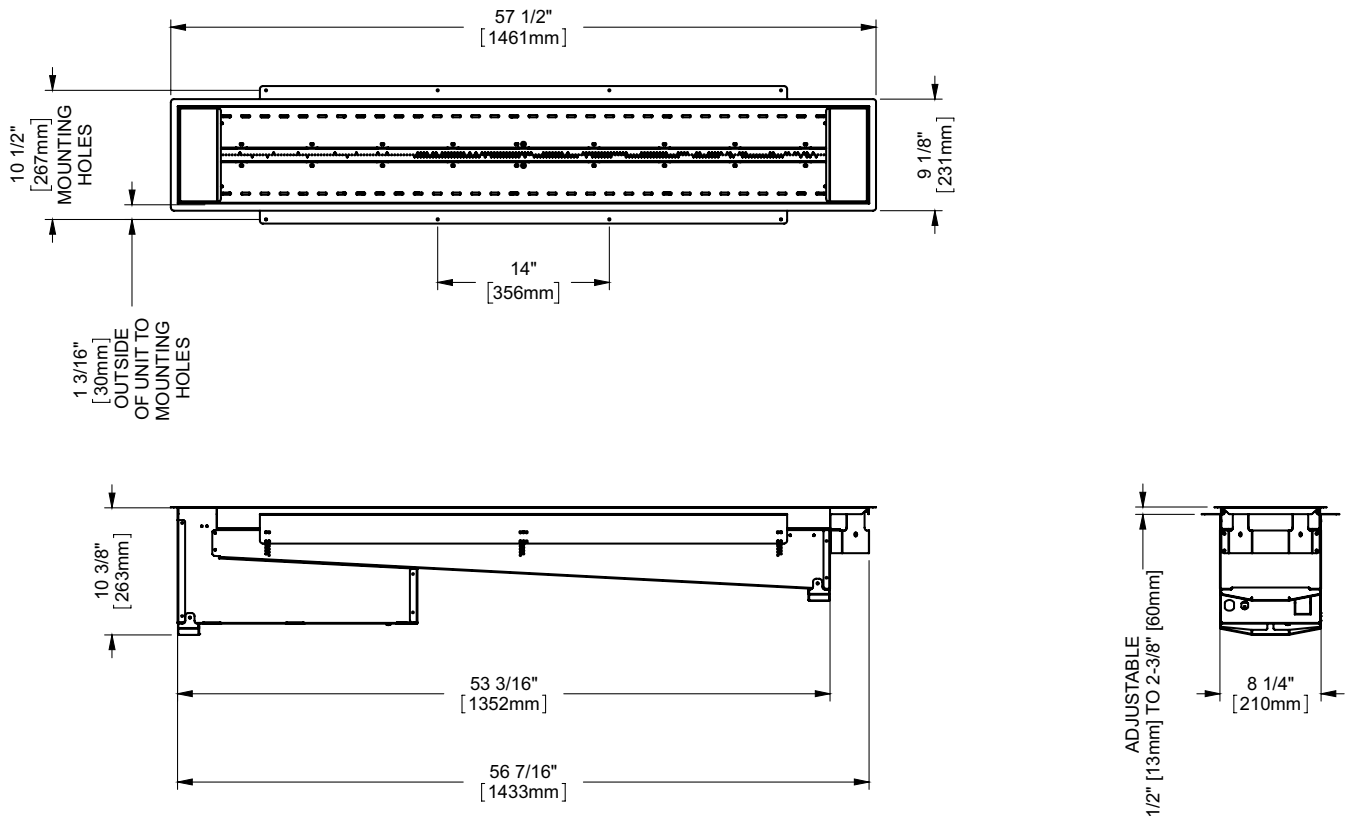


PTO50 Outdoor Fireplace

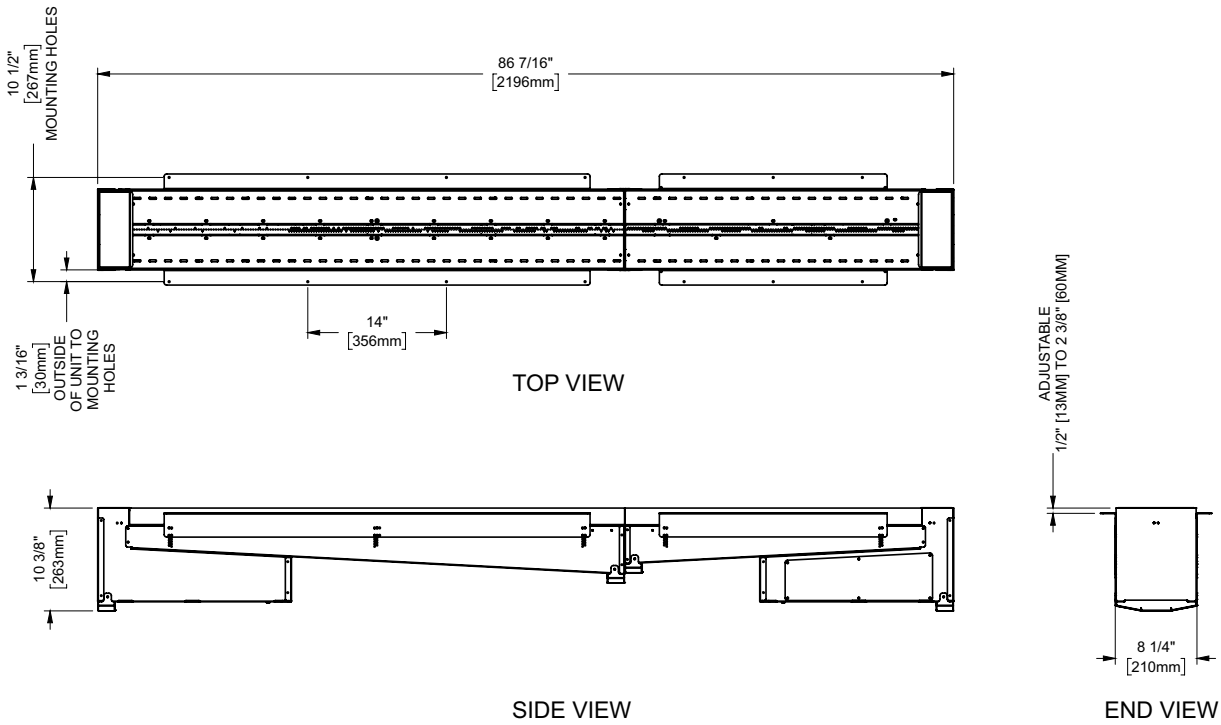
MODEL	PTO50-NG11	PTO50-LPG11
Fuel Type	Natural Gas	Propane
Minimum Supply Pressure	5" W.C. (1.25 kPa)	11" W.C. (2.73 kPa)
Manifold Pressure - High	3.5" W.C. (0.87 kPa)	10" W.C. (2.49 kPa)
Manifold Pressure - Low	1.6" W.C. (0.40 kPa)	6.4" W.C. (1.59 kPa)
Orifice Size -Altitude 0-4500 ft	# 11 DMS	# 42 DMS
Minimum Input Altitude 0-4500 ft. (0-1372m)	42,000 Btu/h (12.31 kW)	49,000 Btu/h (14.36 kW)
Maximum Input Altitude 0-4500 ft. (0-1372m)	64,000 Btu/h (18.76 kW)	62,000 Btu/h (18.17 kW)
Vent Sizing	No Vent	No Vent



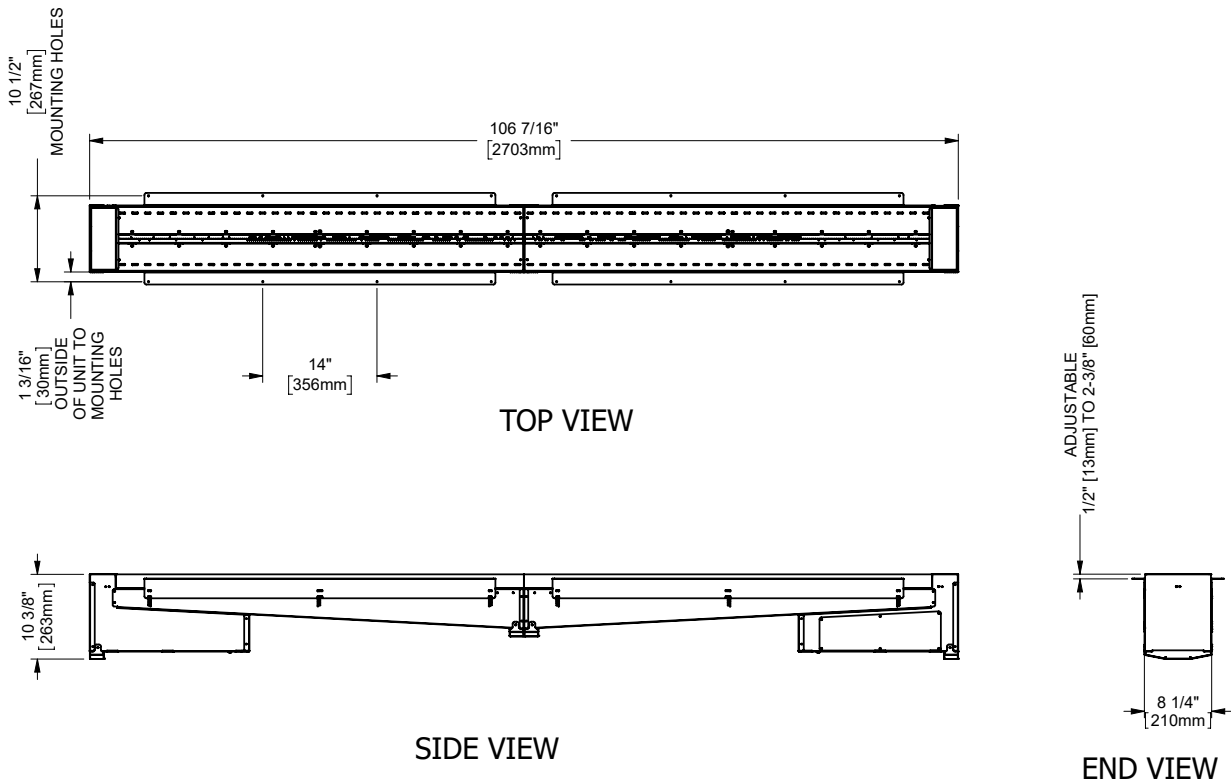
PTO50 UNIT DIMENSIONS



PTO80 (PTO50 JOINED WITH PTO30 JOINED END TO END)



PTO100 (2 X PTO50 JOINED END TO END)



MINIMUM CLEARANCES TO COMBUSTIBLES

The clearances listed below are minimum distances unless otherwise stated.

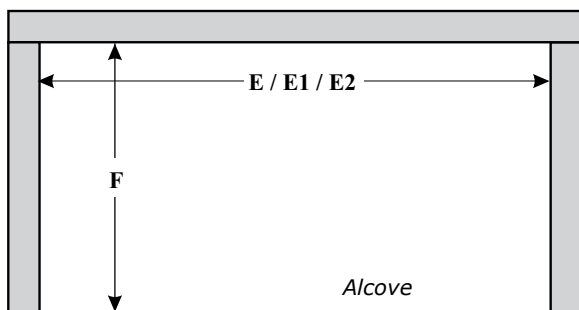
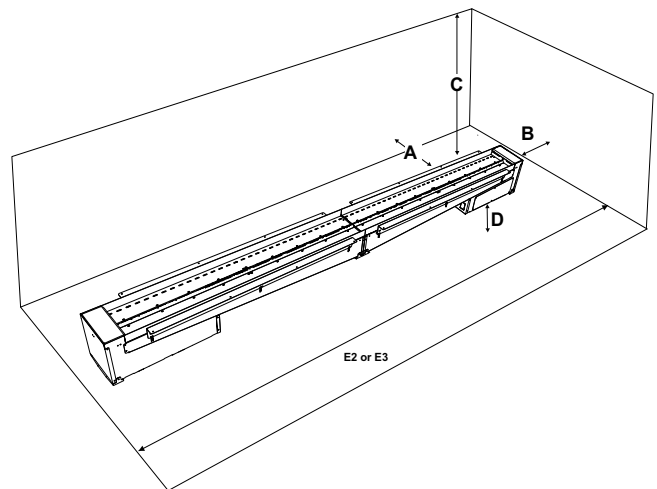
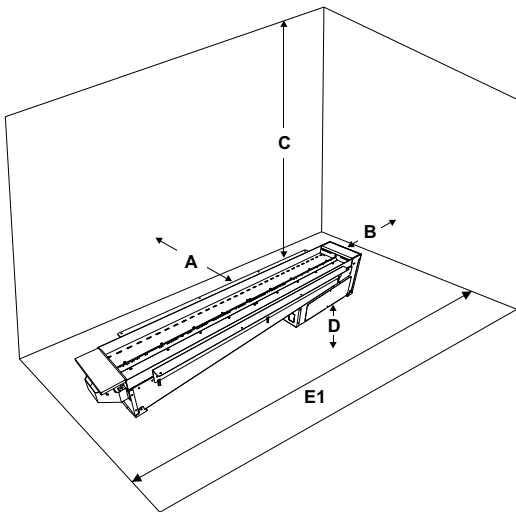
A major cause of fires is failure to maintain required clearances (air space) to combustible materials. It is of the greatest importance that this fireplace be installed only in accordance with these instructions.

Caution Requirements
The top, back and sides of the fireplace are defined by standoffs. The metal ends of the standoff may **NOT** be recessed into combustible construction.

WARNING
Fire hazard is an extreme risk if these clearances (air space) to combustible materials are not adhered to. It is of greatest importance that this fireplace be installed only in accordance with these instructions.

PTO50, PTO80 or PTO100 Clearance Requirements

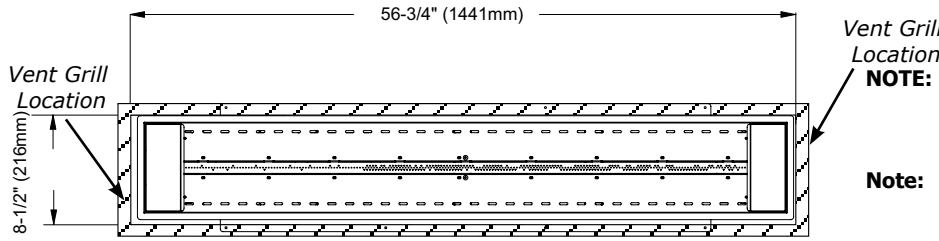
Clearances	Dimension	Measured From:
A: Back wall	18" (457mm)	Burner to back wall
B: Sidewall	17" (432mm)	Burner to sidewall
C: Ceiling	45" (1143mm)	Burner to Ceiling
D: Unit Base	1" (25mm)	Unit Base to Combustible
E1: Alcove Width E2: Alcove Width (PTO80) E3: Alcove Width (PTO100)	91" (2311mm) 121" (3074mm) 141" (3581mm)	Wall to Wall (Minimum)
F: Alcove Depth	60" (1524mm)	Front to Back Wall (Maximum)
Notes:	0"	No Hearth Required
Clearances shown are to both combustible/non combustible material.		



INNER FRAMING DIMENSIONS (REQUIRED)

NOTE: FRAMING MATERIAL NOT SUPPLIED

PTO50



TOP VIEW

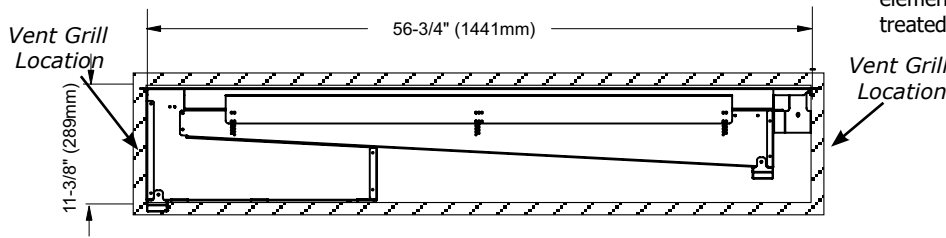
Vent Grill Location

NOTE: Framing materials must be non-combustible when used within 5" of the unit. Combustible framing materials may be used outside the 5" clearance range.

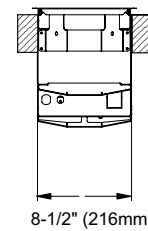
Note: The PTO30 non combustible clearance is 4", although when combining it with a PTO50 to make a PTO80 the clearance will be 5".

Finishing materials **MUST** be non-combustible.

Consideration should be given to weather / elements when choosing framing materials (ie. treated lumber, steel stud).



SIDE VIEW



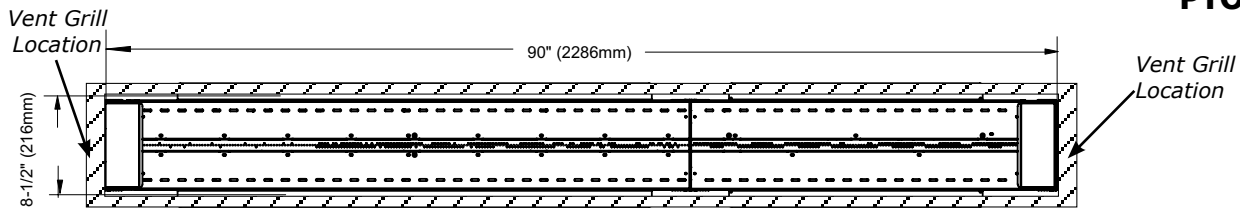
END VIEW

NOTE: PTO50 - Two (2) ventilation grills are required for all enclosures. The ventilation grill(s) must be placed at either end as shown to allow the air to circulate from one end to the other.

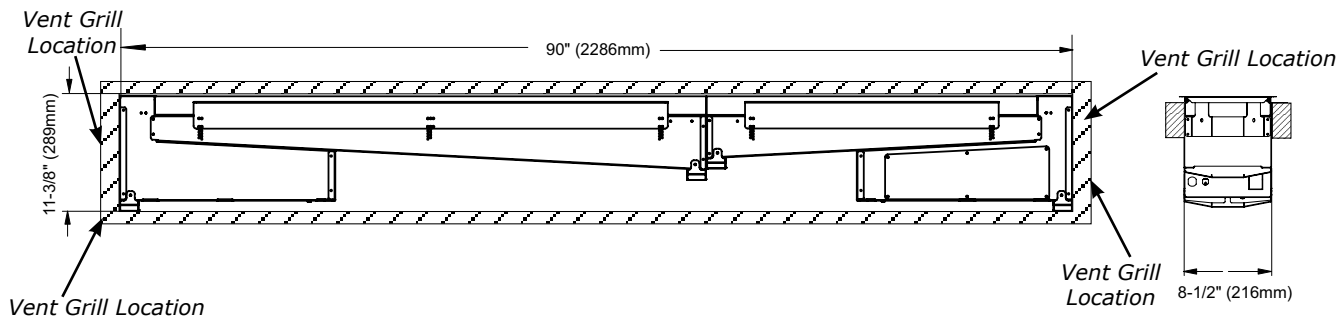
This is to alleviate moisture and allow for air to circulate. Minimum recommended size 20" sq (508 mm²) ea.

The ventilation grills must be located at the ends of the burner as shown.

PTO80



TOP VIEW



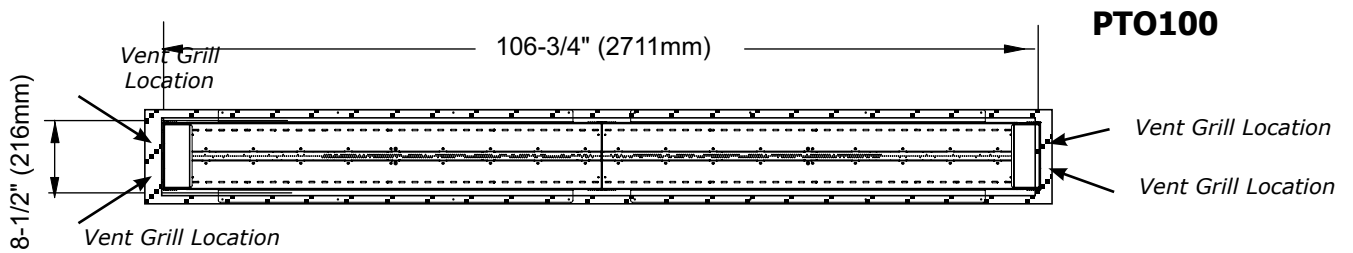
SIDE VIEW

END VIEW

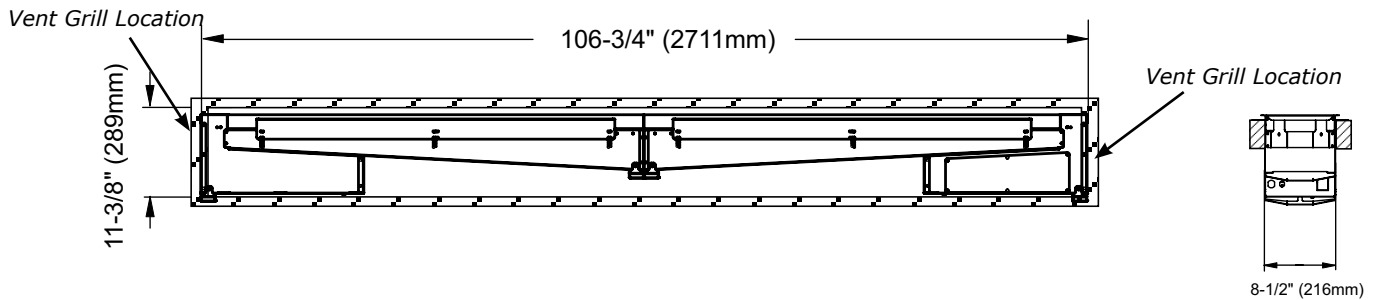
NOTE: PTO80 - Four (4) ventilation grills are required for all enclosures. The ventilation grill(s) must be placed at either end as shown to allow the air to circulate from one end to the other.

This is to alleviate moisture and allow for air to circulate. Minimum recommended size 20" sq (508 mm²) ea.

The ventilation grills must be located at the ends of the burner as shown.



TOP VIEW



SIDE VIEW

END VIEW

NOTE: PTO100 - Four (4) ventilation grills are required for all enclosures. The ventilation grill(s) must be placed at either end as shown to allow the air to circulate from one end to the other. This is to alleviate moisture and allow for air to circulate. Minimum recommended size 20" sq (508 mm²) **ea.** The ventilation grills must be located at the ends of the burner as shown.