

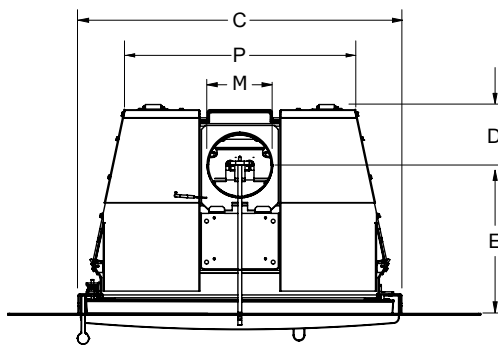
i3000 Wood Fireplace Insert

Model	i3000
Maximum BTU's	85,000 BTU's
Emissions (grams/hr) EPA Certified	0.95 gram/hr
Efficiency (EPA HHV)	78%
Efficiency (EPA LHV)	84%
Flue Size	6" (152mm)
Maximum Log Size	20" (508 mm)
Firebox Size	2.75 cu.ft.

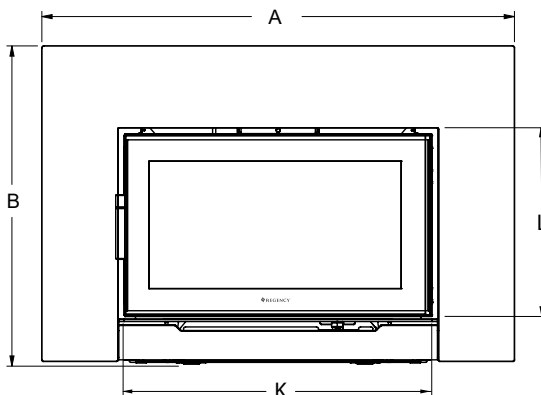


CONTEMPORARY FACEPLATE OPTION

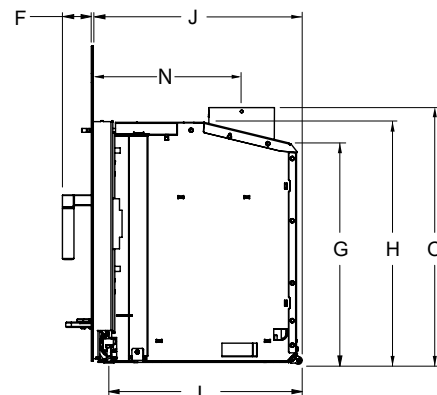
TOP VIEW



FRONT VIEW



SIDE VIEW



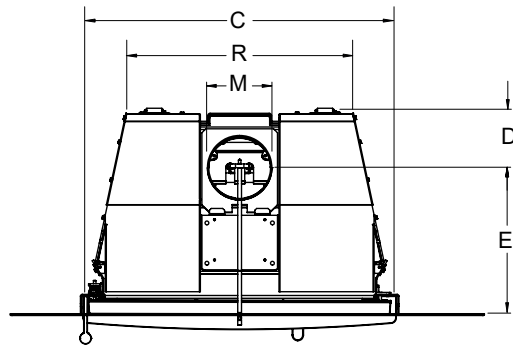
A	45-3/4" (1162 mm)
B	31" (787 mm)
C	31-5/8" (803 mm)
D	5-13/16" (147 mm)
E	14-9/16" (370 mm)
F	2-5/16" (59 mm)

G	21-5/8" (549 mm)
H	23-13/16" (605 mm)
I	18-7/8" (479 mm)
J	20-3/8" (517 mm)
K	30" (762 mm)
L	17-13/16" (452 mm)

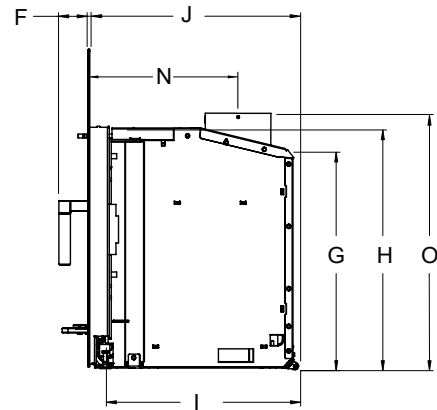
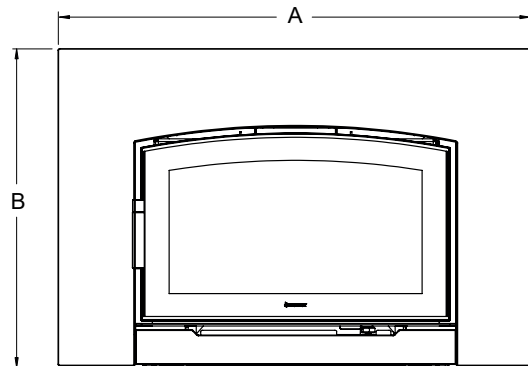
M	6" (152 mm)
N	14-9/16" (370 mm)
O	25" (635 mm)
P	22-1/2" (571 mm)

ALL PICTURES / DIAGRAMS SHOWN THROUGHOUT THIS MANUAL ARE FOR ILLUSTRATION PURPOSES ONLY. ACTUAL PRODUCT MAY VARY DUE TO PRODUCT ENHANCEMENTS.

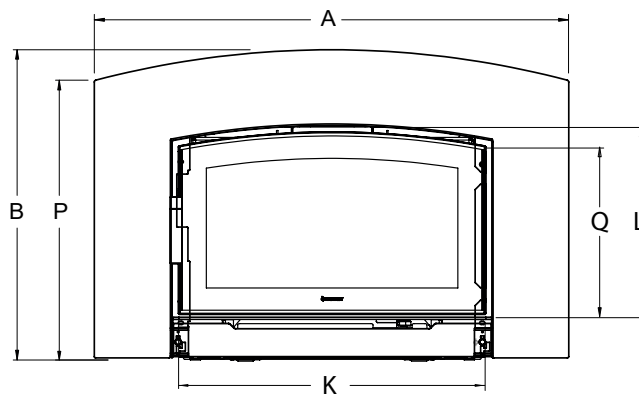
CLASSIC & ARCHED FACEPLATE OPTIONS



Classic



Arched



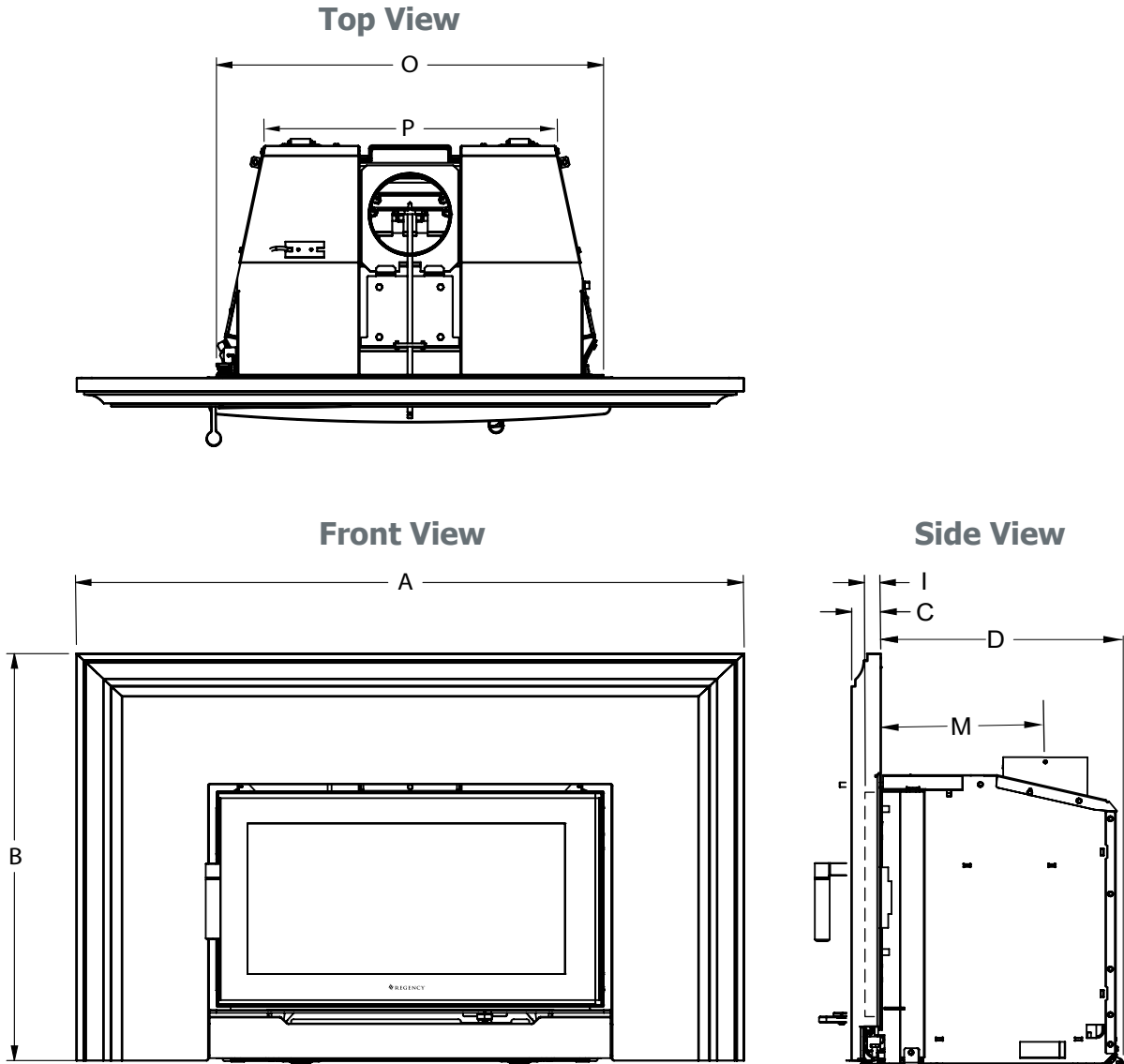
Glass viewing area = 495.75 square inches

A	46-1/8" (1172 mm)
B	31" (787 mm)
C	31-5/8" (803 mm)
D	5-13/16" (147 mm)
E	14-9/16" (370 mm)
F	2-15/16" (74 mm)
G	21-5/8" (549 mm)
H	23-13/16" (604 mm)
I	18-7/8" (479 mm)

J	20-3/8" (518 mm)
K	30" (762 mm)
L	18-7/16" (468 mm)
M	6" (152 mm)
N	14-9/16" (370 mm)
O	25" (635 mm)
P	28" (711 mm)
Q	17" (432 mm)
R	22-1/2" (571 mm)

FACEPLATE WITH TRADITIONAL EXTRUSION

FACEPLATE WITH TRADITIONAL EXTRUSION OPTION



*Allows unit to fit into a 30 1/2" wide and 19" deep opening.

A	51-3/4" (1314 mm)
B	33-7/8" (860 mm)
C	2-1/4" (57 mm)
D	18-1/2" (470 mm)

E	46-3/4" (1187 mm)
F	31-1/8" (790 mm)
G	1-3/4" (45 mm)
H	19" (483 mm)

I**	2" (51 mm)
J**	1-1/2" (38 mm)
K	44-3/4" (1136 mm)
L	30-1/4" (768 mm)
M	13-3/16" (335 mm)
N	12-11/16" (322 mm)
O	30" (762 mm)
P	22-5/8" (575 mm)

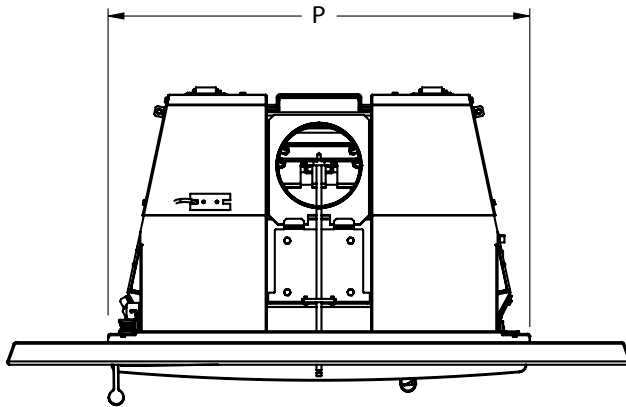
NOTE: These can only be installed on Contemporary or Classic Faceplates

**The dotted lines refer to fuel door opening from back of traditional extrusion

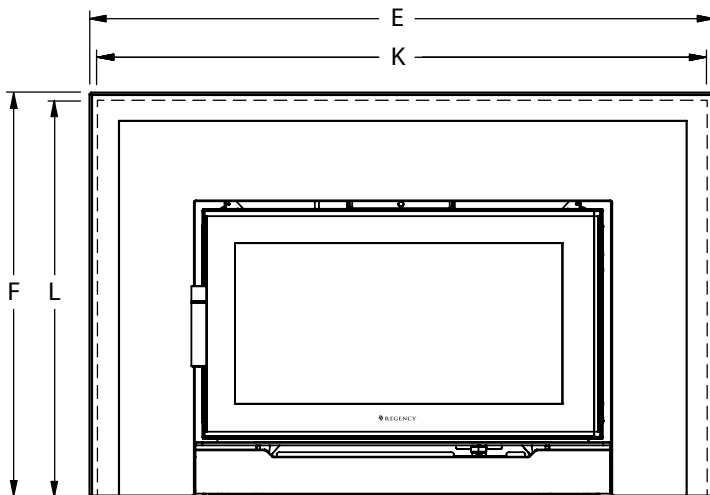
FACEPLATE WITH PREMIUM SURROUND OPTION

FACEPLATE WITH PREMIUM SURROUND OPTION

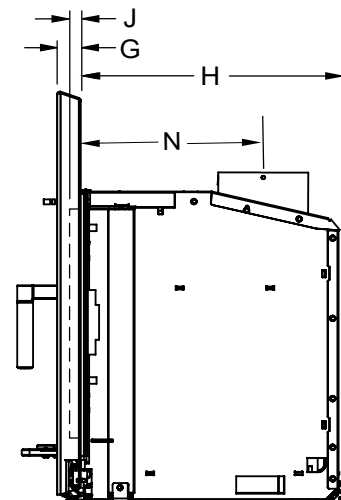
Top View



Front View



Side View



*Allows unit to fit into a 32" wide and 19" deep opening.

A	51-3/4" (1314 mm)
B	33-7/8" (860 mm)
C	2-1/4" (57 mm)
D	18-1/2" (470 mm)

E	46-3/4" (1187 mm)
F	31-1/8" (790 mm)
G	1-3/4" (45 mm)
H	19" (483 mm)

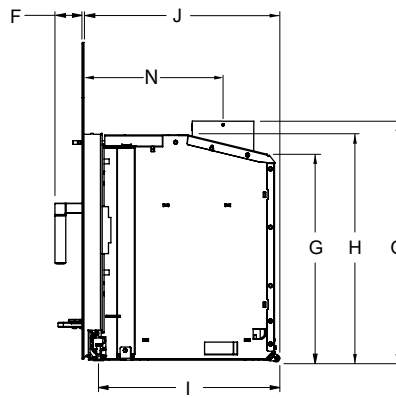
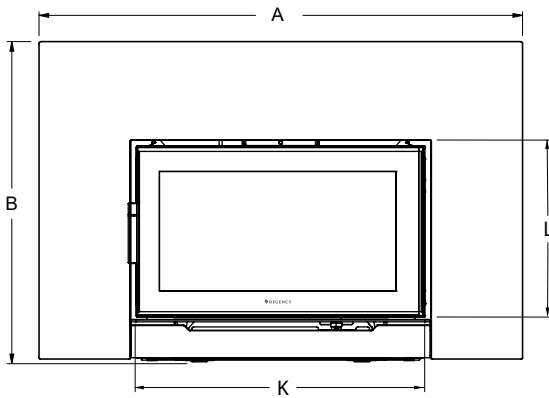
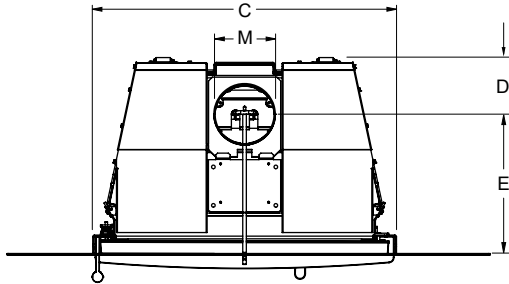
I**	2.0" (51 mm)
J**	1-1/2" (38 mm)
K	44-3/4" (1136 mm)
L	30-1/4" (768 mm)
M	13-3/16" (335 mm)
N	12-11/16" (322 mm)
P	31-5/8" (803mm)

NOTE: These can only be installed on Contemporary or Classic Faceplates

**The dotted lines refer to fuel door opening from back of the premium surround.

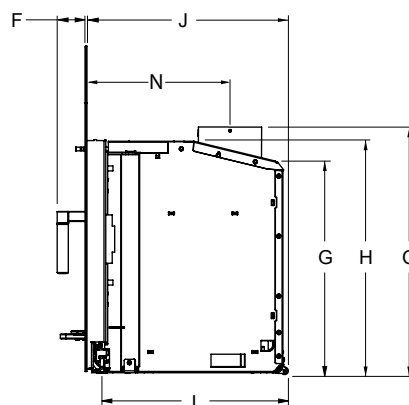
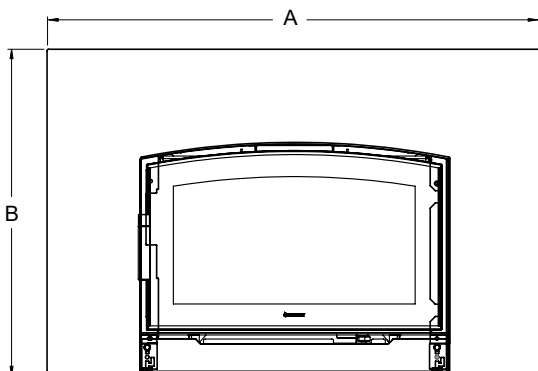
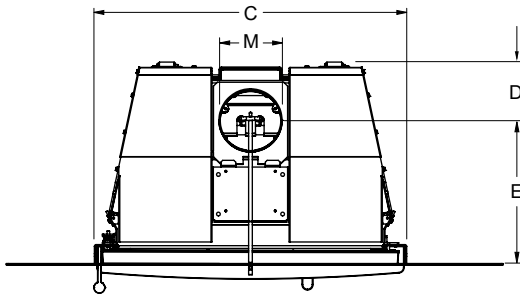
OVERSIZE FACEPLATE OPTIONS

CONTEMPORARY



A	50-1/4" (1276 mm)
B	33-1/4" (845 mm)
C	31-5/8" (803 mm)
D	5-13/16" (147 mm)
E	14-9/16" (370 mm)
F	2-5/16" (59 mm)
G	21-5/8" (549 mm)
H	23-13/16" (605 mm)
I	18-7/8" (479 mm)
J	20-3/8" (517 mm)
K	30" (762 mm)
L	17-13/16" (452 mm)
M	6" (152 mm)
N	14-9/16" (370 mm)
O	25" (635 mm)

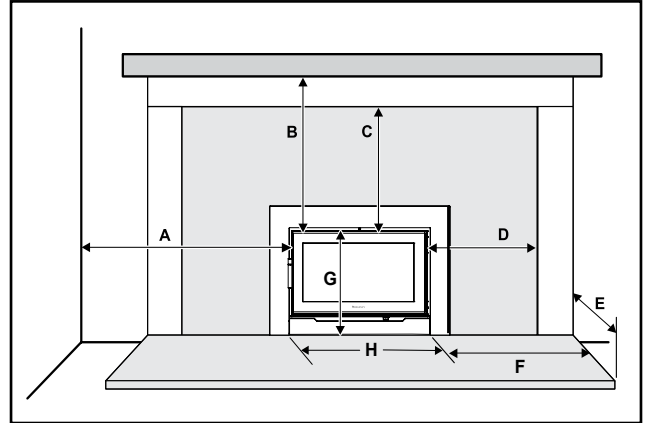
CLASSIC



MASONRY FIREPLACE CLEARANCES

The minimum required clearances to combustible materials when installed into a masonry fireplace are listed below.

ITEM	MEASUREMENT	DESCRIPTION
A	15-1/2" (394 mm)	Adjacent side wall to side of door
B	15" (381 mm) for 3" (76 mm) mantel 20-1/2" (521 mm) for 12" (305 mm) mantel	Mantel** to top of Door
C	13-3/4" (349 mm)	Top facing to top of Door*
D	11-3/4" (298 mm)	Side facing to side of Door*
E	16" (406 mm) USA 18" (457 mm) Canada	Minimum hearth extension***
F	8" (203 mm)	Minimum hearth side extension***
G	23-1/2" (597 mm)	To top of Door (Reference Dimension Only)
H	30" (762 mm)	From Side of Door (Reference Dimension Only)



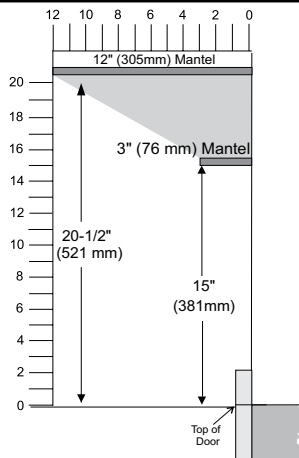
Clearance diagram for installations

NOTE: SHOWN WITH RECTANGULAR DOOR. ARCH DOOR CLEARANCES ARE EXACTLY THE SAME.

*****Both Canada/USA:**

Minimum Hearth Extension for the front (E) is measured from the fuel door opening. (F) measurement (minimum hearth side extension) is taken from the side of the door.

**The mantel can be installed anywhere in the shaded area or higher, using the above scale.



- NOTES**
- *If there is only a top facing (C) and no side facing (D), refer to (B) mantel (to top of unit) clearance requirements. Side facing (D) and top facing (C) is 1-1/2" (38 mm) thick, maximum.
 - Ensure the paint that is used on the mantel and the facing is heat resistant, or the paint may discolour.

Floor Protection

Floor thermal insulation/protection with an R value of 2.8 is required if the unit is raised 0 to 6" (152 mm) measured from the bottom of the appliance. Thermal floor protection is not required when unit is raised greater than 6" (152 mm) measured from the bottom of the appliance.

However ember protection is still required. Non-combustible material such as brick, tile, concrete board, etc. or certified to UL-1618 Type 1 or as defined by local codes. Type 1 Hearth pad extensions typically provide protection from embers only, but won't provide thermal protection from the heat of the appliance.

Please check to ensure that your floor protection and hearth will meet the standards for clearance to combustibles. Your hearth extension must be made from a non-combustible material extending 16" (406 mm) for US and 18" (457 mm) for Canada—measured from the fuel loading door.

Wood Insert Specifications

Your fireplace opening requires the following minimum sizes:

Dimensions	Contemporary/Classic/ Arched Faceplates	Classic/Contemporary Faceplate with Traditional Extrusion	Classic/Contemporary Faceplate with Premium Surround
HEIGHT	24" (610 mm)	24" (610 mm)	24" (610 mm)
WIDTH	32" (813 mm)	30-1/2" (775 mm)	32" (813 mm)
DEPTH	21" (533 mm)	19" (483 mm)	19-1/2" (496 mm)

Model # Reference

i3000A = Wood Fireplace Insert with Arched Door
i3000R = Wood Fireplace Insert with Rectangular Door

HOW TO DETERMINE IF ALTERNATE FLOOR PROTECTION MATERIALS ARE ACCEPTABLE

The specified floor protector should be 3/8" (18mm) thick material with a K - factor of 0.84.

The proposed alternative is 4" (100mm) brick with a C-factor of 1.25 over 1/8" (3mm) mineral board with a K-factor of 0.29.

Step (a):

Use formula above to convert specification to R-value.

$$R = 1/k \times T = 1/0.84 \times .75 = 0.893.$$

Step (b):

Calculate R of proposed system.

4" brick of C = 1.25, therefore

$$R_{\text{brick}} = 1/C = 1/1.25 = 0.80$$

1/8" mineral board of k = 0.29, therefore

$$R_{\text{min.bd.}} = 1/0.29 \times 0.125 = 0.431$$

$$\text{Total R} = R_{\text{brick}} + R_{\text{mineral board}} = 0.8 + 0.431 = 1.231.$$

Step (c):

Compare proposed system R of 1.231 to specified R of 0.893. Since proposed system R is greater than required, the system is acceptable.

DEFINITIONS

Thermal Conductance:

$$C = \frac{\text{Btu}}{(\text{hr})(\text{ft}^2)(^{\circ}\text{F})} = \frac{W}{(\text{m}^2)(\text{K})}$$

Thermal Conductivity:

$$k = \frac{(\text{Btu})(\text{inch})}{(\text{hr})(\text{ft}^3)(^{\circ}\text{F})} = \frac{W}{(\text{m})(\text{K})} = \frac{\text{Btu}}{(\text{hr})(\text{ft})(^{\circ}\text{F})}$$

Thermal Resistance:

$$R = \frac{(\text{ft}^2)(\text{hr})(^{\circ}\text{F})}{\text{Btu}} = \frac{(\text{m}^2)(\text{K})}{W}$$

INSTALLATION INTO A MASONRY FIREPLACE

Regency Inserts are constructed with the highest quality materials and assembled under strict quality control procedures that ensure years of trouble-free, reliable performance. It is important that you read this manual thoroughly and fully understand safe installation and operating procedures. The more you understand the way your Regency Insert operates, the more enjoyment you will experience from knowing that your unit is operating at peak performance.

WARNING: The room heater shall not be installed in a factory-built fireplace.

BEFORE INSTALLING YOUR INSERT

1. Please read this entire manual before you install and use your new wood insert. Failure to follow instructions may result in property damage, bodily injury, or even death. Install and use only in accordance with manufacturer's installation and operating instructions.

2. Check your local building codes - Building Inspection Department. You may need a permit before installing your insert. Be aware that local codes and regulations may override some items in the manual.
3. Notify your home insurance company that you plan to install a fireplace insert or hearth heater.
4. Your fireplace insert is heavy and requires two or more people to move it safely. The insert can be badly damaged by mishandling.

WARNING Careless installation is the major cause of safety hazard. Check all local building and safety codes before installation of unit.

5. If your existing fireplace damper control is inaccessible with your Regency Insert installed, you should either remove or secure it in the open position.
6. Inspect your fireplace and chimney prior to installing your insert to ensure it is free from cracks, loose mortar, or other signs of damage. If repairs are required, they should be completed before installing your insert. Do not remove bricks or mortar from your masonry fireplace.
7. Do not connect the insert to a chimney system servicing another appliance or an air distribution duct.

When referencing installation or connection to masonry fireplaces or chimneys, the masonry construction must be code compliant.

CHIMNEY SPECIFICATIONS

Before installing, check and clean your chimney system thoroughly. If in doubt about its condition, seek professional advice. Your Regency Insert is designed for installation into a masonry fireplace that is constructed in accordance with the requirements of "The Standard for Chimneys, Fireplaces, Vents, and Solid Fuel Burning Appliance", N.F.P.A. 211, the National Building Code of Canada, or the applicable local code requirements.

The appliance, when installed, must be electrically grounded in accordance with local codes or, in the absence of local codes, with the National Electrical Code, ANSI/NFPA 70, or the Canadian Electrical Code, CSA C22.1. Regency Inserts are designed to use either a 5-1/2" (140 mm) or 6" (152 mm) flue. This insert must be connected to a code-approved masonry chimney or listed factory-built fireplace chimney with a direct flue connector into the first chimney liner section. The chimney size should not be larger or smaller than three times greater than the cross-sectional area of the flue collar.

ULC628-2022 - Canada

This fireplace insert must be installed with a continuous chimney liner liner of 5.5 or 6 inch diameter extending from the fireplace insert to the top of the chimney. The chimney liner must conform to the class 3 requirements of CAN/ULS-S635 Standard for lining systems for existing Masonry or factory built chimneys and vents or to the requirements of CAN/ULC-S640, Standard for lining systems for new masonry chimneys.

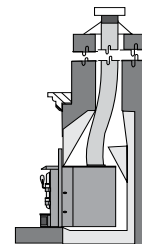
UL1482-2022 - U.S.A

A chimney complying with the requirement for type HT chimneys in the standard for chimneys, factory built residential and building heating appliance UL103 or a code approved masonry chimney liner with a flue liner.

This fireplace insert must be installed with a continuous chimney liner liner of 5.5 or 6 inch diameter extending from the fireplace insert to the top of the chimney. When this room heater is not properly installed, a house fire may result. To reduce the risk of fire follow the installation instructions. Contact local building or fire official as about restrictions and installation requirements in your area.

DRAFT

Draft is the force which moves air from the appliance up through the chimney. The amount of draft in your chimney depends on the length of the chimney, local geography, nearby obstructions and other factors. Too much draft may cause excessive temperatures in the appliance, resulting in damage. An uncontrollable burn or excessive temperature indicates excessive draft. Inadequate draft may cause back puffing into the room and plugging of the chimney. Inadequate draft will cause the appliance to leak smoke into the room through appliance and chimney connector joints. Ensure the heater is installed in areas that are not too close to neighbors, or in valleys that would cause unhealthy air quality or nuisance conditions.



Recommended chimney height from top of flue collar:
Minimum 15 feet (4.6 meters)

Note: If the fireplace has been modified to accommodate a fireplace liner, the installer is to attach the metal tag to the fireplace using screws or nails, in a location readily visible should the fireplace insert be removed. A metal tag is supplied with this wood insert.

IMPORTANT:

Smoke and CO Detectors:

Make sure your home has a working smoke and CO detector, especially near any bedrooms. We recommend having a smoke and CO detector in the same room as the wood appliance for additional safety. Location of both detectors should be chosen wisely to avoid false alarms when reloading the appliance.

Fire Extinguisher:

A fire extinguisher should be installed in the home. The location of the fire extinguisher should be known by all family members.

REFACING OF I3000 USING STEEL STUDS AND CONCRETE BOARD OVER MASONRY FIREPLACE FRONT ONLY

The front brick facing may be removed and replaced with non-combustible materials such as steel studs and concrete board/durarock/micor board, or other similar non combustible materials. The opening between the firebox and non-combustible materials must be sealed to ensure that heat from the wood insert cannot exit between the insert's face and the re-facing materials. Roxul insulation must be used to fill the void between the steel stud work, concrete board,durarock/micor board, or similar materials and brick face. Use finishing materials such as tile, stone, brick, or similar non combustible materials only. Use only non combustible materials that are uniform so that when the unit is positioned, there are no visible gaps on the sides and or top of the surround.

Non combustible material must run the full width and height of the masonry chimney. No portion of this addition may be constructed with combustible material. Steel studs must be anchored either to the masonry chimney structure and secured above at ceiling level and below on the hearth, or a finished floor depending on the hearth (flush or raised up).

NOTE Be aware that local codes and regulations may override some items in the manual.

