



Classic™ i2450-2 Wood Fireplace Insert

Owners & Installation Manual



MODEL: i2450-2

Tested & listed by:



0219WN034S

Installer: Please complete the details on the back cover
and leave this manual with the homeowner.
Homeowner: Please keep these instructions for future reference.

Thank you for purchasing a
REGENCY FIREPLACE PRODUCT.

The pride of workmanship that goes into each of our products will give you years of trouble-free enjoyment. Should you have any questions about your product that are not covered in this manual, please contact the **REGENCY DEALER** in your area.

"This wood heater has a manufacturer set minimum low burn rate that must not be altered. It is against federal regulations to alter this setting or otherwise operate this wood heater in a manner inconsistent with operating instructions in this manual." Failure to follow the manual details can lead to smoke and CO emissions spilling into the home. It is recommended to have monitors in areas that are expected to generate CO such as heater fueling areas.

"U.S. ENVIRONMENTAL PROTECTION AGENCY Certified to comply with 2020 particulate emission standards using crib wood." Tested to Method 28R, E2780-10, E2515-11. Model Regency i2450-2 1.6 g /hr.

"This manual describes the installation and operation of the Regency i2450-2 wood heater. This heater meets the 2020 U.S. Environmental Protection Agency's crib wood emission limits for wood heaters. Under specific test conditions this heater has been shown to deliver heat at rates ranging from 12,900 Btu/hr to 30,000 Btu/hr." Efficiency is determined using the B415 method resulting in lower and higher heat values. This heater generates the best efficiency when operated using well-seasoned wood and installed in the main living areas where the majority of the chimney is within the building envelope. "

It is against federal regulation to operate this wood heater in a manner inconsistent with operating instructions in this manual, or if elements are deactivated or removed."

CAUTION: BURN UNTREATED WOOD ONLY. OTHER MATERIALS SUCH AS WOOD PRESERVATIVES, METAL FOILS, COAL, PLASTIC, GARBAGE, SULPHUR OR OIL MAY DAMAGE THE HEATER.

"This heater is designed to burn natural wood only. Higher efficiencies and lower emissions generally result when burning air dried seasoned hardwoods, as compared to softwoods or to green or freshly cut hardwoods."

DO NOT BURN:

- Treated wood
- Coal
- Garbage
- Cardboard
- Solvents
- Colored Paper
Bio Bricks
- Trash
- **Lawn clippings or yard waste**
- **Materials containing rubber including tires**
- **Materials containing plastic**
- **Waste petroleum products , paints or paint thinners or asphalt products**
- **Materials containing asbestos**
- **Construction or demolition debris**
- **Railroad ties**
- **Manure or animal remains**
- **Saltwater driftwood or other previously salt water saturated materials**
- **Unseasoned wood**
- **Paper products, cardboard, plywood or particleboard. The prohibition against burning these materials does not prohibit the use of fire starters made from paper, cardboard, saw dust, wax and similar substances for the purpose of starting a fire in a wood heater.**

Burning these materials may result in release of toxic fumes or render the heater ineffective and cause smoke.

The authority having jurisdiction (such as Municipal Building Department, Fire Department, Fire Prevention Bureau, etc.) should be consulted before installation to determine the need to obtain a permit.

ULC628-2022 - Canada

This fireplace insert must be installed with a continuous chimney liner of 5.5 or 6 inch diameter extending from the fireplace insert to the top of the chimney. The chimney liner must conform to the class 3 requirements of CAN/ULS-S635 Standard for lining systems for existing Masonry or factory built chimneys and vents or to the requirements of CAN/ULC-S640, Standard for lining systems for new masonry chimneys.

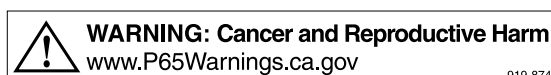
UL1482-2022 - U.S.A

A chimney complying with the requirement for type HT chimneys in the standard for chimneys, factory built residential and building heating appliance UL103 or a code approved masonry chimney liner with a flue liner. This fireplace insert must be installed with a continuous chimney liner of 5.5 or 6 inch diameter extending from the fireplace insert to the top of the chimney.

When this room heater is not properly installed, a house fire may result. To reduce the risk of fire follow the installation instructions. Contact local building fire official as about restrictions and installation requirements in your area.

i2450-2 is certified to CAN/ULC 628-2022 and UL 1482-2022.

SAVE THESE INSTRUCTIONS



safety label

Safety Label For i2450-24

unit dimensions

Unit Dimensions5

installation

Masonry Fireplace Clearances6
 Installation into a Masonry Fireplace.....7
 Before Installing Your Insert.....7
 Chimney Specifications7
 Optional Flue Connector Kit.....7
 Installing Your Insert.....9
 Stainless Steel Smoke Deflector Installation.....10
 Faceplate and Trim Installation.....11
 Flue Collar Removal and Installation12
 Fan Installation14
 Floor Protection.....15
 Flue Baffle &Secondary Air Tube Installation.....15
 Glass Replacement15
 Wood Door & Handle Assembly16
 Brick Installation17
 Seasoned Wood18

operating instructions

Operating Instructions 19
 Draft Control..... 19
 First Fire 19
 Fan Operation 20
 Ash Disposal 20
 Safety Guidelines and Warnings..... 20

maintenance

Maintenance21
 Creosote 21
 Door Gasket..... 21
 Glass Maintenance 21
 Wood Storage 21
 Latch Adjustment 21
 Removing Wooden Handle 21
 Do Not Burn 22
 Annual Maintenance 24

parts list

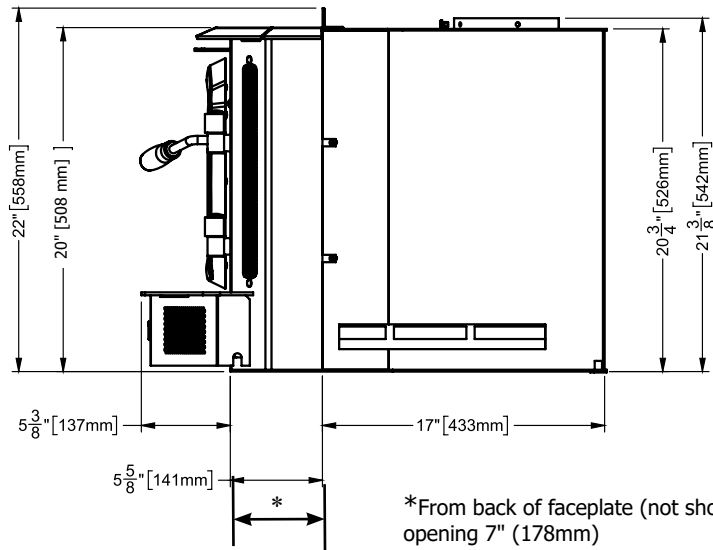
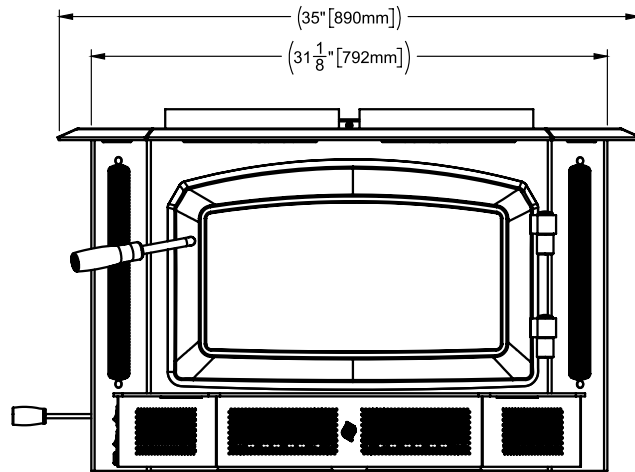
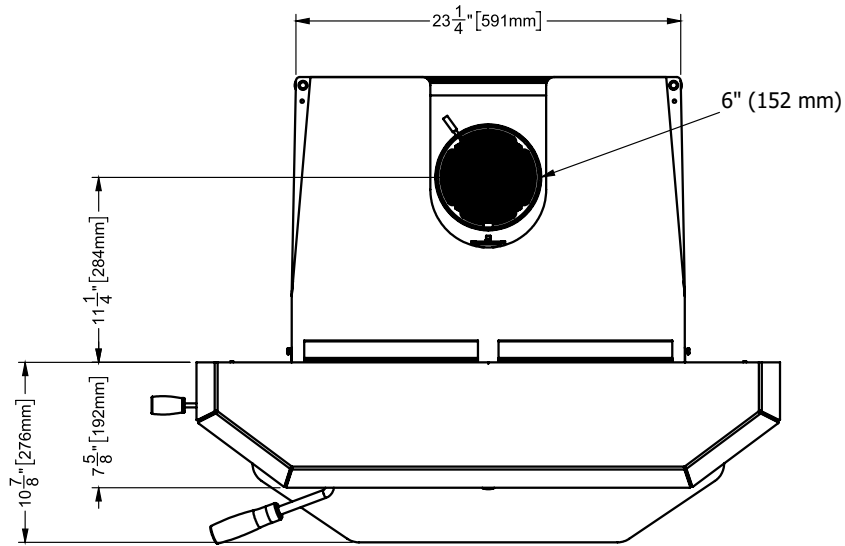
Main Assembly & Options - i2450-2 25
 Faceplates - i2450-2 26
 Brick Panels - i2450-2 27

warranty

Warranty 28
 Recycling 32

CAUTION: To avoid burns or wood splinters, when opening/closing the fuel door or adding wood to the fire, You should always wear appropriate protective gloves to protect your hands from the heat being emitted from this fireplace.

ALL PICTURES / DIAGRAMS SHOWN THROUGHOUT THIS MANUAL ARE FOR ILLUSTRATION PURPOSES ONLY. ACTUAL PRODUCT MAY VARY DUE TO PRODUCT ENHANCEMENTS.



6 | installation

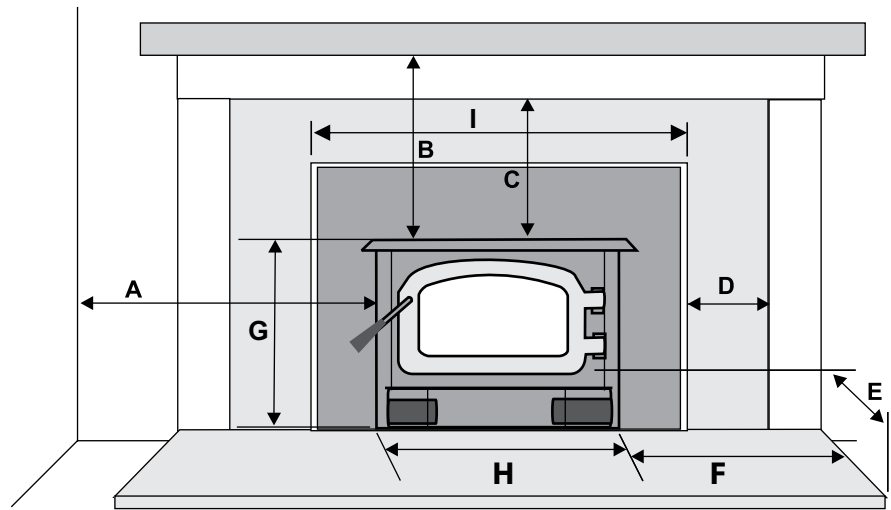
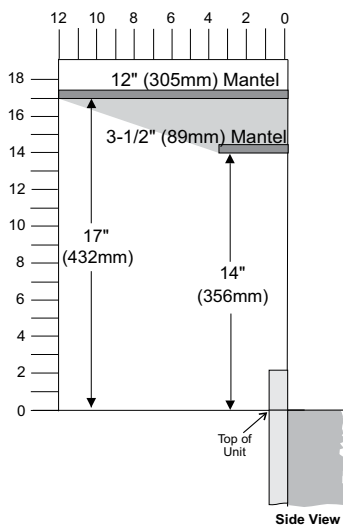
Masonry Fireplace Clearances

The minimum required clearances to combustibles when installed into a masonry fireplace are listed below.

Unit i2450-2	Adjacent Side Wall (to Side) A	Mantle ** (to Top of Unit) B	Top Facing (to Top of Unit) C	Side Facing D	Minimum Hearth Extension* E	Minimum Hearth Side Extension* F	To Top of Unit (Reference Dimension only) G	From Side of Unit (Reference Dimension only) H	Faceplate Width (Reference Dimension only) I
	12" (305mm)	14" (356 mm) for 3-1/2" (89mm) mantel 17" (432 mm) for 12" (305mm) mantel	14" (356mm)	1/2"(13mm) to side surround/faceplate	16" (406mm) USA 18"(457mm) Canada	8" (203mm)	20" (508mm)	31-1/8" (791 mm)	Regular Faceplate 40" (1016 mm) Oversize Faceplate 48" (1219 mm)

Side and Top facing is a maximum of 1-1/2" (38mm) thick.

Note : If top/side facing trim protrudes more than 1-1/2"(38 mm) follow mantle (B)** & adjacent side wall (A) for proper clearances.



CLEARANCES ARE CRITICAL

**Mantel can be installed anywhere in shaded area or higher using the above scale.

Note: Ensure the paint that is used on the mantel and the facing is "heat resistant" or the paint may discolour.

*Floor Protection

Floor thermal insulation/protection (Type 2) with a R value of 1.4 is required if the unit is raised 0 - 2-1/2" (0-64 mm) (measured from the bottom of the appliance).

Thermal floor protection (Type 1) is not required when unit is raised greater than 2-1/2" (64 mm) (measured from the bottom of the appliance).

Please check to ensure that your floor protection and hearth will meet the standards for clearance to combustibles. Your hearth extension must be made from a non-combustible material.

F measurement (minimum hearth extension) is taken from the side of the appliance for both U.S.A/Canada.

Extending 16" (406 mm) for US and 18" (457 mm) for Canada—measured from the fuel loading door opening.

WOOD INSERT SPECIFICATIONS

Your fireplace opening requires the following minimum sizes:

- Height:** 21-1/2" (546 mm)
- Width:** 25" (635 mm)
- Depth:** 17" (432 mm)

Two faceplates are available to seal the fireplace opening:

- Regular**
W 40" (1 016 mm) x H 30" (762 mm)
- Oversize**
W 48" (1 219 mm) x H 33" (838 mm)

Installation into a Masonry Fireplace

Regency Inserts are constructed with the highest quality materials and assembled under strict quality control procedures that insure years of trouble free and reliable performance.

It is important that you read this manual thoroughly and fully understand the safe installation and operating procedures. The more you understand the way your Regency Insert operates, the more enjoyment you will experience from knowing that your unit is operating at peak performance.

WARNING: The room heater shall not be installed in a factory-built fireplace.

Before Installing Your Insert

1. Please read this entire manual before you install and use your new wood insert. Failure to follow instructions may result in property damage, bodily injury or even death. Install and use only in accordance with manufacturer's installation and operating instructions.
2. Check your local building codes - Building Inspection Department. You may require a permit before installing your insert. **Be aware that local codes and regulations may override some items in the manual.**

WARNING: Careless installation is the major cause of safety hazard. Check all local building and safety codes before installation of unit.

3. Notify your home insurance company that you plan to install a fireplace insert or hearth heater.
4. Your fireplace insert is heavy and requires two or more people to move it safely. The insert can be badly damaged by mishandling.
5. If your existing fireplace damper control will become inaccessible once you have installed your Regency Insert, you should either remove or secure it in the open position.
6. Inspect your fireplace and chimney prior to installing your insert to determine that it is free from cracks, loose mortar or other signs of damage. If repairs are required, they should be completed before installing your insert. Do not remove bricks or mortar from your masonry fireplace.
7. **Do not connect the insert to a chimney system servicing another appliance or an air distribution duct.**

When referencing installation or connection to masonry fireplaces or chimneys, the masonry construction must or shall be code complying.

Chimney Specifications

Before installing, check and clean your chimney system thoroughly. If in doubt about its condition, seek professional advice. Your Regency Insert is designed for installation into a masonry fireplace that is constructed in accordance with the requirements of "The Standard for Chimneys, Fireplaces, Vents, and Solid Fuel Burning Appliance", N.F.P.A. 211, the National Building Code of Canada, or the applicable local code requirements.

The appliance, when installed, must be electrically grounded in accordance with local codes or, in the absence of local codes, with the National Electrical Code, ANSI/NFPA 70, or the Canadian Electrical code, CSA C22.1.

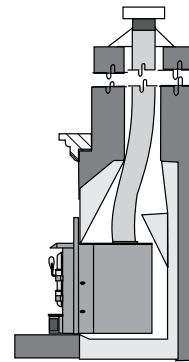
Regency Inserts are designed to use either a 5-1/2" (140 mm) or 6" (152 mm) flue.

ULC628-2022 - Canada
This fireplace insert must be installed with a continuous chimney liner liner of 5.5 or 6 inch diameter extending from the fireplace insert to the top of the chimney.
The chimney liner must conform to the class 3 requirements of CAN/ULS-S635 Standard for lining systems for existing Masonry or factory built chimneys and vents or to the requirements of CAN/ ULC-S640, Standard for lining systems for new masonry chimneys.

UL1482-2022 - U.S.A
A chimney complying with the requirement for type HT chimneys in the standard for chimneys, factory built residential and building heating appliance UL103 or a code approved masonry chimney liner with a flue liner.
This fireplace insert must be installed with a continuous chimney liner liner of 5-1/2 or 6 inch diameter extending from the fireplace insert to the top of the chimney.
When this room heater is not properly installed, a house fire may result. To reduce the risk of fire follow the installation instructions. Contact local building or fire official as about restrictions and installation requirements in your area.

Draft

Draft is the force which moves air from the appliance up through the chimney. The amount of draft in your chimney depends on the length of the chimney, local geography, nearby obstructions and other factors. Too much draft may cause excessive temperatures in the appliance and may cause damage. An uncontrollable burn or excessive temperature indicates excessive draft. Inadequate draft may cause back puffing into the room and plugging of the chimney. Inadequate draft will cause the appliance to leak smoke into the room through appliance and chimney connector joints. Ensure the heater is installed in areas that are not too close to neighbors or in valleys that would cause unhealthy air quality or nuisance conditions.



Recommended chimney height from top of flue collar:
 Minimum 15 feet (4.6 meters)

NOTE Note: If the fireplace has been modified to accommodate a fireplace liner, the installer is to attach the metal tag to the fireplace using screws or nails, in a location readily visible should the fireplace insert be removed. A metal tag is supplied with this wood insert.

IMPORTANT:
Smoke and CO Detectors:
 Make sure your home has a working smoke and CO detector, especially near any bedrooms. We recommend having a smoke and CO detector in the same room as the wood appliance for additional safety. Location of both detectors should be chosen wisely to avoid false alarms when reloading the appliance.
Fire Extinguisher:
 A fire extinguisher should be installed in the home. The location of the fire extinguisher should be known by all family members.

How to Determine if Alternate Floor Protection Materials are Acceptable

All floor protection must be noncombustible (i.e. metals, brick, stone, mineral fiber boards, concrete board etc.). The noncombustible floor protection specified includes some form of thermal designation such as R-value (thermal resistance) or k-factor (thermal conductivity).

Thermal Resistance: R Value

The R value is a measure of a material's resistance to heat transfer. R value is convenient when more than one material is used since you can add the R values together, whereas you cannot do this for k value. The HIGHER the R factor means less heat is being conducted through the non-combustible material to the combustible material beneath it. The R value of a material must be equal or larger than the required R value to be acceptable.

Example : The specified floor protector should be 3/8" (18mm) thick material with a K - factor of 0.84. The proposed alternative is 4" (100mm) brick with a C-factor of 1.25 over 1/8" (3mm) mineral board with a K-factor of 0.29.

Step (a):

Use formula above to convert specification to R-value.

$$R = 1/k \times T = 1/0.84 \times .75 = 0.893.$$

Step (b):

Calculate R of proposed system.

4" brick of C = 1.25, therefore

$$R_{\text{brick}} = 1/C = 1/1.25 = 0.80$$

1/8" mineral board of k = 0.29, therefore

$$R_{\text{min.bd.}} = 1/0.29 \times 0.125 = 0.431$$

$$\text{Total R} = R_{\text{brick}} + R_{\text{mineral board}} = 0.8 + 0.431 = 1.231.$$

Step (c):

Compare proposed system R of 1.231 to specified

R of 0.893. Since proposed system R is greater than required, the system is acceptable.

DEFINITIONS

Thermal Conductance:

$$C = \text{Btu} = W$$

$$(\text{hr})(\text{ft}^2)(\text{oF})(\text{m}^2)(\text{K})$$

Thermal Conductivity:

$$k = (\text{Btu})(\text{inch}) = W = \text{Btu}$$

$$(\text{hr})(\text{ft}^3)(\text{oF})(\text{m})(\text{K})(\text{hr})(\text{ft})(\text{oF})$$

Thermal Resistance:

$$R = (\text{ft}^2)(\text{hr})(\text{oF}) = (\text{m}^2)(\text{K})\text{Btu}$$

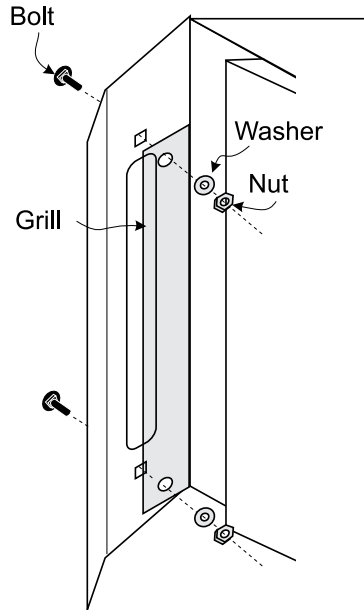
Installing Your Insert

Your insert is very heavy and will require two or three people to move it into position. The insert can be made a little lighter by removing the cast iron door by opening it and lifting it off its hinges. Be sure to protect your hearth extension with a heavy blanket or carpet scrap during the installation.

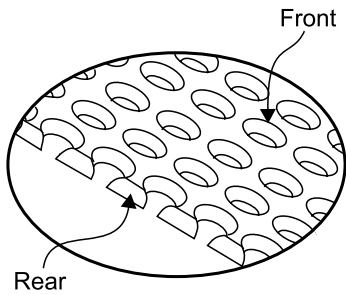
Convection Grills

The black convection grills are pre-installed on this appliance.

If the optional nickel grills are being used, remove the black grills and position the nickel grill on the inside body face side and fasten using the bolts, washers and nuts provided (2 per side) as shown in the diagrams.



View from Rear of Insert

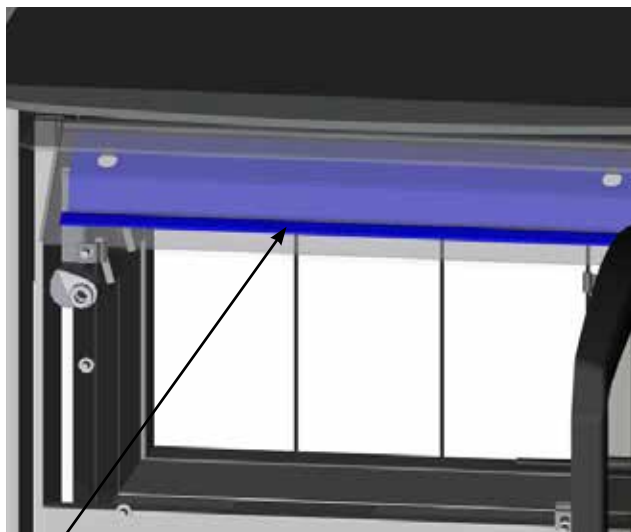


Note: The grill has a front and rear, the holes on the front side have rounded edges and the rear holes have flat edges.

Stainless Steel Smoke Deflector Installation

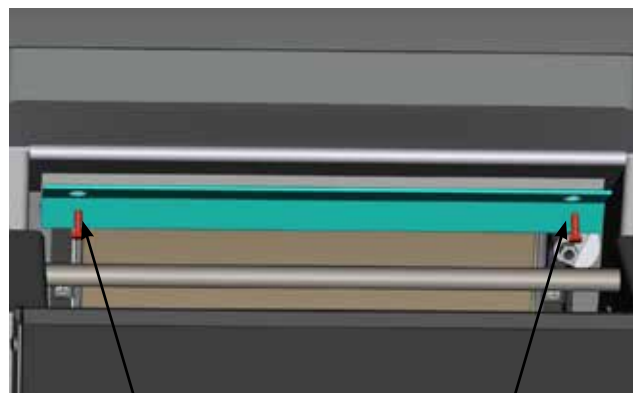
The stainless smoke deflector is located in the upper front area of the firebox. The deflector is held in place with 2 bolts. Prior to the first fire, ensure deflector is seated properly and secured with 2 hand tightened bolts.

IMPORTANT: There will also be a Vermiculite baffle on top of the stainless steel smoke deflector. Take care when removing the stainless steel smoke deflector as this vermiculite baffle is not visible.



Smoke deflector

Smoke deflector is installed through the door opening in location shown in diagram



Smoke deflector installed with 2 bolts.

Note: This is a view from the back of the unit through the top.

To replace the deflector, loosen off both bolts and slide deflector upward and out. Install new deflector and hand tighten bolts. Ensure positive location of the deflector prior to hand tightening.

WARNING: Operation of the unit with out proper installation of smoke deflector will void warranty.



Ensure deflector is seated so bolts are situated at the top of the keyhole before tightening.

Faceplate and Trim Installation

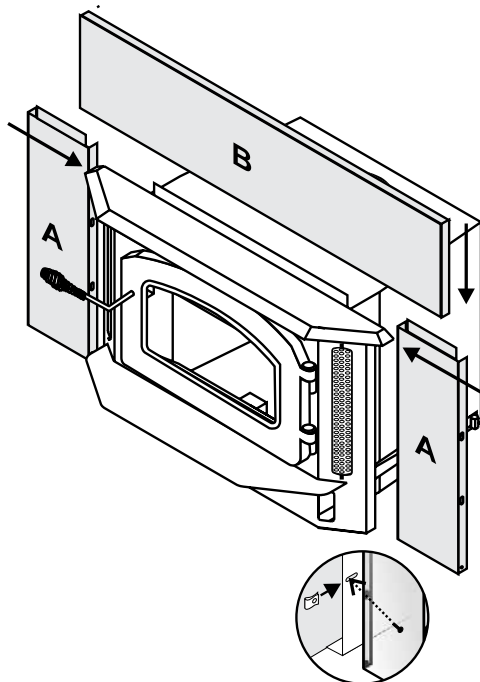
Your Faceplate kit contains:

- 1 Set Faceplate panel (top, left & right)
- 1 Set Trim (top, left, right)
- 2 pcs. insulation
- 4 spring nuts
- 4 1" screws
- 8 washers
- 2 screws - black
- 2 corner trim clips

Note: The Digital Monitor Operating Door tool Bracket and tool holder are supplied with the insert.

Prior to sliding your insert into its final position and attaching the connector or liner pipe, the faceplate must be installed as follows:

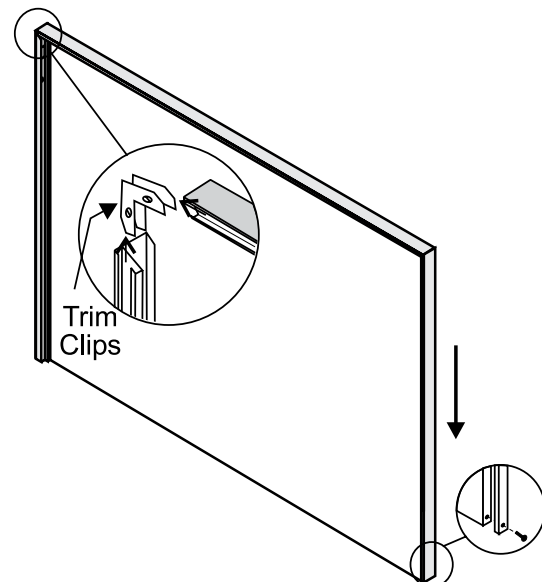
- 1) Slide the spring nuts (supplied) over the slots in the insert's side convection panels (the spring nuts may need to be squeezed with a pair of pliers first, to help them stay in position).
- 2) Screw the side faceplate panels, (item A in the diagram) one to each side. See diagram 1.



- 3) Using the top panel (item B - see diagram 1) as a gauge, check that the side panels are within approximately 1/4" of the overall width. If the difference is greater than this, use the supplied washers to attain the required width.
- 4) The unit may now be slid into final position and attached to the connection system.
- 5) Once connection is made, the insulation strips should be installed between the insert faceplates and the fireplace face.
- 6) The faceplate top may now be installed (with insulation strip behind) by aligning its brackets with the top flange on the side shields and the angle iron bar on the insert top.
- 7) The faceplate trim may be installed to the edge of the faceplate at this time. To permanently mount the trim, drill two 5/32" diameter holes through the trim and side panels and screw the trim to the panels using the gold plated screws provided.

Note: It may be easier to install the insulation, faceplate top and faceplate trim with the unit pulled slightly away from the fireplace face. If this is done, be very careful not to disturb the connector when shifting the unit to its final position.

- 8) Now that your insert is installed, check once more that all the clearances from the unit to any combustible materials are correct as listed earlier.



Flue Collar Removal and Installation

List of Tools required:

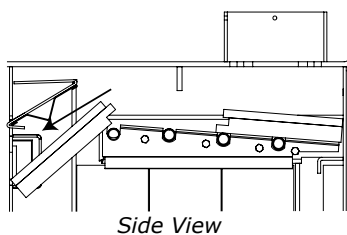
- Pull rod (supplied with unit)
- 1/2" socket / ratchet
- 3/8" open face wrench
- 7/16" socket / ratchet

NOTE: The removable flue collar is attached to the unit. If you need to remove the collar for ease of installation, please follow the below steps.

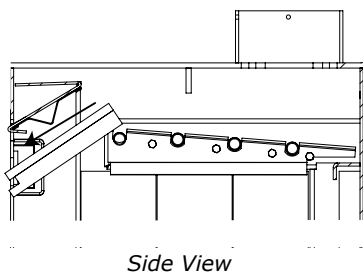
Note: unit in images may not be identical to the I2450-2, but they depict the process.

SAFETY NOTE: The insert is very heavy and will require two people to move it into position. The door and bricks can be removed to help. Be sure to protect your hearth extension with a heavy blanket or cardboard during the installation.

1. Allow the stove to burn out and cool down.
2. Slide the front baffle forward and tip it downwards as shown below and out of the firebox through the front door opening.



3. Repeat step 2 to remove back baffle.



4. For ease of access to the two bolts that secure the flue collar, grasp the very rear secondary air tube firmly with vise grips, using a hammer tap vise grips from right to left until air tube is released from grip. Also see instructions on air tube removal in this manual.

5. Use a 1/2" ratchet and remove the two bolts at back inside of the firebox. These bolts are used to secure the flue collar. Keep these and washers for re-install.

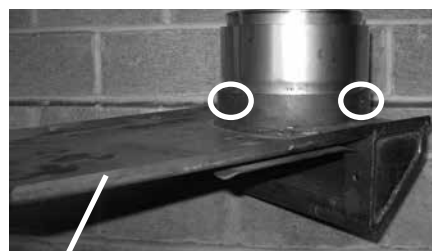


6. Install flex liner into existing chimney as per liner manufacturer's specifications. See Diagram 1.



Diagram 1 Flex Liner

7. Secure the adaptor to the flex liner with three screws. Ensure the adaptor is level and aligned correctly. See Diagram 2.



Flue Adaptor Diagram 2

8. Install the unit by first setting the rear of the unit into the fireplace. See Diagram 3. Ensure that the unit is centered in the existing fireplace and lined up with the flue adaptor.



Diagram 3

9. Slide the unit back until the flue adaptor is slightly engaged. At this point it is recommended to level the unit. This will keep the adaptor from binding.
10. Secure the threaded end into the flue adaptor as shown in diagram 4. While sliding the unit into place pull on the rod to ensure that the flue adaptor is properly engaged. See Diagram 5. Double check the adaptor is seated properly and the pull rod in the firebox, locate the two holes lined up to the two holes on the adaptor.

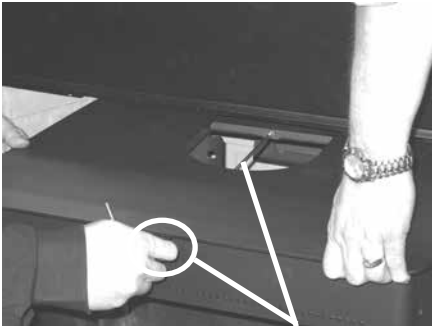
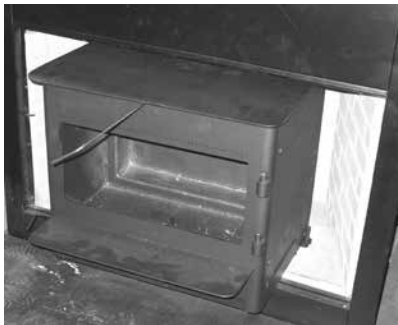


Diagram 4 Pull Rod



Pull Rod in place
Diagram 5

11. Use the two bolts, washers and lock washers removed in step 7 and install them, tighten down using the 1/2" socket to ensure the adaptor is installed.

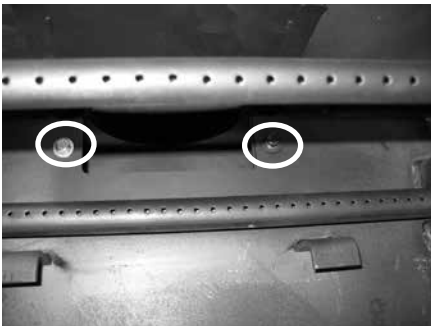


Diagram 6

12. Reverse steps to complete the installation.

Fan Installation

Installer: Please record unit serial number here before installing blower.

Serial No. _____

Your fan should only be installed once the unit is in place in order to prevent any damage to the fan. To attach, follow the instructions provided with the fan.

1. Align the fan support with the offset clip on the bottom of the ashlip.
2. Slide the supports into the clips. The tension holding the clips in place may be adjusted by increasing or decreasing the offset spacing of the clips.

3. Ensure that the power cord is not in contact with any hot stove surfaces.

NOTE: DO NOT ROUTE POWER CORD UNDER OR IN FRONT OF UNIT.

4. Push the Regency flame logo in the center of the fan housing.

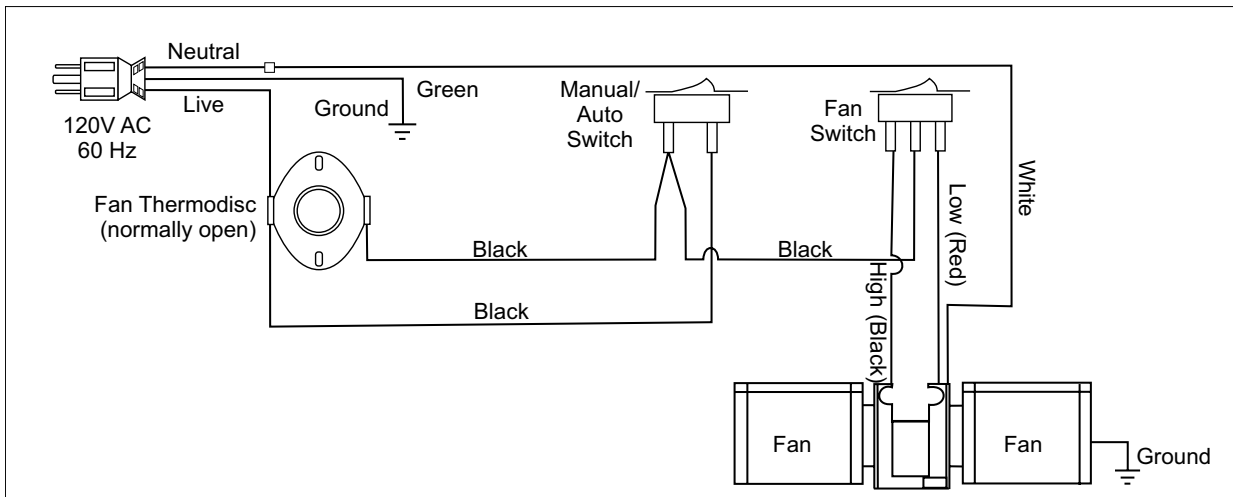
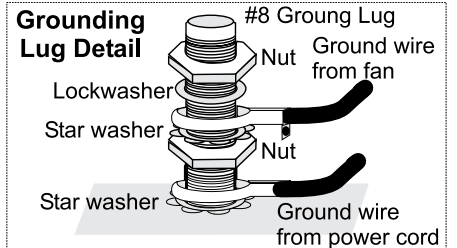
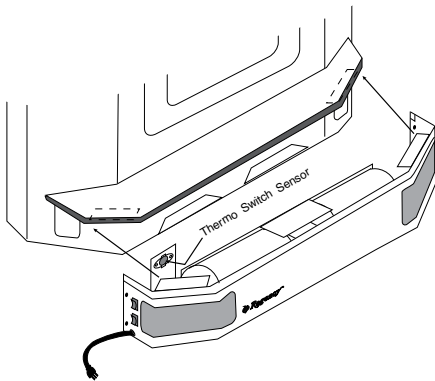
Do not turn fan <ON> until your insert has reached operating temperature or at least 30 minutes after starting fire.

CAUTION: Label all wires prior to disconnection when servicing controls. Wiring errors can cause improper and dangerous operation.

WARNING:
Electrical Grounding Instructions
 This appliance is equipped with a three pronged (grounding) plug for your protection against shock hazard and should be plugged directly into a properly grounded three-prong receptacle. Do not cut or remove the grounding prong from this plug.

Important:

The blower to this appliance must be turned off anytime the fuel door is opened. Prior to turning the blower back on, ensure there are no embers near the blower which may have fallen onto the hearth when the fuel door was opened. Once the fuel door is closed, the blower may be turned back on.



Blower/Fan Wiring Diagram

Floor Protection

Please check to ensure that your floor protection and hearth will meet the standards for clearance to combustibles. Your hearth extension must be made from a non-combustible material.

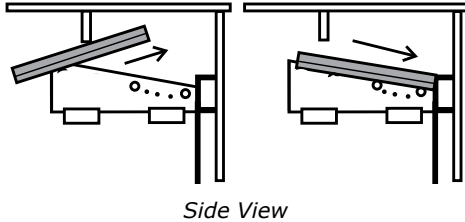
Flue Baffle Installation

The flue baffle system located in the upper area of the firebox is removable to make cleaning your chimney system easier. The baffles must be installed prior to your first fire. **Smoke spillage and draft problems may occur if the baffles are improperly positioned.** Check the position of the baffles on a regular basis as they can be dislodged if too much fuel is forced into the firebox.

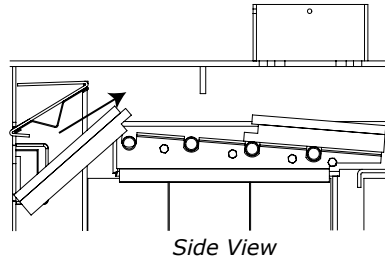
IMPORTANT: The set of baffles will also have insulation glued to the top of them. When installing the baffle, the insulation must be on top as per below diagrams.

The unit arrives with the 2 baffles on the floor of the firebox.

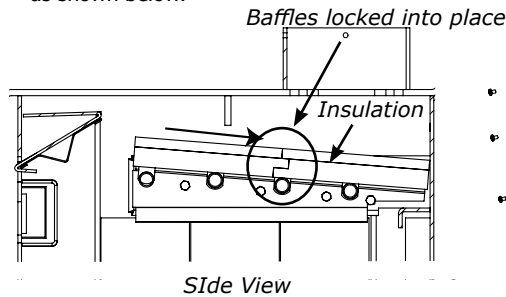
1. Slide the baffle over the 4 air tubes from the front and then push it to the back.



2. Install the second baffle over the 4 air tube from the front.



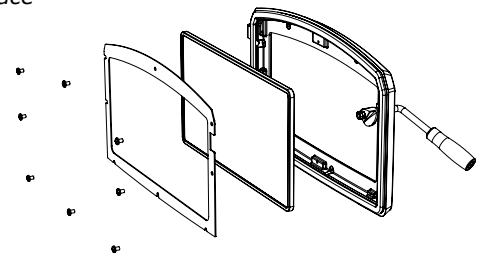
Important: Push both baffles so they are tight against the back wakk and are locked into place as shown below.



Glass Replacement

Your Regency stove is supplied with 5 mm Neoceram ceramic glass that will withstand the highest heat that your unit will produce. In the event that you break your glass by impact, purchase your replacement from an authorized Regency dealer only.

Remove the door from the stove and remove the screws securing the glass retainer. Position the glass in the door, make sure that the glass gasketing will properly seal your unit, and replace the retainer, it should rest on the gasket not the glass. Tighten securely, but do not wrench down on the glass as this may cause the glass to break.



Shown with Classic Door

Wood Door & Handle Assembly

1. In preparation of installing the door handle, the nuts, cam, washers and spacer must be removed as shown in Diagram 1.

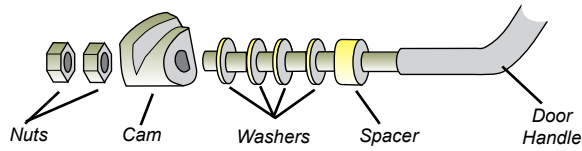


Diagram 1

LATCH ADJUSTMENT

The door latch may require adjustment as the door gasket material compresses over time. Removal of 1 or 2 washers will allow the latch to move closer to the door frame, causing a tighter seal. (Refer to Diagram 1)

2. Place the door onto the hinges and then place the door handle through the opening on the door, as shown in Diagram 2.

Re-assemble and secure the door handle components in reverse order as removed in step 1, refer to Diagram 1.

3. Put the hinge cover caps on top of hinges to complete the door installation.

Note: The bottom of the door may scrape the ashlip. In this case place the spacers provided on the door hinges of the unit before placing the door.

4. Close door and ensure there is a tight seal. If door is too tight, a washer can be added. If the door is not creating a tight seal, a washer can be removed. Recheck door to ensure there is still a tight seal. Repeat steps if door seal is still not tight until a tight seal has been achieved. The handle should be approximately in the 8 o'clock position when door is fully closed.(Diagram 3)

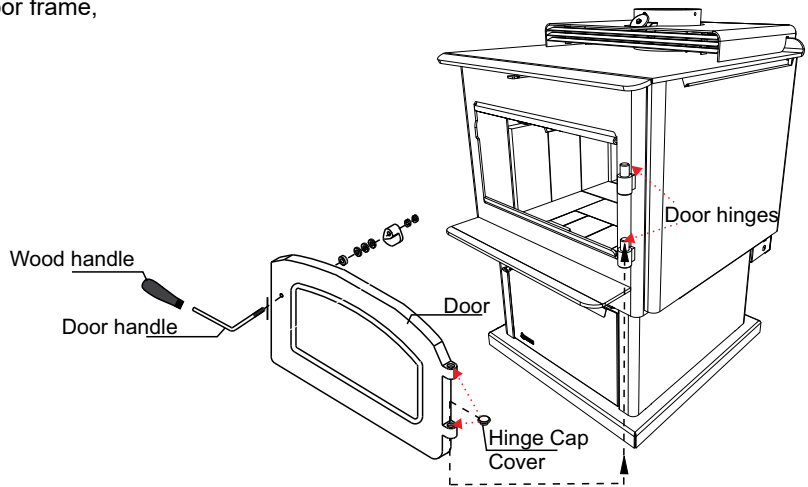


Diagram 2

Note: Freestanding stove shown. Door assembly instructions are no different for the insert models.

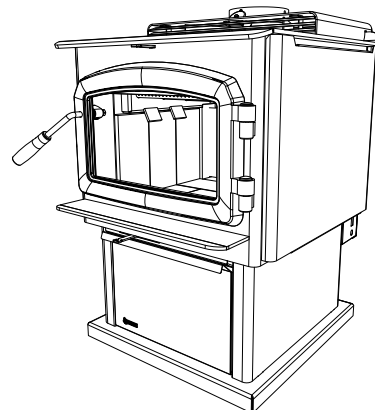
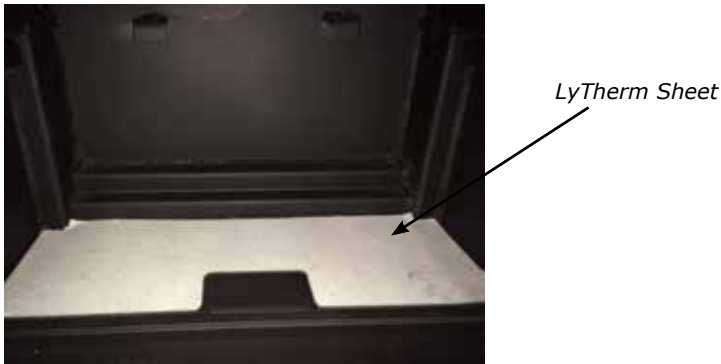


Diagram 3

Brick Installation

Firebrick is included to extend the life of your stove and radiate heat more evenly. Check to see that all firebricks are in their correct positions and have not become misaligned during shipping. Install all firebricks (if bricks were removed at install) per the diagram below and place in their correct positions. Do not use a grate.

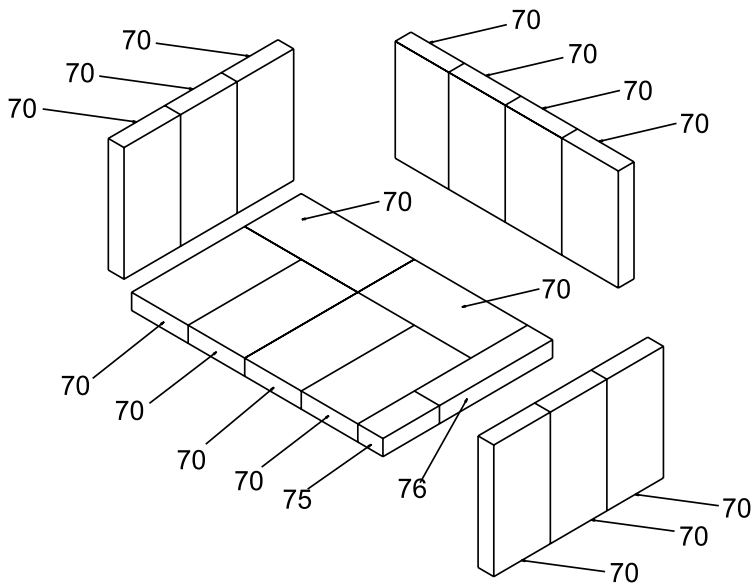


Order of firebrick install:

- a) Rear Firebrick
- b) Firebox Floor - install brick over LyTherm Sheet
- c) Right and Left Side Firebricks

180-960 Firebrick - Complete Set

- 70) 902-111 Brick Regular Full Size: 1-1/4" x 4-1/2" x 9"
- 75) * Brick Partial: 1-1/4 x 4-1/2" x 2"
- 76) * Brick Partial: 1-1/4" x 2" x 9"



Seasoned Wood

Whether you burn wood in a fireplace, stove or insert, good quality firewood is the key to convenience, efficiency and safety. Wet wood and pieces that are not the right size and shape for your wood burner can be frustrating, burn inefficiently and deposit creosote that can fuel a dangerous chimney fire. Good planning, seasoning and storage of the firewood supply are essential to successful wood burning.

- Stack the wood in separate rows in an open location where the summer sun can warm it and breezes can carry away the moisture. Do not stack unseasoned wood tightly in an unvented storage area.
- Do not allow firewood to lie on the ground for more than a couple of days before stacking. Mould and rot can set in quickly.
- Stack the wood up off the ground on poles, lumber rails or pallets.
- The top of the pile can be covered to keep off rain, but do not cover the sides.

Softer woods like pine, spruce and poplar/aspen that is cut, split and stacked properly in the early spring maybe be ready for burning in the fall. Extremely hard woods like oak and maple, and large pieces of firewood, may take a minimum of a full year to dry enough. Drying may also take longer in damp climates

There are a few ways to tell if wood is dry enough to burn efficiently. Use as many indicators as possible to judge the dryness of the firewood your are considering. Here are ways to judge firewood moisture.

- Using a moisture meter, select the species of fuel and then penetrate the pins into a split piece. Ideal moisture and seasoned firewood should be less than 20% moisture content.
- Checks or cracks in the end grain can be an indication of dryness, but may not be a reliable indicator. Some wet wood has checks and some dry wood has no checks.
- The wood tends to darken from white or cream colour to grey or yellow as it dries.
- Two dry pieces banged together sound hollow; wet pieces sound solid and dull.
- Dry wood weighs much less than wet wood.
- Split a piece of wood. If the exposed surface feels damp, the wood is too wet to burn.

Operating Instructions

With your unit now correctly installed and safety inspected by your local authority, you are now ready to start a fire. Before establishing your first fire, it is important that you fully understand the operation of your draft control.

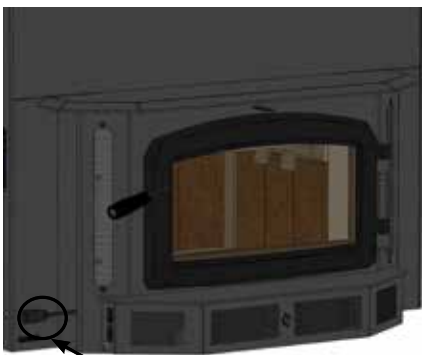
WARNING
Fireplace Stoves equipped with doors should be operated only with doors fully closed. If doors are left partly open, gas and flame may be drawn out of the fireplace stove opening, creating risks from both fire and smoke.

Draft Control

Both the primary and air wash drafts are controlled by the control slide located on the front left side of the unit. To increase your draft - slide to the left to open, and to decrease - slide to the right to close. The i2450-2 unit has a secondary draft system that continually allows combustion air to the induction ports at the top of the firebox.

Draft is the force which moves air from the appliance up through the chimney. The amount of draft in your chimney depends on the length of the chimney, local geography, nearby obstructions and other factors. Too much draft may cause excessive temperatures in the appliance and may damage the unit. Inadequate draft may cause back puffing into the room and plugging of the chimney.

Outward - Open Inward - Closed



Side Draft Control

Left - Open Right - Closed

WARNING: To build a fire in ignorance or to disregard the information contained in this section can cause serious permanent damage to the unit and void your warranty!

First Fire

When your installation is completed and inspected you are ready for your first fire.

THIS UNIT IS DESIGNED TO BURN SEASONED CORDWOOD ONLY. COAL, BRIQUETTES AND ALL OTHERS LISTED ON PAGE 2 ARE NOT APPROVED.

SEASONED CORDWOOD SHOULD BETWEEN 19% AND 25% MOISTURE CONTENT.

START UP AND OPERATING PROCEDURES:

1. For the first few days, the wood stove will give off an odour from the paint. This is to be expected as the high temperature paint becomes seasoned. Windows and/or doors should be left open to provide adequate ventilation while this temporary condition exists. Burning the wood stove at a very high temperature the first few times may damage the paint. During the first few fires, keep the combustion rate at a moderate level and avoid a large fire. Only after 5 or 6 such fires can you operate the wood stove at its maximum setting, and only after the metal has been warmed.
2. Do not place anything on the wood stove top during the curing process. This may result in damage to your paint finish.
3. When starting the fire, ensure the air control is in the fully open position (far left). To start a good and clean fire you will need to prepare one load of start-up fuel weighing approximately 15 – 16 lb. in total using only dry seasoned cord wood with less than 20% moisture content. The load consists of 2 – 2.5 lb. kindling ½” to 1” diameter, 4 pieces 16” long 2.5” – 3” diameter and 5 – 7 pieces 2.5” – 3” diameter 12” long.
4. Load 2 pieces 16” long on the bottom centre of the firebox, spaced 8” – 10” in a North South (front to back) orientation. Add few pieces of crumpled paper and the kindling in between these 2 pieces. On top, load the 12” long pieces east west (side to side) orientation from the back of the firebox to the front, spaced 1” – 2”. Load the 2 remaining 16” long pieces on top in a North South (front to back) orientation spaced 8” – 10”.
5. Ensure primary air control is fully open to the left facing the unit and then light the paper and the kindling. Adjust the door opening to establish fire and for less smoke roll out. Keep the door in this position for 5 – 6 minutes until the secondary tubes start flashing and then close the door. (Leaving the door slightly open will help your fire start more rapidly.)

6. Burn on high setting (primary air control fully open to the left) for approx. 1h. Once most of the wood has burned down but there are still good flames, level evenly the coals. Now you can reload the stove.

NOTE: These steps are crucial to ensure proper charcoaling and coal bed prior to loading High, Med and Low fire loads.

7. The next step is to create a pre-burn load. This step is necessary to bring the stove temperature to an equilibrium and to create a hot coal bed for the main load of wood. The size and the loading pattern is the same as for the startup load above.

After loading keep the door slightly open for 3 – 4 minutes, until the fire is well established, then close the door.

Burn on high air setting (primary air control fully open to the left) for approximately 30 minutes then reduce the primary air setting to your desired burn category. Now turn the fan on low for low and medium low setting and on high for medium high and high air settings. For a high burn leave the air fully open and turn the fan on high.

Once a nice coal bed is established and there are still good-sized flames, the main load of larger logs can be loaded into the firebox. Rake and level the coals to create a uniform charcoal bed.

Open the primary air fully and turn off the fan. Now the main load of larger logs can be loaded. Load 6 pieces (maximum) of 16.75 - 17” long logs, 3”-4” diameter front to back in a North South orientation. Once loaded, keep the door open for 3 to 4 minutes, until strong flames are established. Turn on high setting (primary air control fully open to the left) for 5 to 10 minutes then adjust the air control to your desired setting. For a high /medium high air setting the fan can be turned on high at 15 minutes. For a low/medium low air setting the fan can be turned on low at 30 minutes.

High Fire: Air control to far left.

Low Fire: Air control to far right.

Med Low Fire: Air control slightly left of low fire setting.

Med High Fire: Approx. 1” from low air setting. For low and medium fire, adjust the air gradually from high to the desired position.

WARNING: Never build a roaring fire in a cold wood stove. Always warm your wood stove up slowly!

From the start up of a cold stove, a medium to high firing rate must be maintained for 30 min. This ensures that the stove, and fuel are all stabilized at proper operating temperatures. Even though it is possible to have high temperatures within minutes after a fire has been started, if the fire is allowed to die down immediately it may go out. During re-fueling and rekindling of the cool fire, or a fire that has burned down to the charcoal phase, operate the stove at a medium to high firing rate for about 15 - 30 minutes to ensure to reach operating temperatures.

8. During the first few days it may be more difficult to start the fire. As you dry out your firebrick and your masonry flue, your draft will increase.
9. For those units installed at higher elevations or into sub-standard masonry fireplaces, drafting problems may occur. Consult an experienced dealer or mason on methods of increasing your draft.

- 10. Some cracking and popping noises may be experienced during the heating up process. These noises will be minimal when your unit reaches temperature.
- 11. All fuel burning appliances consume oxygen during operation. It is important that you supply a source of fresh air to your unit while burning. A slightly opened window is sufficient for the purpose. If you also have another fireplace in your home, a downdraft may be created by your Regency Stove causing a draft down your chimney. If this occurs, slightly open a window near your unit.

WARNING: If the body of your unit, or any part of the chimney connector starts to glow, you are over firing. Stop loading fuel immediately and close the draft control until the glow has completely subsided.

- 12. Green or wet wood is not recommended for your unit. If you must add wet or green fuel, open the draft control fully until all moisture has been dispersed by the intense fire. Once all moisture has been removed, the draft control may be adjusted to maintain the fire.
- 13. If you have been burning your stove on a low draft, use caution when opening the door. Open the door a crack, and allow the fire to adjust before fully opening the door.
- 14. The controls of your unit or the air supply passages should not be altered to increase firing for any reason.
- 15. If you burn the unit too slowly or at too low a setting your unit will not be operating as efficiently as it can. An easy rule of thumb says that if your glass is clean, then your flue is clean and your exhaust is clean. Burn the stove hot enough to keep your glass clean and you won't need to clean your flue as often.

HOT WHILE IN OPERATION. KEEP CHILDREN, CLOTHING AND FURNITURE AWAY. CONTACT MAY CAUSE SKIN BURNS.

NOTE: Always stir the coal approximately half way through a burn cycle to ensure proper charcoaling.

CAUTION: Do not build the fire too close to the glass, unless/otherwise specified.



How to Light & Maintain a Wood Stove Fire

Fan Operation

Automatic

To operate the fan - ensure switch is in AUTO mode.

This will allow the fan to turn on as the stove has come up to operating temperature. It will also shut the fan system off after the fire has gone out and the unit cooled to below a useful heat output range.

Operate the fan in the low speed position when burning in the LOW-MED LOW heat output ranges and operate in the high setting for MED-HIGH to HIGH heat outputs.

Route power cord to either left or right and plug into suitable 3 prong grounded plug.

Ash Disposal

During constant use, ashes should be removed every few days.

Ashes should be placed in a metal container with a tight-fitting lid. The closed container of ashes should be placed on a noncombustible floor or on the ground, well away from all combustible materials, pending final disposal. If the ashes are disposed of by burial in soil or otherwise locally dispersed, they should be retained in the closed container until all cinders have thoroughly cooled.

Safety Precautions

- 1. Do not allow ashes to build up to the loading doors! Only remove ashes when the fire has died down. Even then, expect to find a few hot embers.
- 2. Please take care to prevent the build-up of ash around the start-up air housing located inside the stove box, under the loading door lip.

Safety Guidelines and Warnings

CAUTION: Do not use chemicals as fluids to start fire.

- 1. **CAUTION:** Never use gasoline, gasoline type lantern fuels, kerosene, charcoal lighter fuel, or similar liquids to start or 'freshen up' a fire in your heater. Keep all such liquids well away from the heater while it is in use.
- 2. Keep the door closed during operation and maintain all seals in good condition.
- 3. Do not burn any quantities of paper, garbage, and never burn flammable fluids such as gasoline, naphtha or engine oil in your stove.
- 4. If you have smoke detectors, prevent smoke spillage as this may set off a false alarm.

- 5. Do not overfire heater. If the chimney connector, flue baffle or the stove top begin to glow, you are over firing. Stop adding fuel and close the draft control. Over firing can cause extensive damage to your stove including warping and premature steel corrosion. Over firing will void your warranty.
- 6. Do not permit creosote or soot build-up in the chimney system. Check and clean chimney at regular intervals. Failure to do so can result in a serious chimney fire.
- 7. Your Regency stove can be very hot. You may be seriously burned if you touch the stove while it is operating, keep children, clothing and furniture away. Warn children of the burn hazard.
- 8. The stove consumes air while operating, provide adequate ventilation with an air duct or open a window while the stove is in use.
- 9. Do not connect this unit to a chimney flue serving another appliance.
- 10. Do not use grates or andirons or other methods for supporting fuel. Burn directly on the bricks.
- 11. Open the draft control fully for 10 to 15 seconds prior to slowly opening the door when refuelling the fire.
- 12. Do not connect your unit to any air distribution duct.
- 13. This heater is designed to burn natural wood only. Higher efficiencies and lower emissions generally result when burning air dried seasoned hardwoods, as compared to softwoods or to green or freshly cut hardwoods.
- 14. In the event of component failure, replace parts with only Regency listed parts.
- 15. Warning: do not abuse glass door such as striking or slamming shut.
- 16. Do not store any fuel closer than 2 feet from your unit. Do not place wood, paper, furniture, drapes or other combustibles near the appliance.
- 17. **CAUTION:** Do not operate with broken glazing.

CAUTION: HOT WHILE IN OPERATION. KEEP CHILDREN, CLOTHING AND FURNITURE AWAY. CONTACT MAY CAUSE SKIN BURNS.

Maintenance

It is very important to carefully maintain your fireplace stove, including burning seasoned wood and maintaining a clean stove and chimney system. Have the chimney cleaned before the burning season and as necessary during the season, as creosote deposits may build up rapidly. Moving parts of your stove require no lubrication.

Creosote

When wood is burned slowly, it produces tar and other organic vapours combine with moisture to form creosote. The creosote vapours condense in the relatively cool chimney flue of a slow burning fire. As a result, creosote residue accumulates on the flue lining. When ignited, this creosote can result in an extremely hot fire.

The chimney connector and chimney should be inspected at least once every two months during the heating season to determine if creosote build up has occurred. If creosote has accumulated it should be removed to reduce the risk of chimney fire.

CAUTION: Things to remember in case of a chimney fire:

1. Close all draft and damper controls.
2. CALL THE FIRE DEPARTMENT.

Ways to Prevent and Keep Unit Free of Creosote

1. Burn stove with the draft control wide open for about 10-15 minutes every morning during burning season.
2. Burn stove with draft control wide open for about 10 - 15 minutes every time you apply fresh wood. This allows the wood to achieve the charcoal stage faster and burns up any unburned gas vapours which might otherwise be deposited within the system.
3. **Only burn seasoned wood!** Avoid burning kiln dried, wet or green wood. Seasoned wood has been dried at least one year.
4. A small hot fire is preferable to a large smouldering one that can deposit creosote within the system.

5. The chimney and chimney connector should be inspected at least once every two months during the heating season to determine if a creosote buildup has occurred.
6. **Have chimney system and unit cleaned by competent chimney sweeps twice a year during the first year of use and at least once a year thereafter or when a significant layer of creosote has accumulated (3 mm/1/8" or more) it should be removed to reduce the risk of a chimney fire.**

Door Gasket

If the door gasket requires replacement, use a 7/8" gasket rope (Part #846-570). A proper high temperature gasket adhesive is required. See your Regency Dealer.

The door catch may require adjustment as the door gasket compresses after a few fires. The door latch compression may require adjustment to renew seal. Removal of a shim, (see section in this manual), will allow the latch to be moved closer to the door frame, causing a tighter seal.

Glass Maintenance

Your Regency stove is supplied with 5mm Neoceram ceramic glass (Part #846-308) that will withstand the highest heat that your unit will produce. In the event that you break your glass by impact, purchase your replacement from an authorized Regency dealer only, and follow our step-by-step instructions for replacement (refer to Glass Replacement section).

Allow the stove to cool down before cleaning the glass. Cleaning the glass will prevent build up of carbon and allow full view of the fire.

WARNING: Do not clean the glass when it is hot.

WARNING: Do not use abrasive cleaners, a damp cloth and glass cleaner is effective.

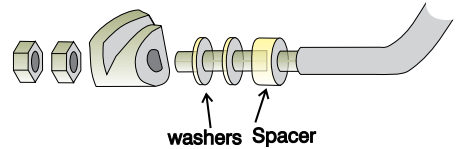
Wood Storage

Store wood under cover, such as in a shed, or covered with a tarp, plastic, tar paper, sheets of scrap plywood, etc., as uncovered wood can absorb water from rain or snow, delaying the seasoning process.



Latch Adjustment

The door latch may require adjustment as the door gasket material compresses after a few fires. Removal of the spacer washer, shown in the diagram below, will allow the latch to be moved closer to the door frame, causing a tighter seal. Remove and replace the nuts, washer and spacer as shown.



Removing Wooden Handle

1. To remove the wooden door handle from unit, firstly locate 7/64" Allen key hole at the bottom of wooden handle.



2. Unscrew 7/64" Allen Key screw counterclockwise. Once the screw is completely loose, remove and drop the handle down off the door handle shaft and replace with new handle.



DO NOT BURN:

- Treated wood
- Coal
- Garbage
- Cardboard
- Solvents
- Colored Paper
- Trash
- Salt drift wood
- Cut lumber, plywood, mill ends.

Burning treated wood, garbage, solvents, colored paper or trash may result in release of toxic fumes. Burning coal, cardboard, or loose paper can produce soot, or large flakes of char or fly ash, causing smoke spillage into the room.

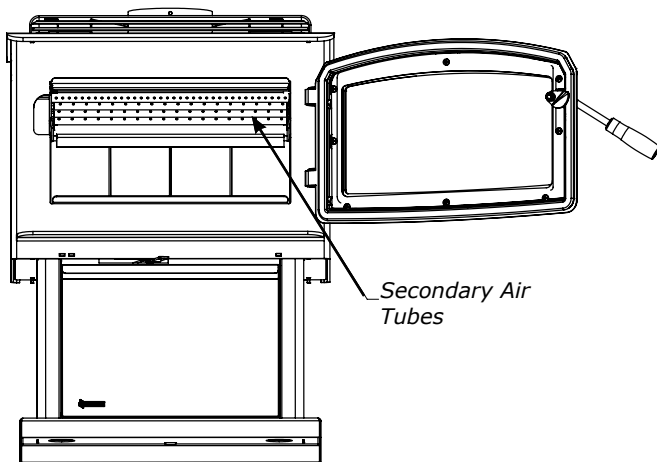
CAUTION: DO NOT BURN GARBAGE OR FLAMMABLE LIQUIDS SUCH AS GASOLINE, NAPHTHA OR ENGINE OIL. SOME FUELS COULD GENERATE CARBON MONOXIDE AND ARE VERY DANGEROUS.

CAUTION: DO NOT CONNECT TO, OR USE IN CONJUNCTION WITH ANY AIR DISTRIBUTION DUCT WORK UNLESS SPECIFICALLY APPROVED FOR SUCH INSTALLATION.

Secondary Air Tube Removal/Installation

1. Allow the stove to burn out and cool down, until cool to touch.
2. Open stove door to access secondary air tubes.

3. Grasp front secondary air tube firmly with vise grips, using a hammer tap vise grips from right to left until air tube is released from grip. Remove. See diagram 1. Repeat step to remove second airtube from front.
4. Remove the fragile two piece Baffles, then remove the remaining 3 tubes.



Note: The unit is not exactly shown but depicts the process.

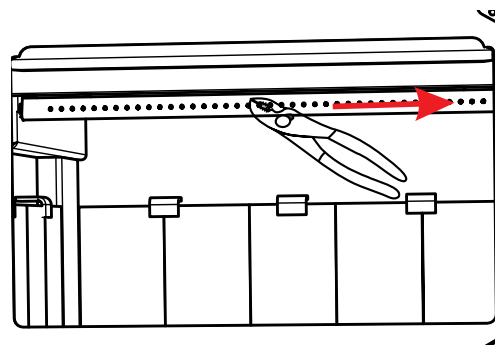


Diagram 1

5. To reinstall or replace, first slide left side of tube into hole on left side air channel. Align tab on right side air channel with notch on right hand end of air tube. Firmly grip center of air tube with vise grips, use hammer to tap vise grips from left to right until the tube bottoms out into the air channel on right.

Note: If air tube is locked into place correctly there should be slight movement when moving the air tube back and forth.



Cleaning & Maintaining Your Wood Stove

Annual Maintenance	
Completely clean out entire unit	Annually
Inspect air tube and bricks	Replace any damaged parts.
Adjust door catch assembly	If unable to obtain a tight seal on the door - replace door gasket seal. Readjust door catch after new gasket installed.
Inspect condition and seal of: Glass Gasket Door Gasket	Perform paper test - replace gasket if required
Paper Test	Test the seal on the loading door with a paper bill. Place a paper bill in the gasket area of the door on a cold stove. Close the door. Try to remove the paper by pulling. The paper should not pull out easily, if it does, try adjusting the door latch, if that doesn't solve the problem replace the door gasket.
Check and lubricate door hinge + latch	Use only high temperature anti seize lube. (ie. never seize)
Check glass for cracks	Replace if required.
Clean blower motor	Disconnect power supply. Remove and clean blower. *DO NOT LUBRICATE*
Inspect and clean chimney	Annual professional chimney cleaning recommended.

NOTE:

Chimney Cleaning

When cleaning the chimney system the air tubes, baffles should be removed for ease of cleaning. See manual for details on removal. We highly recommend that the chimney cleaning be done by a professional as they will have the necessary tools such as a proper sized brush and special vacuum cleaner designed to deal with fine particles.

IMPORTANT: Before attempting to loosen or remove any screw, bolt from the interior of a wood stove, insert or factory built fireplace that has had a fire burned in it, we highly recommend to liberally spray the screw/bolt with a good-quality penetrating oil, one that does not have flammable properties contained within the penetrating oil being used. Allow it to set, then tap or vibrate the screw or bolt to help loosen it before attempting to remove it. For best results, follow the instructions that are provided with the penetrating oil.

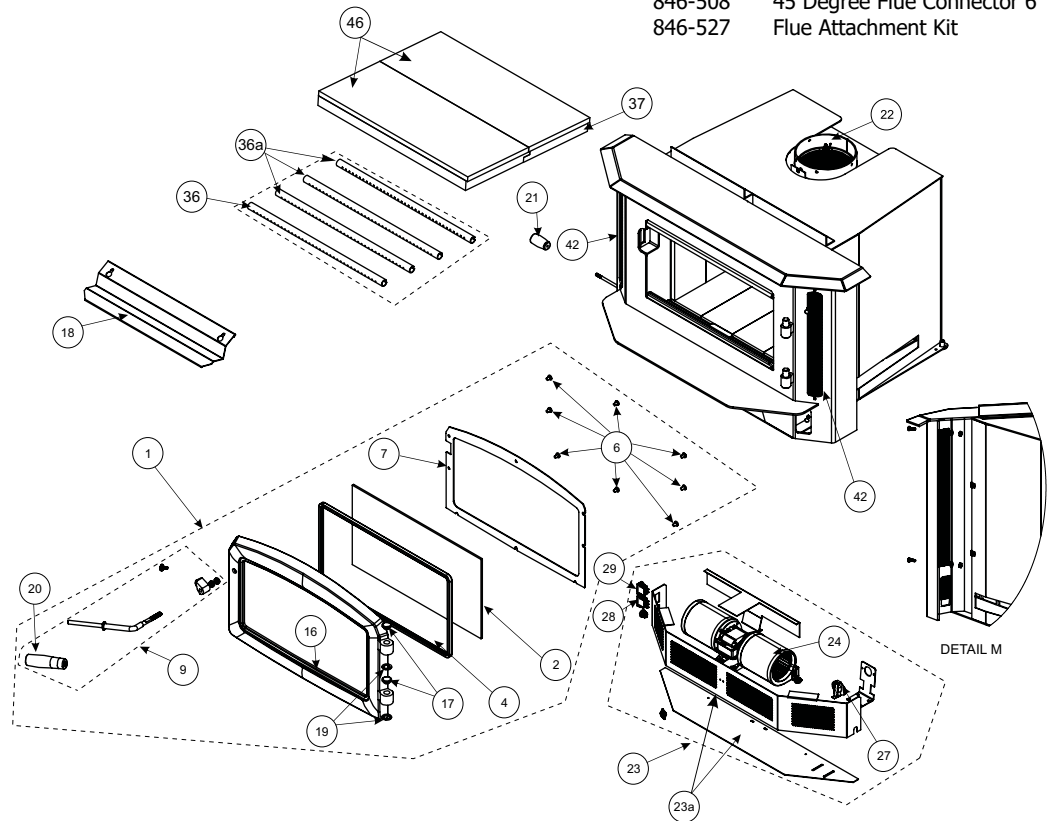
Main Assembly & Options - i2450-2

Part #	Description	Part #	Description	Part #	Description
1) 850-251	Door Assy - Large Black	23) 142-917	Fan Assembly	46) 022-113	Top Baffle Insulation
850-253	Door Assy - Large Nickel Accent	23a) 142-927	Bottom Fan Fascia	N/S 021-022	Firebox Floor Gasket
2) 846-308	Glass - Replacement (Includes Glass Gasket)	24) 910-157/P	Fan Motor 120 Volts	N/S 022-112	Top Firebox Back Gasket
4) 846-692	1/8" x 3/4" Wide Graphite Gasket Tape (6') (936-241)	* 910-678	Power Cord 120 Volts	N/S 022-111	Top Firebox Side Gasket (Each/2 Per Unit)
6) 904-115*	Screw 1/4-20 x 3/8"	27) 910-142	Fan Thermodisc	N/S 021-051/P	Right Brick Bracket Packaged
7) 181-034F	Glass Retainer - Large	28) 910-140	Fan Speed Hi / OFF / Low Switch (3-way)	N/S 021-054	Left Brick Bracket Packaged
9) 021-973	Door Handle Assembly	29) 910-138	Auto / Manual On / OFF Switch	N/S 902-816	Vertical Baffle Top Front (Not Visible. Hidden above Part # 022-062)
16) 846-570	Door Gasket Kit	30) *	Grommet Strain Relief	948-223	Regency Logo - Nickel
17) 948-079BN	Hinge Caps - Nickel (each)	36) 033-953	Air Tube 3/4"	920-765	Manual
17) 846-918	Hinge Caps Black Oxide (Set of 2)	36a) 033-954	Air Tube 3/4" (Qty:3) (each)		
18) 022-062	Smoke Deflector	37) 022-955	Baffle (2/set) (Includes Insulation)		
19) 650-084	Door Spacer	42) 163-931	Convection Grill - Nickel (Opt)		
20) 948-146	Wood Handle	163-930	Convection Grill - Blk		
21) 181-039	Draft Control Handle	43) *	Hex Nut 10-24 Zinc Coated		
22) 181-632/P	Flue Adaptor	44) *	Washer #10 Flat		
		45) *	Bolt, 10-24 x 3/4" Blk Carriage		

*Not available as a replacement part.

OPTIONAL VENTING COMPONENTS

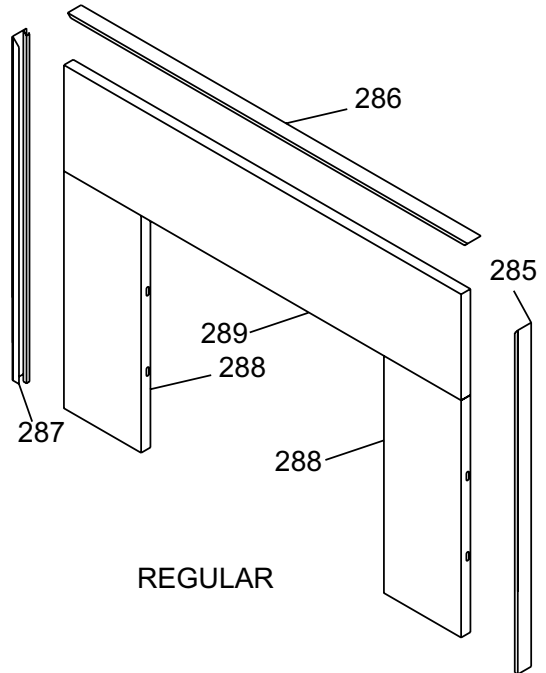
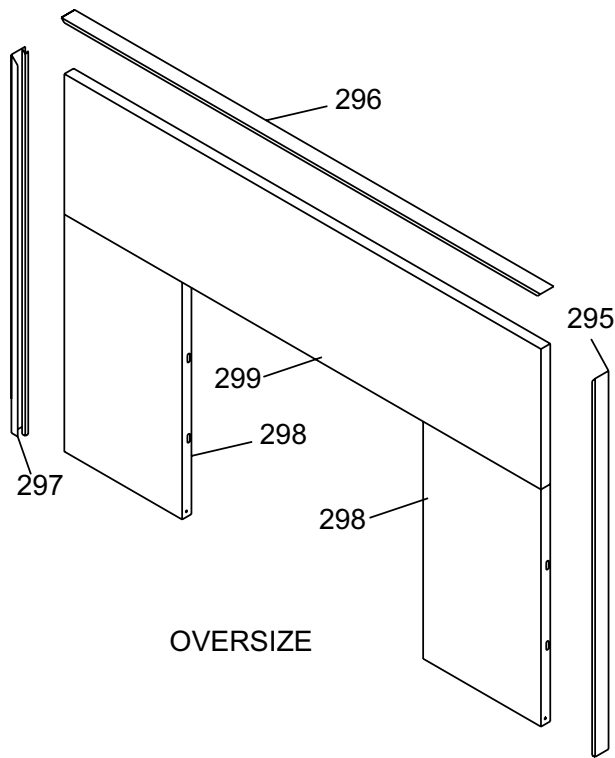
Part #	Description
948-520	5-1/2"(140 mm) x 25 ft.(7.6 m.) Wood Insert S.S. Flex Kit
948-530	5-1/2"(140 mm) x 35 ft.(10.7 m.) Wood Insert S.S. Flex Kit
948-512	Rain cap
948-526	Home style Easy Clean Out cap With 13" (330 mm) x 13" (330 mm) Flashing
948-524	Pulling Guide Cone
948-525	1/2" (13 mm) x 25 ft. (7.6 m.) Wrap Insulation
948-535	1/2"(13 mm) x 35 Ft. (10.7 m.) Wrap Insulation
846-504	Straight Flue Connector 6" (152 mm)
846-506	30 Degree Flue Connector 6" (152 mm)
846-508	45 Degree Flue Connector 6" (152 mm)
846-527	Flue Attachment Kit



Faceplates - i2450-2

Part #	Description
140-911	Faceplate & Trim Set - Regular
180-570	Black Trim Regular (set of 3)
285)*	Trim Right Regular
286)*	Trim Top Regular
287)*	Trim Left Regular
288)*	Faceplate Side Regular
289)*	Faceplate Top Regular
140-913	Faceplate & Trim Set - Oversize
180-572	Black Trim Oversize (set of 3)
295)*	Trim Right Oversize
296)*	Trim Top Oversize
297)*	Trim Left Oversize
298)*	Faceplate Side Oversize
299)*	Faceplate Top Oversize

*Not available as a replacement part.



Brick Panels - i2450-2

Part # Description

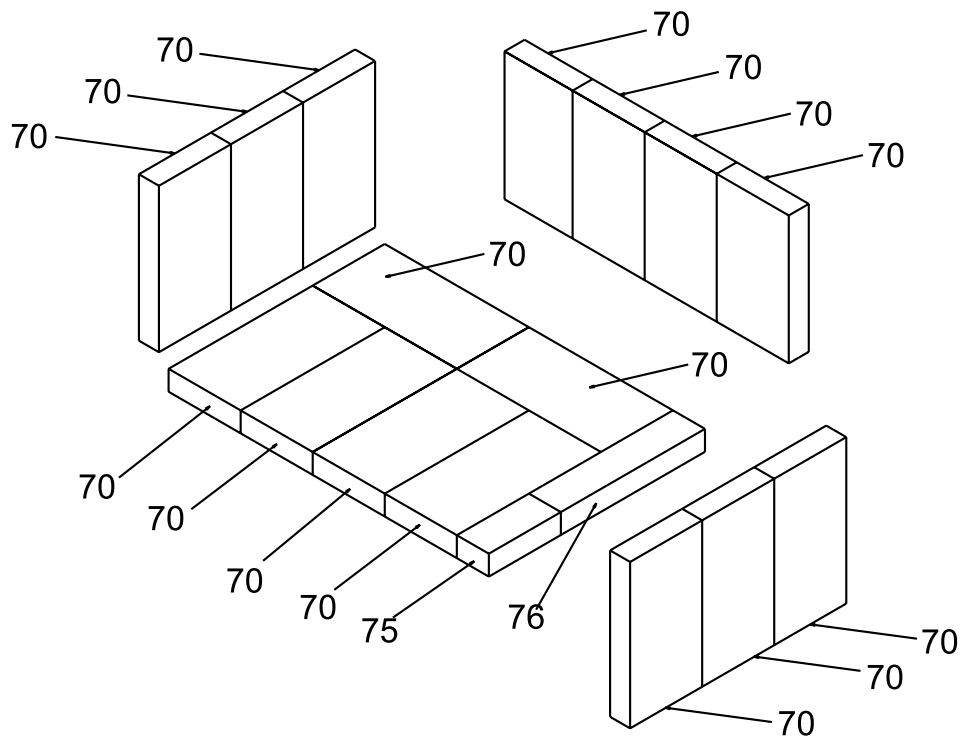
180-960 Firebrick - Complete Set

70) 902-111 Brick Regular Full Size: 1-1/4" x 4-1/2" x 9"

75) * Brick Partial: 1-1/4 x 4-1/2" x 2"

76) * Brick Partial: 1-1/4" x 2" x 9"

Note: The gasket behind the bottom bricks must be purchased separately & is not included with the Brick Kit.



Indoor Wood Product Warranty

Limited Lifetime Warranty

FPI Fireplace Products International Ltd. (for Canadian customers) and Fireplace Products U S, Inc. (for US customers) (collectively referred to herein as “FPI”) extends this Limited Lifetime Warranty to the original purchaser of this Appliance provided the product remains in the original place of installation. The items covered by this Limited Lifetime Warranty and the period of such coverage are set forth in the table below.

An Appliance in this policy is defined as an Indoor wood insert or Indoor wood freestanding stove.

This Appliance has only been certified and listed for use indoors.

Note: This Wood Product Warranty does not apply to the Ri50 & CF780 models. See Ri50/CF780 policy for specific warranty details.

This Limited Lifetime Warranty starts on the day the Appliance was purchased.

The Limited Lifetime Warranty is not transferable, amendable or negotiable under any circumstances.

Indoor Wood Products	Component Coverage					Subsidized Labor Coverage*** (Years)
	Limited Lifetime	5 years	2 years	1 year	Warranty	
Welded Firebox Steel	✓					5
All Stainless Steel Components, Smoke Deflectors, Heat Shields etc.	✓					3
Air Tubes	✓					3
Airmate	✓					3
Door handle and latch assembly, all hardware	✓					3
Glass Thermal Breakage Only	✓					3
Steel Faceplates, Accessory Housings	✓					3
All Plating	✓					3
Ash Drawer, Heatshields, Pedestal	✓					0
All Baffles, Steel, Ceramic, Vermiculite C-Baffles	✓					0
All castings, firebox, surrounds, doors, panels etc.		✓				3
All Electrical, Blower, wiring, switches, Catalytic Monitors, Probes, etc.			✓			2
Glass - Crazing				✓		1
Catalyst Combustor					**10 Years Prorated	0
Venting/Chimney				✓		1
Screens				✓		1

**See specific warranty details regarding the catalyst combustor in this manual.

Note: Warranty coverage noted above may not be applicable as components/options vary based on appliance purchased.

Conditions:

Warranty protects against defect in manufacture or FPI factory-assembled components only, unless herein specified otherwise.

*****This warranty does not cover dealer travel costs, mileage, fuel, tolls for diagnostic or service work. All labor rates paid to authorized dealers are subsidized, pre-determined rates. Dealers may charge you for travel and additional time beyond their subsidy.**

Any part(s) found to be defective during the warranty period as outlined above will be repaired or replaced at FPI’s option through an accredited distributor, dealer or pre-approved and assigned agent provided that the defective part is returned to the distributor, dealer or agent for inspection if requested by FPI. Alternatively, FPI may, at its own discretion, fully discharge all of its obligations under warranty by refunding the verified purchase price of the product to the original purchaser. The purchase price must be confirmed by the original Bill of Sale.

The authorized selling dealer, or an alternative authorized FPI dealer if pre-approved by FPI, is responsible for all in-field diagnosis and service work related to all warranty claims. FPI is not responsible for results or costs of workmanship of unauthorized FPI dealers or agents in the negligence of their service work.

At all times, FPI reserves the right to inspect reported in the field/on location complaints of products claimed to be defective before processing or authorizing any claim. Failure to allow this upon request will void the warranty.

All warranty claims must be submitted by the dealer servicing the claim, including a copy of the Bill of Sale (proof of purchase by you). All claims must be complete and provide full details as requested by FPI to receive consideration for evaluation. **Incomplete claims may be rejected.**

Replacement Appliances to the original purchaser are limited to one per warranty term. Air tube and baffle replacements are limited to one replacement per warranty term.

The Appliance must be installed according to all manufacturers' instructions as per the manual. All Local and National required codes must be met.

The installer is responsible for ensuring the Appliance is operating as designed at the time of installation.

The original purchaser is responsible for the annual maintenance of the Appliance, as outlined in the owner's manual. As outlined below, the warranty may be voided due to problems caused by a lack of maintenance.

Purchased parts: Repair/replacement parts purchased by the consumer from FPI after the original coverage has expired on the Appliance will carry a **90-day** warranty from the purchase date, valid with a receipt only. Any item shown to be defective will be repaired or replaced at our discretion. No labor coverage is included with these parts.

If freight damage has been found either externally or internally, the dealer must be informed within 3 days. All claims as a result of damage must be submitted by the dealer servicing the claim, including a copy of the Bill of Sale (proof of purchase). All claims must be complete and provide full details as requested by FPI to receive consideration for evaluation. **Incomplete claims may be rejected.**

As this is a Limited Lifetime Warranty, if the Appliance needs to be replaced, the Appliance that was purchased at the time of sale might not be replaced with exactly the same model Appliance. In that case, FPI will replace your Appliance with one that is similar at the time of replacement under the terms of this Limited Lifetime Warranty, but **ONLY** in the event that an item covered by the Limited Lifetime Warranty is found to be defective. Please refer to the table on first page of this warranty for items covered by the Limited Lifetime Warranty. Product changes might be the result of the original Appliance being discontinued, changes in regulatory requirements, product advancements, etc., which are beyond the control of FPI. **This Limited Lifetime Warranty does not cover any installation costs, or costs associated with changes of required clearances for the replacement Appliance, hearth pads, mantles, facing and/or facing materials such as framing, completed walls made of drywall, wood, non-combustible board, tile, brick, stone, marble etc., venting/chimney systems, or components of the chimney system.**

If a suitable replacement is not available, FPI will refund **50%** of the purchase price of the Appliance and any applicable FPI accessories (faceplates, brick panels, media, etc.) purchased at the time of sale. **In no event will FPI refund any portion of the purchase price of, or reimburse costs associated with, any other items, including without limitation, installation of a new unit, changes of required clearances for a new unit, hearth pads, mantles, facing and/or facing materials such as framing, completed walls made of drywall, wood, non-combustible board, tile, brick, stone, marble etc., venting/chimney systems, or components of the chimney system. A copy of the receipt or bill of sale will be necessary to validate the purchase price.**

Exclusions:

This Limited Lifetime Warranty does not extend to paint, rust or corrosion of any kind due to a lack of maintenance or improper venting, combustion air provision, corrosive chemicals (i.e. chlorine, salt, air, etc.), firebrick (rear, sides or bottom), door or glass gasketing, vermiculite floor bricks, and iron assemblies/flue damper rod or any other additional factory fitted gasketing, batteries.

Malfunction, damage or performance-based issues as a result of environmental conditions, location, chemical damages, downdrafts, installation error, an installation by an unqualified installer, incorrect chimney components (including but not limited to cap size or type), operator error, abuse, misuse, use of improper fuels (such as unseasoned cordwood, mill-ends, construction lumber or debris, off-cuts, treated or painted lumber, metal or foil, plastics, garbage, solvents, cardboard, coal or coal products, oil-based products, waxed cartons, compressed pre-manufactured logs, kiln dried wood), lack of regular maintenance and upkeep, acts of God, weather-related problems from hurricanes, tornados, earthquakes, floods, lightning strikes/bolts or acts of terrorism or war, which result in a malfunction of the Appliance are not covered under the terms of this Limited Lifetime Warranty.

FPI has no obligation to enhance or modify any Appliance once manufactured (i.e. as products evolve, field modifications or upgrades will not be performed on existing Appliances).

Any Appliance showing signs of neglect or misuse will not be covered under the terms of this warranty policy and may void this warranty, including Appliances with rusted or corroded fireboxes that have not been reported as rusted or corroded within **three (3)** months of installation/purchase.

Appliances which show evidence of being operated while damaged, or with problems known to the purchaser and causing further damages will void this warranty.

Appliances where the serial no. has been altered, deleted, removed or made illegible will void this warranty.

Minor movement, expansion and contraction of the steel is normal and is not covered under the terms of this warranty.

Freight damages for products or parts are not covered under the terms of the warranty.

Products made or provided by other manufacturers and used in conjunction with the FPI Appliance without prior authorization from FPI may void this warranty.

Limitations of Liability:

The original purchaser’s exclusive remedy under this warranty, and FPI’s sole obligation under this Limited Lifetime Warranty, express or implied, in contract or in tort, shall be limited to replacement, repair, or refund, as outlined above. IN NO EVENT WILL FPI BE LIABLE UNDER THIS WARRANTY FOR ANY INCIDENTAL OR CONSEQUENTIAL COMMERCIAL DAMAGES OR DAMAGES TO PROPERTY. TO THE EXTENT PERMITTED BY APPLICABLE LAW, FPI MAKES NO EXPRESS WARRANTIES OTHER THAN THE WARRANTY SPECIFIED HEREIN. THE DURATION OF ANY IMPLIED WARRANTY IS LIMITED TO DURATION OF THE EXPRESSED WARRANTY SPECIFIED ABOVE. IF IMPLIED WARRANTIES CANNOT BE DISCLAIMED, THEN SUCH WARRANTIES ARE LIMITED IN DURATION TO THE DURATION OF THIS WARRANTY.

Some US states do not allow limitations on how long an implied warranty lasts, or allow exclusion or limitation of incidental or consequential damages, so the above limitations or exclusions may not apply to you.

Customers located outside the US should consult their local, provincial or national legal codes for additional terms, which may be applicable to this warranty.

How to Obtain Warranty Service:

Customers should contact the authorized selling dealer to obtain warranty service. In the event the authorized selling dealer is unable to provide warranty service, please contact FPI by mail at the address listed below. Please include a brief description of the problem and your address, email and telephone contact information. A representative will contact you to make arrangements for an inspection and/or warranty service.

Canadian Warrantor:

FPI Fireplace Products International Ltd.
6988 Venture St.
Delta, British
Columbia Canada,
V4G 1H4

US Warrantor:

Fireplace Products U.S., Inc.
PO Box 2189 PMB 125
Blaine, WA
United States, 98231

Or contact the Regency Customer Care Centre at 1-800-442-7432 (phone) /604-946-4349 (fax) /customerservice@regency-fire.com (e-mail)

Product Registration and Customer Support:

Thank you for choosing a Regency Fireplace. Regency strives to be a world leader in the design, manufacture, and marketing of hearth products. To provide the best support for your product, we request that you complete a product registration form at <http://www.regency-fire.com/Customer-Care/Warranty-Registration.aspx> within **ninety (90)** days of purchase.

Warranty Registration Card



Product Registration and Customer Support:

Thank you for choosing a Regency Fireplace. Regency strives to be a world leader in the design, manufacture, and marketing of hearth products. To provide the best support for your product, we request that you complete a product registration form found on our Web Site under Customer Care within ninety (90) days of purchase.

For purchases made in **CANADA or the UNITED STATES:**

<http://www.regency-fire.com/Customer-Care/Warranty-Registration.aspx>

For purchases made in AUSTRALIA:

<http://www.regency-fire.com.au/Customer-Care/Warranty-Registration.aspx>

You may also complete the warranty registration form below to register your Regency Fireplace Product and mail and/or fax it back to us, and we will register the warranty for you. It is important you provide us with all the information below in order for us to serve you better.

Warranty Registration Form (or Register online immediately at the above Web Site):

Warranty Details	
Serial Number (required):	
Purchase Date (required) (mm/dd/yyyy):	
Product Details	
Product Model (required):	
Dealer Details	
Dealer Name (required):	
Dealer Address:	
Dealer Phone #:	
Installer:	
Date Installed (mm/dd/yyyy):	
Your Contact Details (required)	
Name:	
Address:	
Phone:	
Email:	

For purchases made in CANADA:

FPI Fireplace Products International Ltd.

6988 Venture St.
Delta, British Columbia
Canada, V4G 1H4

Phone: 604-946-5155
Fax: 1-866-393-2806

For purchases made in the UNITED STATES:

Fireplace Products US, Inc.

PO Box 2189 PMB 125
Blaine, WA
United States, 98231

Phone: 604-946-5155
Fax: 1-866-393-2806

For purchases made in AUSTRALIA:

Fireplace Products Australia Pty Ltd

99 Colemans Road
Dandenong South, Vic.
Australia, 3175

Phone: +61 3 9799 7277
Fax: +61 3 9799 7822

For fireplace care and tips and answers to most common questions please visit our Customer Care section on our Web Site. Please feel free to contact your selling dealer if you have any questions about your Regency product.

recycling

PRODUCT LIFE CYCLE:

By recycling your used appliances, you divert waste from your local landfills and help the environment. You also reduce the need for raw materials to manufacture new products. Contact your local municipality for appliance recycling services, local recycling programs, or appliance removal services to ensure your Regency appliance components, and packaging are properly recycled.

Installer: Please complete the following information

Dealer Name & Address: _____

Installer: _____

Phone #: _____

Date Installed: _____

Serial #: _____