

# G3

INSERT FIREPLACE + AUTOFIRE®



Together at last!  
V-Class fire +  
G3's legendary heat.

**valor**  
FIREPLACES

# Why Choose

---

## Feel the heat.

All our gas fireplace radiate heat. Like feeling the sun on your skin. The best kind of heat there is.

---

## Heater-rated

We're rated with space heaters so we put Radiant Heat Technology into every fire. You can feel it.

---

## Works quietly.

We designed our gas fireplaces to move the heated air via natural convection at the rate of 120 cubic foot per minute—no need for a noisy blower.

---

## Stainless Steel burner

Our precision stainless steel burners don't rust, and create an enhanced flame and ember glow that produces radiant heat.

---

## Efficiency

Valor fireplaces are heater-rated. Our Radiant Zone Heating is up to 25% more efficient than central forced air systems.

---

**ON COVER:**  
CLEARVIEW FRONT 745CFV  
3-SIDED SQUARE SURROUND 756STB  
FLUTED BLACK LINER 739FBL  
CLEARVIEW ACCESS PANEL 740CAP  
V-CLASS TRADITIONAL LOGS 739VLSK



To find out more, visit  
[valorfireplaces.com/why-valor](http://valorfireplaces.com/why-valor)

# A Valor?

---

## Improving heat

Our exclusive *Secondary Heat Exchanger* and our aerodynamic firebox naturally improve convective heat—without a fan.

---

## Ceramic glass window

Valor's durable and robust ceramic glass window improves radiant performance by absorbing and distributing radiant heat.

---

## No power?

No problem. All Valor gas fireplaces run on 4 AA batteries as the primary source of power—not as back-up power like other brands. And you'll save money on your electrical bill.

---

## Outdoor-friendly.

All Valor gas fireplaces are rated for outdoors under a covered patio and use quality materials that exceed the requirements for outdoor use.

## Logs provide heat.

High definition, low mass fiber ceramic logs heat up and glow quickly. We harness the radiating heat from our logs, just like real logs.

---

## Built to last.

Our aluminized steel fireboxes handle high temperatures, delivering efficient radiant warmth. Our baked-on powder-coated paint offers a better texture and a more durable finish.

---

## Safety

We put our fires through rigorous safety testing in our in-house CSA approved lab.

We provide a screen with every fireplace to keep you and your loved ones safe.

---

## Design your own.

Visit the Valor Fireplace Design Center to design your very own Valor Fireplace today.



# Legend G3



LEGEND TRADITIONAL LOGS 739TLK  
FLUTED BLACK LINER 739FBL  
CONTEMPORARY FRONT 741SFB  
CONTOUR 3-SIDED SURROUND 746CTK

The Legend G3 offers tried and true fires that made the G3 a leader in the insert fireplace industry. Continuing in popularity, the Legend G3 burners let you to turn your fire down to a low glowing ember—

**LEGEND LOGS**



**TRADITIONAL LOGS**



**CLASSIC LOGS**





a desirable feature when you want to enjoy a fire but not a full one.  
Expect the radiant warmth you've come to enjoy when you turn the fire up!

**PEBBLE BEACH DRIFTWOOD**



**ROCKS + OPTIONAL DECORATIVE ROCKS**



To find out more, visit  
[valorfireplaces.com/g3](http://valorfireplaces.com/g3)

# V-Class G3

V-CLASS DRIFTWOOD 739VDWK  
FLUTED BLACK LINER 739FBL  
MATTE BLACK FRONT 772MBF2 (SHOWN WITHOUT SCREEN)  
3-SIDED SQUARE BLACK SURROUND 756STB

## V-CLASS BIRCH

Our premium G3 gas fireplace introduces a new era of design and performance. The V-Class burner provides a full, rich fire while matching the radiant and convective heat output and efficiency that you've come to love from a G3 insert.

To find out more, visit [valorfireplaces.com/g3](http://valorfireplaces.com/g3)





**V-CLASS TRADITIONAL LOGS**



**V-CLASS DRIFTWOOD**



# Liners

V-CLASS TRADITIONAL LOGS 739VLSK  
RED BRICK LINER 739VRL  
CLEARVIEW FRONT 745CFV  
CLEARVIEW CAST FRET 758CCB  
CONTOUR 3-SIDED SURROUND 746CTK

A liner can change the whole look of a fireplace and fire. Consider a firebox liner that complements your front as well as your fire bed.

Liners may appear differently when fire is on or when it is off. Visit a Valor dealer to see a liner in person or go to [valorfireplaces.com](http://valorfireplaces.com)

## FLUTED BLACK

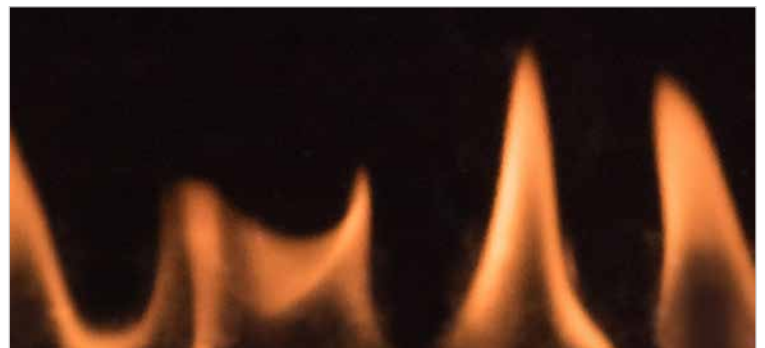




**RED BRICK**



**REFLECTIVE GLASS**



# Fronts

V-CLASS BIRCH LOGS 739VBLK  
FLUTED BLACK LINER 739FBL  
MATTE BLACK FRONT 772MBF2  
3-SIDED SQUARE SURROUND, 2" 767STB



**MATTE BLACK FRONT +  
3-SIDED SQUARE 2" SURROUND**

We offer a wide selection of fronts for your G3 insert fireplace. Consider the style of the room, the fire bed and liner when choosing a front.

To see more front examples, visit your local Valor dealer or go to Valor's Design Center.



**CLEARVIEW FRONT +  
3-SIDED SQUARE SURROUND**



**BLACK FRONT +  
PICTURE FRAME SURROUND**



**BRUSHED NICKEL +  
PICTURE FRAME SURROUND**





SCAN THE QR CODE  
TO DESIGN YOUR G3:



**CAST IRON FRONT +  
CONTOUR SURROUND**



**FENDERFIRE SINGLE DOOR +  
CONTOUR SURROUND**



**FENDERFIRE DOUBLE DOOR +  
CAST IRON SURROUND**



# Finishes



V-CLASS DRIFTWOOD 739VDWK  
FLUTED BLACK LINER 739FBL  
CONTEMPORARY SURROUND FRONT 765CSB  
PICTURE FRAME SURROUND, 2" 764PFB

**BLACK**

Whether it's a powder-coated or plated, steel or cast iron, our finishes are made to last. Ask your Valor dealer to see an example in person, or go to [valorfireplaces.com](http://valorfireplaces.com)





**VINTAGE IRON**



**BRUSHED NICKEL**



# Efficiency



V-CLASS BIRCH 739VBLK  
FLUTED BLACK LINER 739FBL  
MATTE BLACK FRONT 772MBF2  
CONTOUR 3-SIDED SURROUND 746CTK

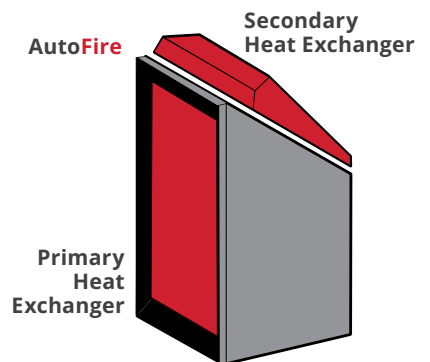
With AutoFire® and the Secondary Heat Exchanger, your G3 fire will heat up fast for immediate comfort and continue providing comfortable radiant and convective heat efficiently. With no need for electricity, you'll save money too.

## AUTOFIRE®

Valor AutoFire improves your fire's initial startup, automatically adjusting air flow—fine tuning for peak performance, and improving seasonal operating efficiency.

## SECONDARY HEAT EXCHANGER

The built-in Secondary Heat Exchanger naturally improves convective heat—removing the need for a fan.





<b>NATURAL GAS</b>	<b>G3 739M DIRECT VENT</b>	<b>G3 739V DIRECT VENT</b>
<b>ENERGUIDE*</b>	<b>70.3%</b>	<b>70%</b>
<b>HIGH</b>	<b>24,000</b>	<b>24,000</b>
<b>LOW</b>	<b>6,500</b>	<b>13,000</b>
<b>MAX OUTPUT*</b>	<b>18,132</b>	<b>18,338</b>

<b>PROPANE</b>	<b>G3 739M DIRECT VENT</b>	<b>G3 739V DIRECT VENT</b>
<b>ENERGUIDE*</b>	<b>70.3%</b>	<b>70%</b>
<b>HIGH</b>	<b>24,000</b>	<b>24,000</b>
<b>LOW</b>	<b>13,000</b>	<b>13,000</b>
<b>MAX OUTPUT*</b>	<b>18,132</b>	<b>18,338</b>

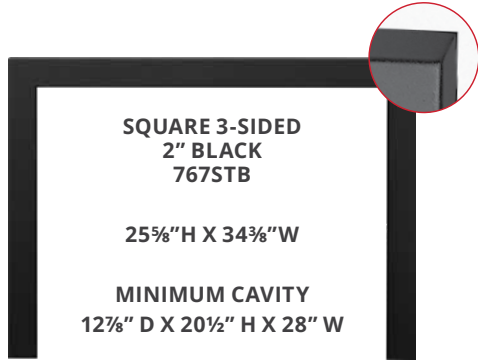
\* EnerGuide ratings and outputs have been determined without a fan/blower, using the CSA p.4.1-15 test method. Certified to ANSI Z21.88/CSA 2.33 Vented Gas Fireplace Heater American National Standard. CGA-2.17-91 Gas fired appliances for use at high altitudes.

# SURROUNDS

Your dealer will help you select from the several sizes and styles to find the coverage your fireplace requires and the look you want. The surrounds below work with all G3 fronts, except the Contemporary Surround front.

## SQUARE SURROUND

Our contemporary square surrounds are 2" deep when seen from the side.

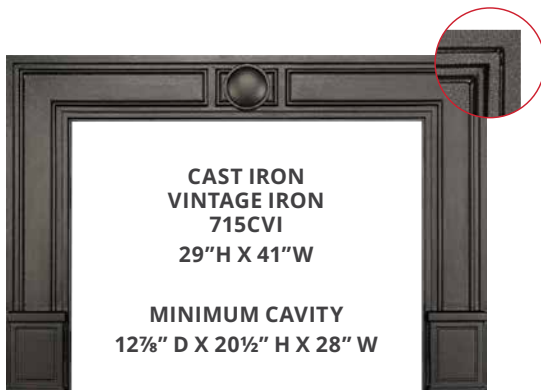
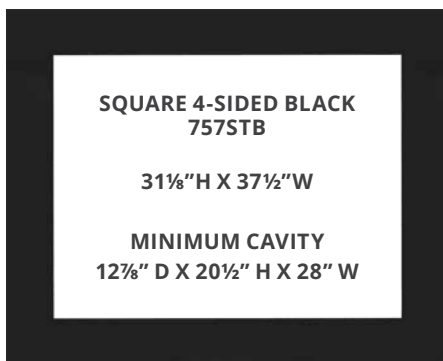
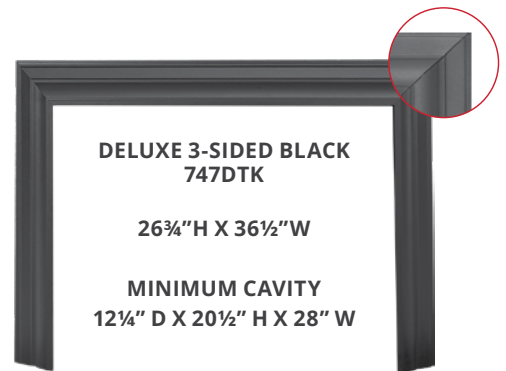


## CLASSIC SURROUNDS

These surrounds come in three styles and sizes to accommodate traditional and contemporary settings.

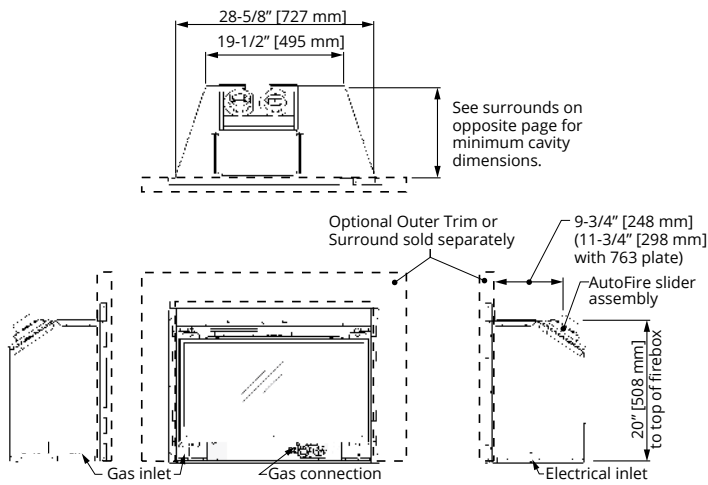


FOR MORE, SCAN THE QR CODE BELOW:

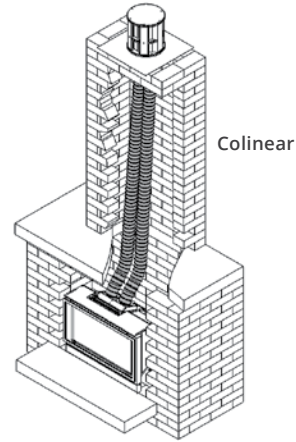


# SPECIFICATIONS

## DIRECT VENT 739



Direct Vent

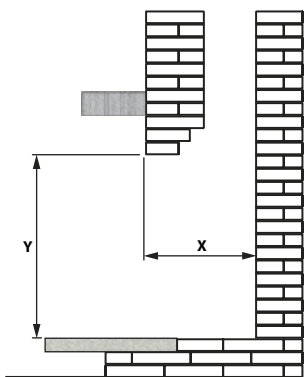


Side Wall Kit  
(not shown) 720SWKM  
Available for direct vent engine.

**ALWAYS REFER TO THE G3 MANUAL FOR COMPLETE INSTRUCTIONS.**



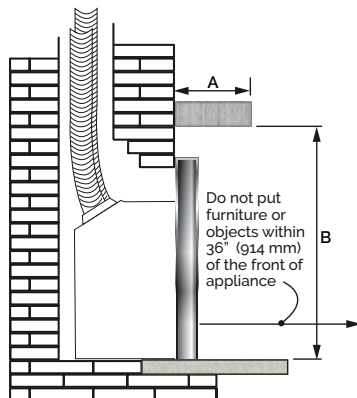
## MINIMUM CAVITY DIMENSIONS



See surrounds on previous page for minimum cavity dimensions.

Note: check that masonry step doesn't interfere with install dimensions or vent pipe.

## VENTING + MANTEL CLEARANCES



A	1"	1-6"	9"	12"
B*	36"	39"	42"	45"

\* Measure taken from the underside of the mantel to finished hearth or surface that the unit is sitting on. Sidewall Clearances: minimum distance from side of appliance (liner box) to combustible wall—9" (229 mm)

# Remote

V-CLASS DRIFTWOOD 739VDWK  
FLUTED BLACK LINER 739FBL  
TRADITIONAL CAST IRON FRONT 742CFB  
DELUXE SURROUND 747DTK

## VALOR REMOTE—STANDARD

Every Valor fireplace comes with a remote. Your remote lets you select, adjust or program your desired temperature—the fire automatically adjusts to maintain the temperature of the room.

Your remote even allows you to turn your pilot light on or off from the comfort of your sofa.

To find out more, visit [valorfireplaces.com/remote](http://valorfireplaces.com/remote)



# OPTIONS

FIRE BEDS		DIRECT VENT 739V	DIRECT VENT 739M
V-Class Traditional Logs	739VLSK	✓	
V-Class Driftwood	739VDWK	✓	
V-Class Birch	739VBLK	✓	
Legend logs	739LSK		✓
Traditional Logs	739TLK		✓
Classic Logs	739CLK		✓
Pebble Beach Driftwood	739DWK		✓
Rocks	739RSK		✓
Decorative Rock, optional <i>Use with Rocks fire bed only.</i>	761DRK		✓

LINERS			
Fluted Black	739FBL	✓	✓
Red Brick	739VRL	✓	✓
Reflective Glass	739RGL	✓	✓

FRONTS			
Matte Black	772MBF2	✓	✓
Clearview Black/Vintage Iron	745CFV	✓	✓
<b>Select a Clearview Fret:</b>			
Clearview Access Panel Black	740CAP	✓	✓
Clearview Cast Black/Vintage Iron	758CCB	✓	✓
Ventana Black	1225VFB	✓	✓
Contemporary front	741SFB	✓	✓
Traditional Cast Iron	742CFB	✓	✓
FenderFire Double Door Black/Vintage Iron	743FVI	✓	✓
FenderFire Single Door Black/Vintage Iron	744FVI	✓	✓
Contemporary Surround front Black	765CSB	✓	✓
Contemporary Surround front Brushed Nickel	765CSN	✓	✓

SURROUNDS			
Square 3-sided, 2" Black	767STB	✓	✓
Square 3-sided Black	756STB	✓	✓
Square 3-sided Vintage Iron	756STV	✓	✓
Square 4-sided Black	757STB	✓	✓
Cast Plate Vintage Iron	715CVI	✓	✓
Contour 3-sided Black	746CTK	✓	✓
Deluxe 3-sided Black	747DTK	✓	✓
Oversized	753OTK	✓	✓
Backing Plate	30½"h x 43"w	763BPB	✓
Square Picture Frame	27⅞"h x 39½"w	764PFB	For Contemporary Surround fronts (765).

OPTIONAL			
Oversized Closure Plate 29½"h x 42"w max. coverage	750OCP	For 3-sided Contour and Deluxe surrounds.	
Riser, Black 40" w x 2 ½" h	751LTK + 752BTK		



## ⚠ WARNING

This product can expose you to chemicals including Benzene, which is known to the State of California to cause cancer and birth defects or other reproductive harm.

For more information go to [www.P65Warnings.ca.gov](http://www.P65Warnings.ca.gov)

[valorfireplaces.com](http://valorfireplaces.com)

V-CLASS BIRCH 739VBLK  
RED BRICK LINER 739VRL  
FENDERFIRE DOUBLE DOOR  
FRONT 743FVI  
OVERSIZED SURROUND 7530TK



BRG326E APR

**valor**  
FIREPLACES