



OUTDOOR GAS FIREPLACES



regency-fire.com

WHY CHOOSE REGENCY?

At Regency, our past 40 years have been focused on providing a high-level of service while building high-quality and reliable products that our customers can enjoy for years to come.

HIGH-QUALITY

Producing a high-quality product has been at the very heart of what we do from when that very first stove rolled off the production line over 40 years ago to today. We are ever-focused on producing quality products for our customers that will last for years to come.

BEST WARRANTY

A fireplace should be reliable and should work right the first time it is used, and the 1,000th. A core part of our business is making sure that we are building long-lasting, durable, high-quality products; we back-up that commitment with the industry's best warranty on all our products.

COST-EFFICIENT

Enjoy the outdoors for longer. Controllable zone heating allows you to extend your patio season earlier in the spring and later into the fall. Enjoy your patio all night long with Regency's outdoor gas fireplaces.

Why Regency? Because it's **more** than a fireplace!

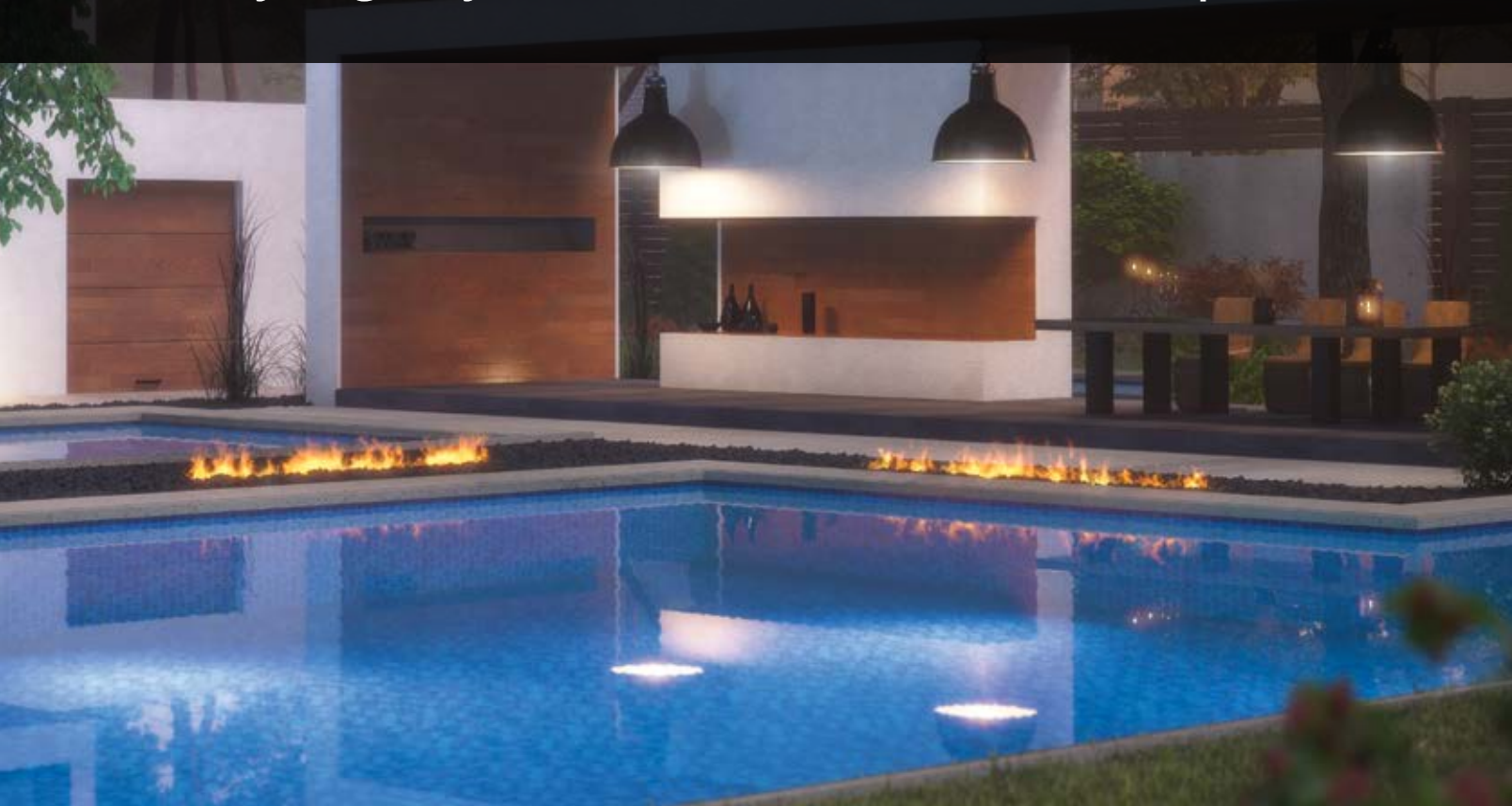


TABLE OF CONTENTS

Regency Grandview™ Outdoor Fireplaces

G1200P	06
G800EC • G800C • G800P	07
G600EC • G600C	08

Regency Horizon™ Outdoor Gas Fireplaces

HZ042	10
HZ060	12

Regency Plateau® Gas Burners

PTO30, PTO50	14
---------------------	-----------

Specifications	18
----------------	-----------



THE GRANDVIEW SERIES



G800P shown with driftwood log set, reflective glass black panels and four sided black faceplate. Installed on a covered patio using the outdoor installation kit.

One Fireplace, Unlimited Possibilities

Ignite your imagination outdoors with the Regency Grandview™ traditional gas fireplace, thoughtfully designed for open-air living spaces. With various design combinations and flexible installation options, it adapts beautifully to patios, backyards, and outdoor entertaining areas. Built to elevate outdoor environments, the Grandview™ series delivers exceptional style, durability, and flexibility to bring your vision to life in any exterior setting.

STANDARD FEATURES

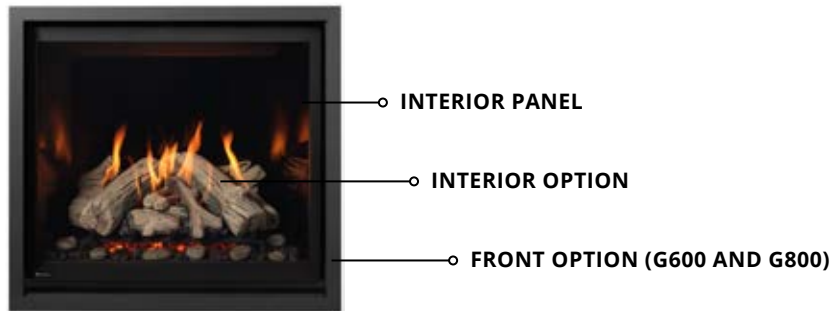
- Clean front design
- Large viewing area
- Natural gas
- Integrated safety screen
- Ceramic glass
- Flame height adjustment control
- Top down and ember-bed lighting (G800EC, G600EC)
- Standing Pilot (Direct Spark Ignition - G800C, G600C) *(US Only)*
- Proflame II GTFM remote control (G800EC, G800P, G600EC)
- Rear or top vent for versatile installations (G800EC, G800C, G600EC, G600C)
- Limited lifetime warranty

OPTIONS

- Choose from a log grate and traditional style log package or contemporary crystal tray
- Brick panels in a variety of colors and designs
- Inner reflective panels in black enamel
- Inner painted black steel panels
- Surrounds in various colors
- Finishing trims for easy finishing around the fireplace
- Variable speed blower (Outdoor conversion kit required)
- Propane conversion kit
- ON/OFF remote control (G800C, G600C) *(US Only)*
- AstroCap® venting system
- Outdoor conversion kit

OPTIONS & ACCESSORIES FOR GRANDVIEW

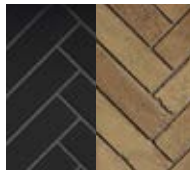
CHOOSE YOUR LOOK



MULTIPLE INTERIOR PANELS



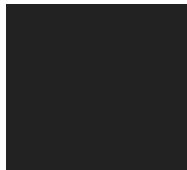
Rustic Brown
Brick Panels



Herringbone - Black
or Rustic Brown
Brick Panels



Volcanic Black
Brick Panels



Painted Black
Steel Panels



Black Enamel or Black
Glass Reflective Panels

MULTIPLE INTERIOR OPTIONS



Birch Log Set



Oak Log Set



Driftwood Log Set



Driftwood Log Set
(G600 series)

Available for G600 & G800 Series Only



Crushed Glass -
Ginger



Crushed Glass -
Coal Black



Crushed Glass -
Iceberg



Volcanic Stones

MULTIPLE FRONT OPTIONS (Available for G600 & G800 Series Only)



Clean Front
Finishing Trim



Outside
Finishing Trim



Faceplate

FACEPLATE AVAILABLE IN THREE COLORS:



Black



Brushed Nickel



Antique Copper

REGENCY GRANDVIEW™ G1200P

Extra Large Premium Gas Fireplace



G1200P shown with driftwood log set and reflective glass black panels. Installed on a covered patio using the outdoor installation kit.

SPECIFICATIONS	FUEL TYPE		DIMENSIONS	
	NATURAL GAS	PROPANE		
Max. Input (BTU)	53,000	53,000	Width	55"
Turn down to (BTU)	13,500	13,500	Height	42-3/4"
Efficiency (steady state)	72.58%	74.08%	Depth	28-7/8"
EnerGuide Rating (Canada only)	66.58%	67.96%	Glass Viewing Area	1200 sq. in.

REGENCY GRANDVIEW™ G800EC • G800C • G800P

Medium Gas Fireplaces



G800C shown with oak log set and reflective glass black panels. Installed on a covered patio using the outdoor installation kit.

SPECIFICATIONS	G800EC		G800C		G800P	
	NATURAL GAS	PROPANE	NATURAL GAS	PROPANE	NATURAL GAS	PROPANE
Input (BTU)	27,000	25,500	27,000	26,500	36,000	34,000
Turn down to (BTU)	15,000	21,000	15,000	14,500	19,500	27,000
Efficiency (steady state)	65.20%	68.16%	61.12%	63.62%	65.20%	68.16%
EnerGuide Rating (Canada only)	55.96%	57.74%	55.96%	55.03%	58.73%	57.94%

DIMENSIONS	
Width	35-7/8"
Height	33-7/8"
Depth	16-7/8"
Viewing Area	800 sq. in.

REGENCY GRANDVIEW™ G600EC • G600C

Small Gas Fireplaces



G600C shown with birch log set and reflective glass black panels. Installed on a covered patio using the outdoor installation kit.

SPECIFICATIONS	G600EC		G600C	
	NATURAL GAS	PROPANE	NATURAL GAS	PROPANE
Input (BTU)	21,000	20,500	21,000	20,500
Turn down to (BTU)	11,500	16,500	11,500	11,000
Efficiency (steady state)	71.17%	72.80%	71.18%	72.71%
EnerGuide Rating (Canada only)	64.80%	67.22%	64.79%	66.76%

DIMENSIONS	
Width	31-7/8"
Height	29-7/8"
Depth	14-5/8"
Viewing Area	600 sq. in.

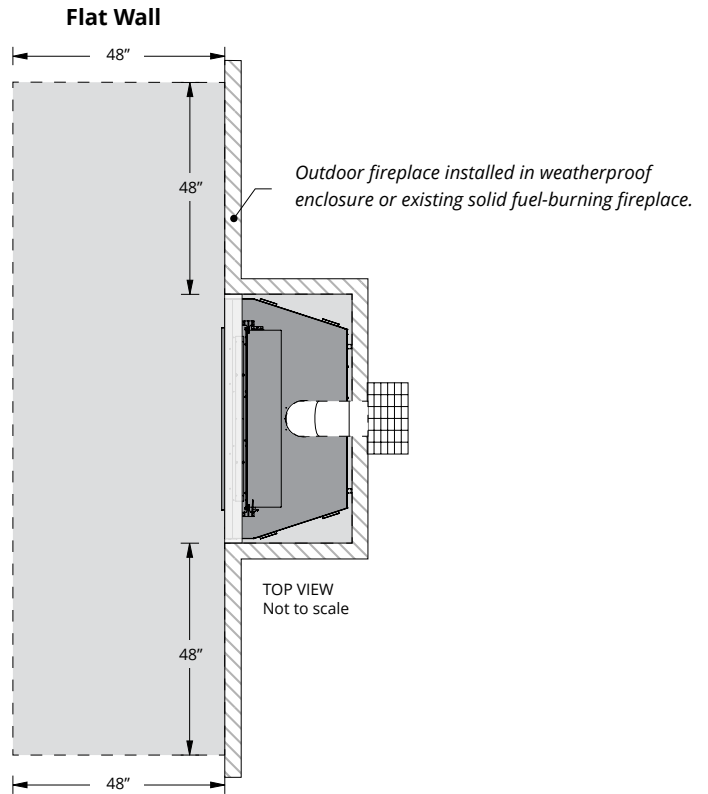
GRANDVIEW SERIES INSTALLATION

LOCATION

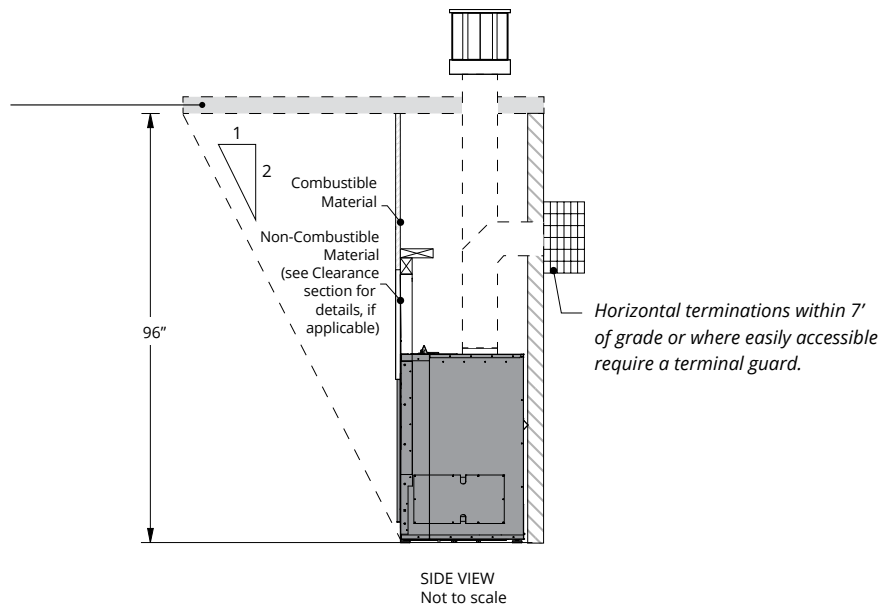
For the purposes of this installation manual the term “outdoor” means installed outside of the insulated building envelope within a weatherproof enclosure or existing solid-fuel burning fireplace having a minimum required overhang. The outdoor space may be attached or free standing to the main/primary structure and may or may not include walls.

NOTE

The fireplace will not perform as an exterior wall. If installed against an exterior wall we recommend the appliance enclosure or chase be constructed completely outside of the insulated building envelope and weather membrane. The fireplace must be permanently situated and connected to a fixed piping system, it is not portable.



The minimum weatherproof overhang in front and at sides of the fireplace is 1/2 of the height of the overhang (as shown with 96" framing height) measured from the base of the unit.



REGENCY HORIZON™ HZO42

Outdoor Gas Fireplace



HZO42 shown with crystals.

DESIGN YOUR OWN OUTDOOR FIREPLACE

Enjoy the drama of beautiful wide-angle flames amplified by a reflective stainless steel body. A tempered glass wind shield maintains the strong flame picture, while the seasonal weather cover (included) protects the fireplace when it's not in use. Choose from a host of fine fire bed selections to create a flame experience as unique as you.

SPECIFICATIONS	NATURAL GAS	PROPANE
Input (BTU)*	44,500	43,500

* Figure will vary with individual conditions and fuel quality.

DIMENSIONS	
Faceplate width	39-1/2"
Faceplate height	17"
Viewing area	449 sq. in.



HZO42 shown with driftwood ceramic log set & optional framing kit.

STANDARD FEATURES

- Natural gas or propane
- Stainless steel linear burner covered with copper crystals
- Stainless steel faceplate with seasonal weather cover
- Stainless steel heat deflector & inner panels
- Tempered glass wind shield
- Easy access on/off switch
- Electronic ignition system
- Safety valve (turns gas off if flame goes out)
- Runs on a battery pack
- Approved for outdoor installation only
- No venting required

OPTIONS

- Crystals or firebeads in various colors
- Volcanic stones in various colors
- Ceramic driftwood log set
- River pebbles
- Framing kit
- Hardwire kit (hardwire directly into household wiring)

REGENCY HORIZON™ HZO60

Outdoor Gas Fireplace



HZO60 shown in see-through application.

REGENCY'S LARGEST OUTDOOR GAS FIREPLACE EVER!

HZO60 is the perfect combination of style and comfort. This impressive 60" outdoor fire feature converts from single-sided to see-through design perspective. Harness the power of 64,000 BTU's to remove the chill from night air so you can enjoy your patio for longer!

SPECIFICATIONS	NATURAL GAS	PROPANE
Input (BTU)*	64,000	62,000

* Figure will vary with individual conditions and fuel quality.

DIMENSIONS	
Width	60"
Height	17"
Depth	18"
Viewing area	up to 1,020 sq. in.



HZO60 shown in single-sided application.

STANDARD FEATURES

- Natural gas
- Stainless steel linear burner
- Single-sided or see-through design
- Stainless steel inner panels
- Tempered glass wind shield
- Easy access on/off switch
- Electronic ignition system
- Safety valve (turns gas off if flame goes out)
- Runs on a battery pack
- Approved for outdoor installation only
- No venting required

OPTIONS

- Stainless steel faceplate
- Stainless steel burner perimeter finishing trim
- Stainless steel burner cover
- Crystals or firebeads in various colors (must choose one)
- Volcanic stones in various colors
- Ceramic driftwood log set
- Hardwire kit (hardwire directly into household wiring)
- Propane conversion kit

REGENCY PLATEAU® BURNER PTO30 & PTO50

Outdoor Gas Burner



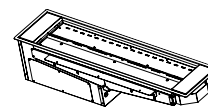
Two PTO50's (100") connected end to end, shown in custom application.

CREATE THE BACK YARD OF YOUR DREAMS

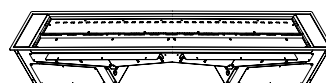
These sleek linear stainless-steel burners add warmth and ambiance to any outdoor space. Customize your design by connecting two 50" burners for a 100" feature or pairing with a 30" burner for an 80" setup. The 30" (PTO30) unit can also be doubled to 60". Perfect for homeowners and designers, this versatile burner transforms your outdoor sanctuary into a stunning retreat

SPECIFICATIONS	30"		60"	
	NATURAL GAS	PROPANE	NATURAL GAS	PROPANE
Input (BTU)*	50,000	49,000	100,000	98,000

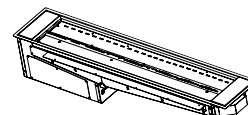
SPECIFICATIONS	50"		100"	
	NATURAL GAS	PROPANE	NATURAL GAS	PROPANE
Input (BTU)*	64,000	62,000	128,000	196,000



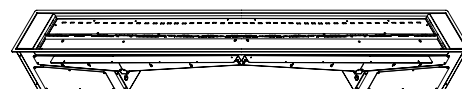
30"
PTO30 burner



60"
Two PTO30 burners
connected end to end



50"
PTO50 burner



100"
Two PTO50 burners connected end to end

* Figure will vary with individual conditions and fuel quality.



Custom application using the Regency Plateau® PTO30 burner and see-through framing kit with Stainless Steel Panels.

STANDARD FEATURES

- Natural Gas
- Stainless steel linear burner
- Combine two burners for a more impressive fire feature
- Easy access on/off switch
- Electronic ignition
- Safety valve (turns gas off if flame goes out)
- Runs on a battery pack
- Approved for outdoor installation only
- No venting required

OPTIONS

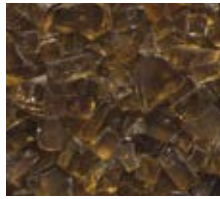
- Stainless steel burner cover
- Crystals or firebeads in various colors (must choose)
- Volcanic stones in various colors
- Ceramic driftwood log set
- Tempered glass wind shield (4-pc) with seasonal weather cover - recommended
- Table framing kits (includes ventilation grills)
- See-through framing kit (PTO30 only)
- Optional 3pc brushed stainless steel panels (top + sides) for see-through framing kit
- Hardwire kit (hardwire directly into household wiring)
- Propane conversion kit

FINISHING OPTIONS

CRYSTALS & FIREBEADS



Crystals - Black



Crystals - Copper



Crystals - Starfire



Firebeads - Black



Firebeads - Caramel Luster



Firebeads - Glacier Ice

STONES & LOGS



Volcanic Stones - Gray



Volcanic Stones - Tan



River Pebbles
(HZO42 only)



Driftwood Ceramic Log Set

1-2-3 INSTANT FIREPLACE - HZO42

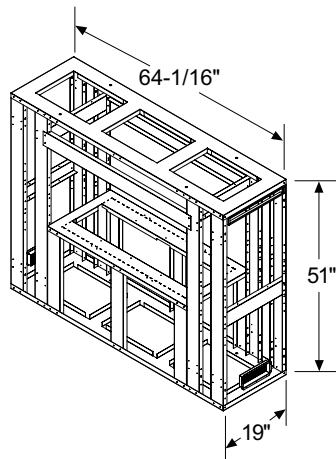


No fireplace? No problem! The Regency steel framing kit allows you to install and finish your outdoor gas fireplace in no time...

DIMENSIONS: 60" W x 20" D x 52-1/2" H

FRAMING KITS

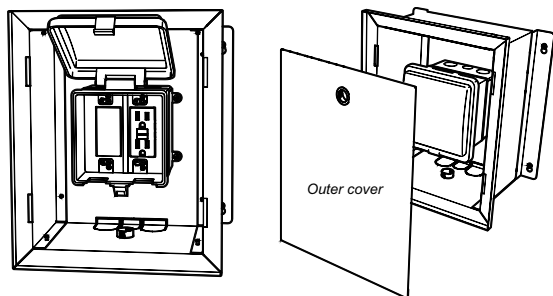
PTO30 SEE-THROUGH FRAMING KIT



Custom application using the Regency Plateau™ PTO30 burner and see-through framing kit with Stainless Steel Panels.

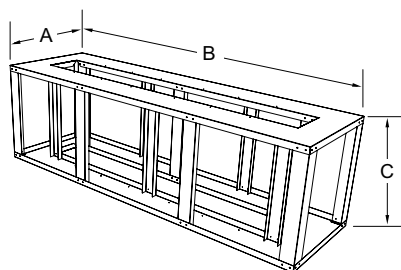
NOTE: Ventilation grills are required for all enclosures. This is to alleviate moisture and allow air to circulate. Depending on model either 2 or 4 ventilation grills with a minimum 20 sq in. for each grill are required. See manual for details.

HARD WIRE KIT



Hard wire kit is perfect for residential or commercial applications (not available for PTO30CFT).

TABLE FRAMING KIT

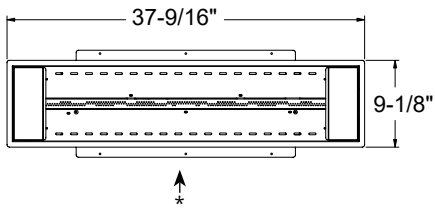


FRAMING	50"	60"
A	24"	24"
B	69"	79"
C	24"	24"

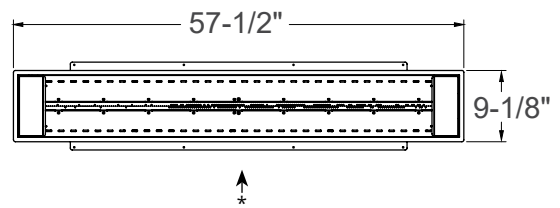
NOTE: Finishing materials are not included with framing kits.

DIMENSIONS

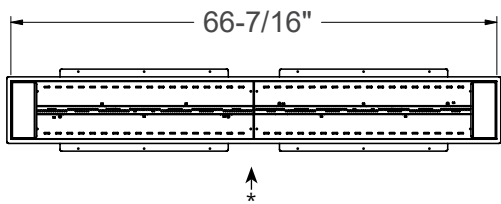
PTO30



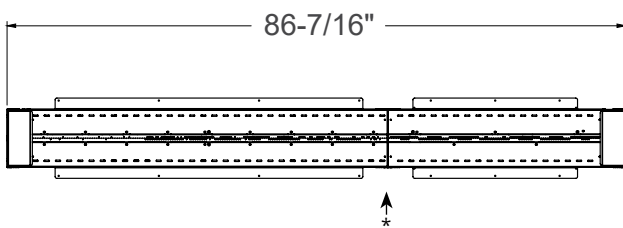
PTO50



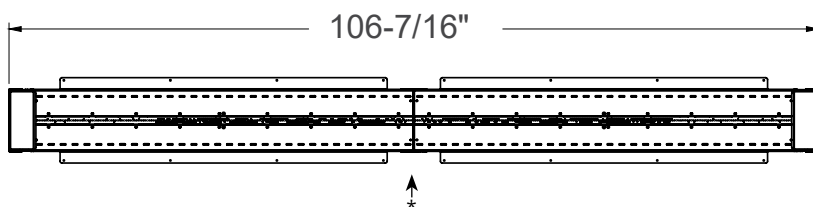
PTO60 (2 X PTO30 JOINED END TO END)



PTO80 (PTO30 & PTO50 JOINED END TO END)



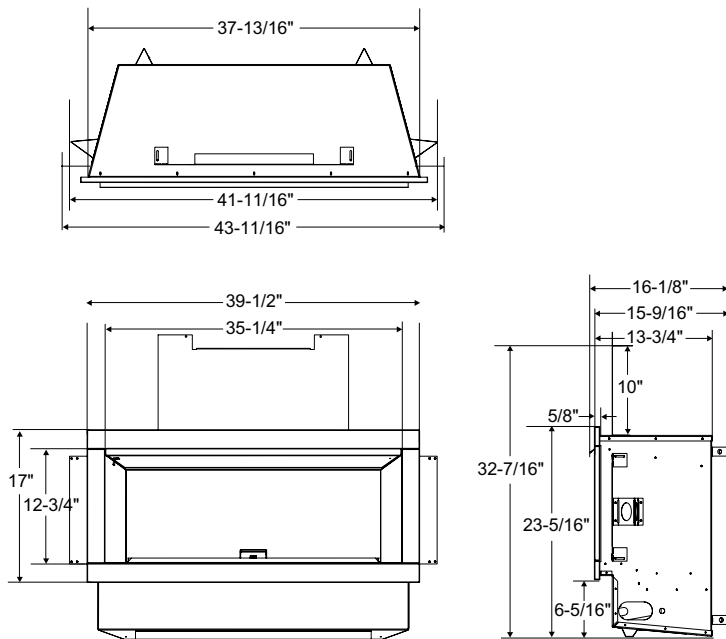
PTO100 (2 X PTO50 JOINED END TO END)



*NOTE: Gas Connection/Electrical connection locations if using optional Hardwire Kit.

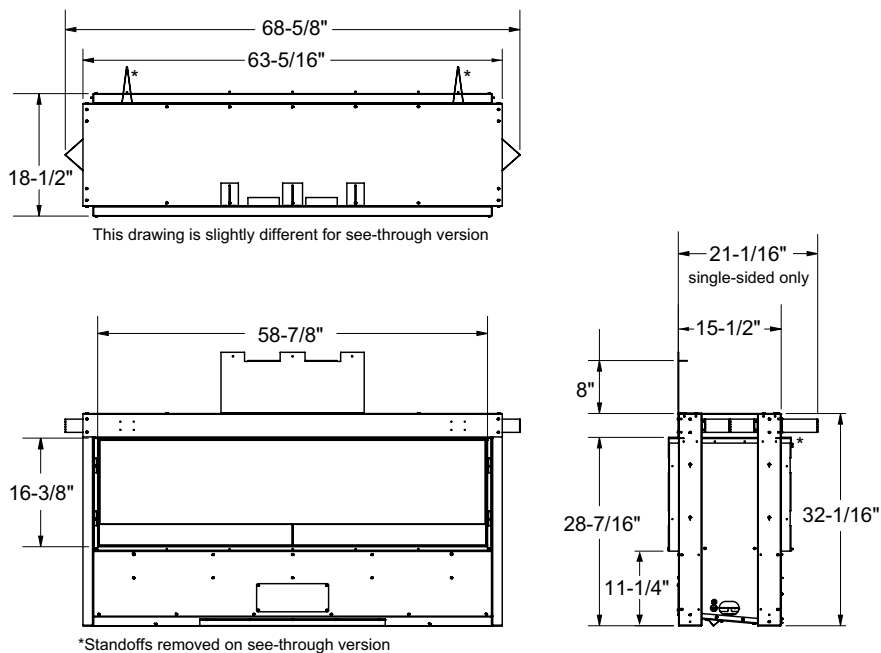
DIMENSIONS

SPECIFICATIONS HZO42



NOTE: Gas Connection/Electrical connections if using optional Hardwire Kit are located on left hand side of appliance.

SPECIFICATIONS HZO60 Single sided and see-through

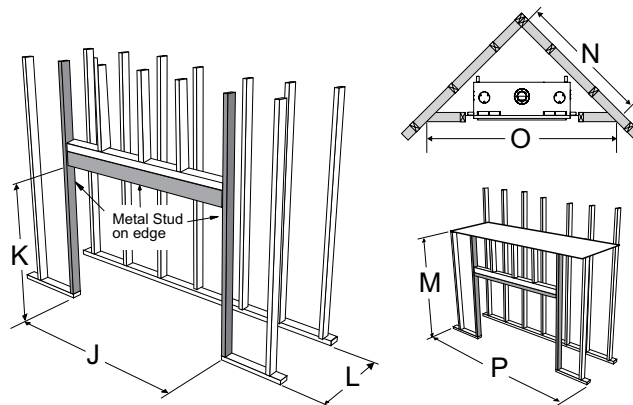


NOTE: Gas Connection/Electrical connections if using optional Hardwire Kit are located on left hand side of appliance.

DIMENSIONS

FRAMING

	HZO42	HZO60
J	42-3/16"	69"
K	32-11/16"	40-1/4"
L	20"	22-1/4"
M	52-1/2"	43-3/4"
N	40-7/16"	76-13/16"*
O	54-3/16"	108-5/8"*
P	60"	--

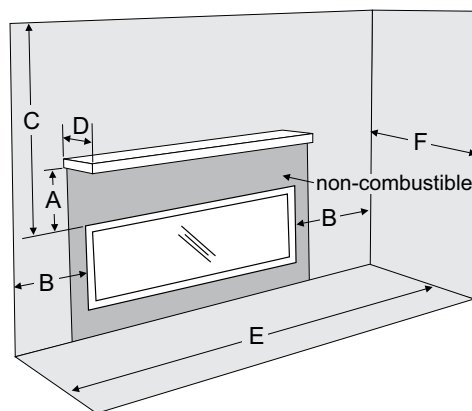


*Single sided only

Note: Please refer to the manual for specific framing instructions for the see through configuration.

CLEARANCES

	HZO42	HZO60*
A (min)	18"	22"
B	11"	11"
C	36"	36"
D (max)	12"	12"
E	57"	86"
F	36"	36"



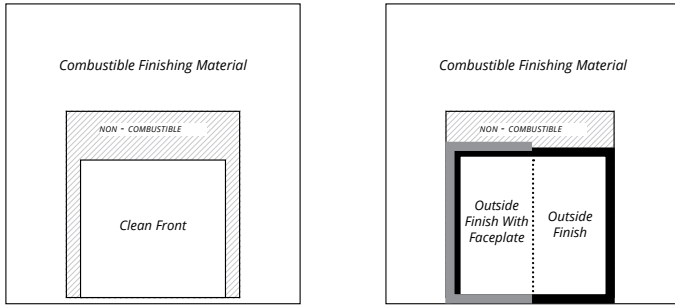
* The same clearances apply for the see through configuration.

For installation, framing and clearances see manuals on our website: www.regency-fire.com

NOTE: All product specifications are subject to change without notice. Before installing refer to the relevant product manual for full and up-to-date information.

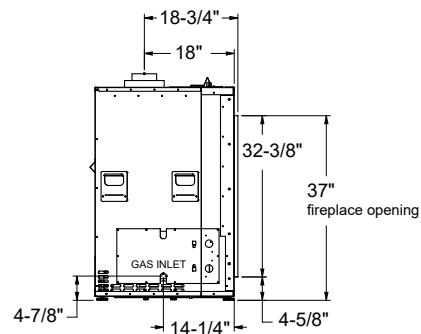
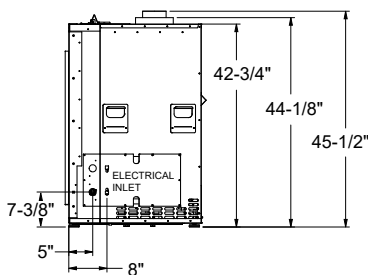
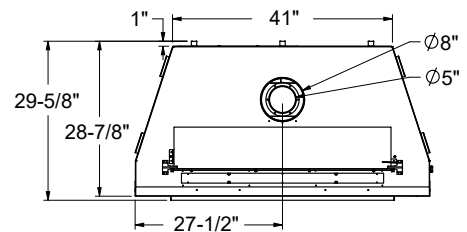
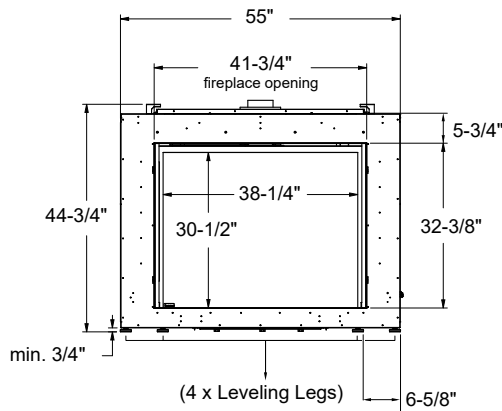
INSTALLATION OPTIONS - G1200P, G800EC, G800C, G800P

Non-Combustible Finishing Install



OPTIONS	G800EC	G800C	G800P	G1200P
Min. Enclosure Ceiling	62"	62"	62"	96"

DIMENSIONS - G1200P

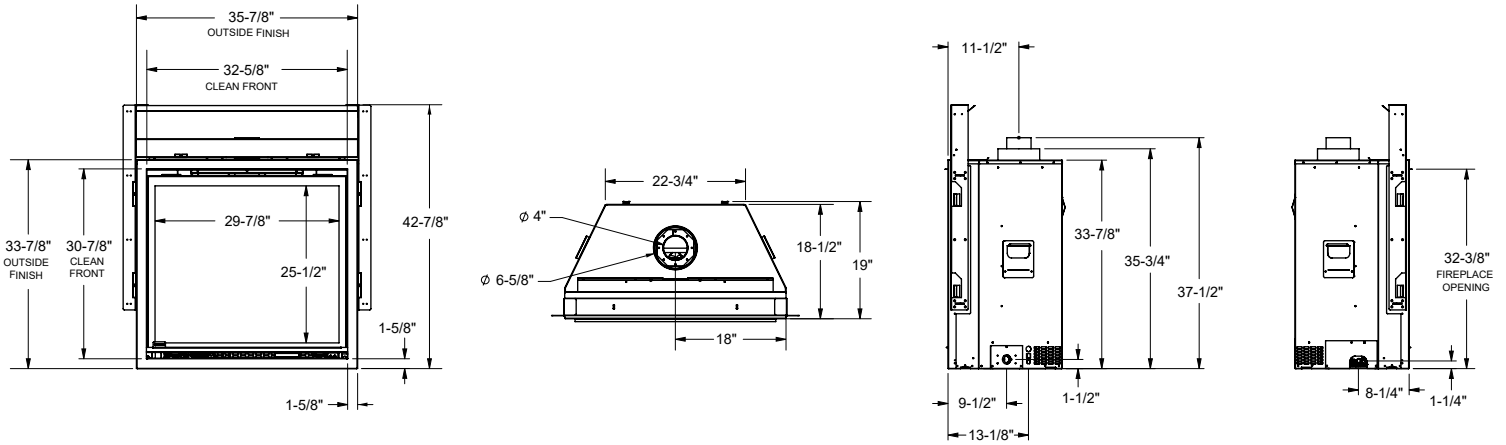


For installation, framing and clearances see manuals on our website: www.regency-fire.com

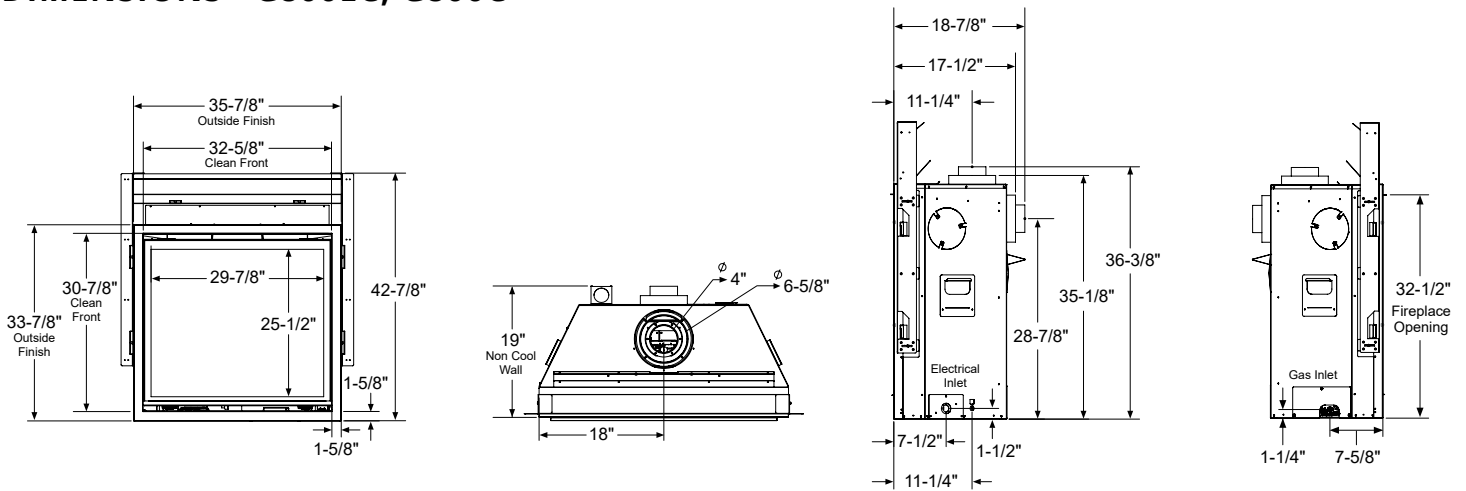
NOTE: All product specifications are subject to change without notice. Before installing refer to the relevant product manual for full and up-to-date information.

SPECIFICATIONS

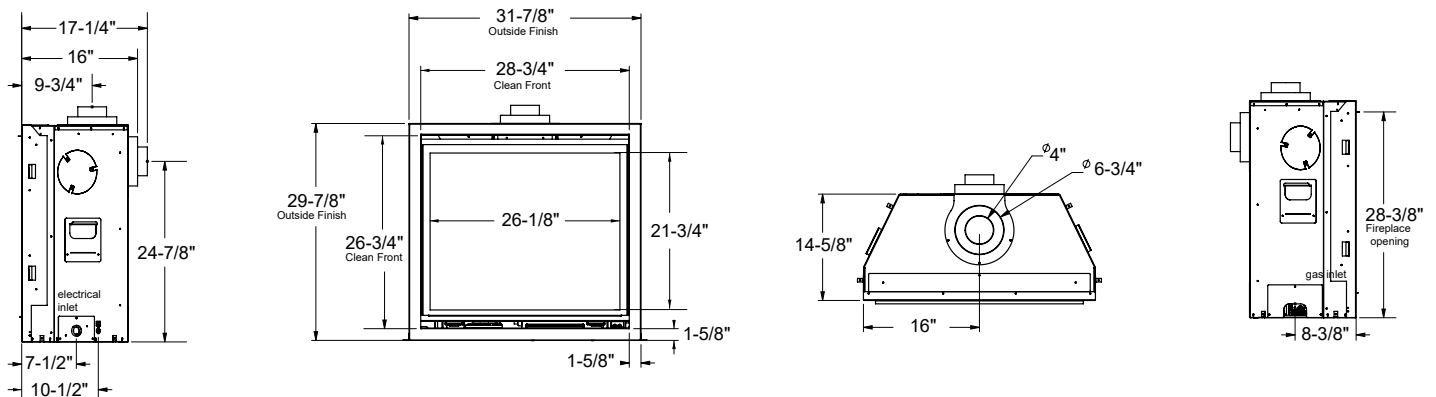
DIMENSIONS - G800P



DIMENSIONS - G800EC, G800C



DIMENSIONS - G600EC, G600C



For installation, framing and clearances see manuals on our website: www.regency-fire.com

NOTE: All product specifications are subject to change without notice. Before installing refer to the relevant product manual for full and up-to-date information.

READY TO BUY



QUALITY GUARANTEED - INDUSTRY LEADING WARRANTIES

All Regency Fireplaces are manufactured in North America in our state-of-the-art manufacturing facility. When choosing to purchase a Regency fireplace, you choose high-quality craftsmanship, top-tier materials, and industry-leading support!

Add the warmth and comfort of a fireplace to your home, create memories that will last a lifetime, and rest easy knowing that your Regency is backed by the best warranty in the industry.

We have also carefully selected a dealer network that is committed to your satisfaction. We know that you will be as proud of your Regency as we are.



Find More Products at **REGENCY-FIRE.COM**

Your Regency Dealer

©2026 FPI Fireplace Products International Ltd. Regency®, Regency Horizon™ and Regency Plateau® are the registered or proprietary trademarks of FPI Fireplace Products International Ltd. All rights reserved. Printed in Canada (04/26)
Part no. 944-406