

Installation Instructions

Model Numbers: MQRB4436N, MQRB4436NE, MQRB4436NE2, MQRB4436LP, MQRB4436LPE, MQRB4436LPE2
MQRB5143N, MQRB5143NE, MQRB5143NE2, MQRB5143LP, MQRB5143LPE, MQRB5143LPE2
Certified to: ANSI Z21.88:19 • CSA 2.33:19 and CSA 2.17-2017

Model Numbers: MQRB6961N, MQRB6961NE, MQRB6961NE2, MQRB6961LP, MQRB6961LPE, MQRB6961LPE2
Certified to: ANSI Z21.88:19 • CSA 2.33:19 and CSA 2.17-2017

ZERO CLEARANCE VENTED GAS FIREPLACE

⚠ WARNING:
FIRE OR EXPLOSION HAZARD
Failure to follow safety warnings exactly could result in serious injury, death, or property damage.

- Do not store or use gasoline or other flammable vapors and liquids in the vicinity of this or any other appliance.
- **WHAT TO DO IF YOU SMELL GAS**
 - Do not try to light any appliance.
 - Do not touch any electrical switch; do not use any phone in your building.
 - Leave the building immediately.
 - Immediately call your gas supplier from a neighbor's phone. Follow the gas supplier's instructions.
 - If you cannot reach your gas supplier, call the fire department.
- Installation and service must be performed by a qualified installer, service agency or the gas supplier.

INSTALLER: Leave this manual with the appliance.
CONSUMER: Retain this manual for future reference.

⚠ WARNING: If the information in these instructions is not followed exactly, a fire or explosion may result causing property damage, personal injury or loss of life.

NOT FOR USE WITH SOLID FUEL.

Kingsman Fireplaces maintains a program of continuous testing, refinement and improvements of all its products. Some aspect of units shown here may be changed at any time without notice or obligation.

⚠ DANGER



HOT GLASS WILL CAUSE BURNS.
DO NOT TOUCH GLASS UNTIL COOLED.
NEVER ALLOW CHILDREN TO TOUCH GLASS.

A barrier designed to reduce the risk of burns from the hot viewing glass is provided with this appliance and must be installed for the protection of children and other at-risk individuals.

If the barrier becomes damaged, the barrier must be replaced with the manufacturer's barrier for this appliance.





Table of Contents

Table of Contents.....	2-3
Child Safety Screen –Installation.....	4
Child Safety Screen – Removal.....	5
Recommendations for Finishing of Clean View Linear Products.....	6
Pre-installation Questions and Answers / Operating Instructions.....	7
Warnings, Installations and Operations.....	8
Installation Requirements for the Commonwealth of Massachusetts / Carbon Monoxide (CO) Detector.....	9
Fireplace Installations in Covered Outdoor Locations.....	10
Nailing Tab Guide for all Units.....	11
MQRB4436	
MQRB4436: Framing Your Gas Fireplace.....	12
MQRB4436 Locating Your Appliance / Fireplace Dimensions.....	13
MQRB4436 - Pre-existing Enclosures vs Framing Enclosure Around Fireplace.....	14
MQRB4436 -See Thru Framing.....	15-16
MQRB4436 Single Sided Framing.....	17-18
MQRB4436 Combustible Enclosure Heights.....	19
MQRB4436 Surround Dimensions / Surround Clearances.....	20
MQRB4436 Facing Material Requirements.....	21
MQRB4436 Mantel Clearances / Clearance to Combustibles.....	22
MQRB5143	
MQRB5143: Framing Your Gas Fireplace.....	23
MQRB5143 Locating Your Appliance / Fireplace Dimensions.....	24
MQRB5143 - Pre-existing Enclosures vs Framing Enclosure Around Fireplace.....	25
MQRB5143 -See Thru Framing.....	26-27
MQRB5143 Single Sided Framing.....	28-29
MQRB5143 Combustible Enclosure Heights.....	30
MQRB5143 Surround Dimensions / Surround Clearances.....	31
MQRB5143 Facing Material Requirements.....	32
MQRB5143 Mantel Clearances / Clearance to Combustibles.....	33
MQRB6961	
MQRB6961: Framing Your Gas Fireplace.....	34
MQRB6961 Locating Your Appliance / Fireplace Dimensions.....	35
MQRB6961 - Pre-existing Enclosures vs Framing Enclosure Around Fireplace.....	36
MQRB6961 -See Thru Framing.....	37-38
MQRB6961 Single Sided Framing.....	39-40
MQRB6961 Combustible Enclosure Heights.....	41
MQRB6961 Surround Dimensions / Surround Clearances.....	42
MQRB6961 Facing Material Requirements.....	43
MQRB6961 Mantel Clearances / Clearance to Combustibles.....	44
Kits and Accessories	
BK Kit Installation MQRB4436BK / MQRB5143BK / MQRB6961BK–Single View.....	45-46
BK Liner Installation.....	47
MQRB44SK / MQRB51SK / MQRB69SK (See Thru Kit) Installation.....	48
SK Liner Installation.....	49
MQRB44RLF / MQRB51RLF / MQRB69RLF Fluted Liners.....	50
MQRB4436, MQRB5143 & MQRB6961 Finishing Options.....	51
MQRB4436 / MQRB5143 / MQRB6961 Surround Installation.....	52
Fan Installation MQRB4436 / MQRB5143 / MQRB6961.....	53
Fan Speed Control Outside of Fireplace.....	54
Optional Glass Ember Installation.....	55
Optional Driftwood & Rock Installation.....	56
MQ46D Driftwood / RCB1 Cannonballs.....	57
MQRBD3 Driftwood Log Set (5pcs).....	58
MQLOAK1 Log Set– Infinite Series 4436, 5143, 6961.....	59
MQLOAK2 (To be used with MQLOAK1) - Infinite Series 6961ZDV.....	60-61
MQRBRW Birch Log Set (5pcs).....	62

General Installation, Use, and Maintenance

Door and Glass Information.....	63
Door Latch Tool.....	64
Valve Access Cover Removal / Removable Lower Face Panel.....	65
Gas Line Installation / Gas Specifications.....	66
Millivolt System, Lighting, and Burner Control.....	67
Lighting Instructions for Millivolt Valve with 7 Day Timer.....	68
Troubleshooting the Millivolt Gas Control System.....	69
Annual Inspection List for Determining Safe Operation of a Direct Vent Gas Fireplace.....	70
Burner System Maintenance.....	71
Gas Conversion for Top Convertible Pilot.....	72
820 Nova mV Modulating Conversion Kit.....	73
MQRB4436 Burner Section: Gas Conversion.....	74
MQRB5143 Burner Section: Gas Conversion.....	75
MQRB4436 / MQRB5143 Burner Tube Removal / Burner System Removal/Installation Guide.....	76
MQRB4436 / 5143 / 6961 Moving Valve to Other Side of Fireplace.....	77
MQRB6961 Burner Section: Gas Conversion.....	78
MQRB6961 Burner Tube Removal / Burner System Removal/Installation Guide.....	79
LK2 Halogen Lamp Kit (MQRB4436, MQRB5143).....	80
LK3 Halogen Lamp Kit (MQRB6961).....	81
Remote Receiver Location.....	82
UHS Box / Component Locations.....	83

Proflame 1 IPI Section

IPI Electronic Ignition System.....	84
Remote Control Operation.....	85
IPI Electronic Ignition Parts List – Standard System.....	86
IPI Schematic Drawing #1: Basic Manual Hi / Lo – Manual On / Off.....	87
Configuration #2: Remote ON/OFF and Manual HI/LO Capabilities.....	88
Operating the Receiver Without Batteries For GT / EGT / GTM / EGTM Remote Controls.....	89
Configuration #3: Remote ON/OFF, variable HI/LO, and fan capabilities.....	90
Electronic Ignition Lighting Instructions.....	91

Proflame 2 IPI System

Proflame 2 IPI System Parts List.....	92
Proflame 2 IFC Module and Remote Control.....	93
Cold Climates – CPI Setting - Proflame 2 Remote Control.....	94
Proflame 2 Remote Control.....	95-96
Proflame 2 Label Diagram.....	97
WMBH – Wall Mount Battery Holder- Option.....	98

Venting

Vent Terminal Clearances.....	99
General Vent Installation Information.....	100-101
Horizontal Vent Table.....	102
Venting Examples / Wall Thimble and Roof Support.....	103
Installation of Side Wall Venting.....	104
Z57ST24 / Z57ST36 Horizontal Snorkel Terminations MQRB4436 / MQRB5143.....	105
Venting Straight Up Through Roof.....	106-107
Flue Restrictor Adjustment MQRB4436 & MQRB5143.....	108
Approved for PVH58 / PVH58FM Power Vent.....	109
Power Vent Control Module Installation.....	110

Parts Lists

PVH58 / PVH58FM Parts List.....	111-112
MQRB4436 -Parts List.....	113-114
MQRB5143 -Parts List.....	115-116
MQRB6961 -Parts List.....	117-118
Common Parts for MQRB4436, MQRB5143 and MQRB6961.....	119-120
Glass Safety / Termination Cap Safety –All Units-.....	121
Limited Lifetime Warranty.....	122

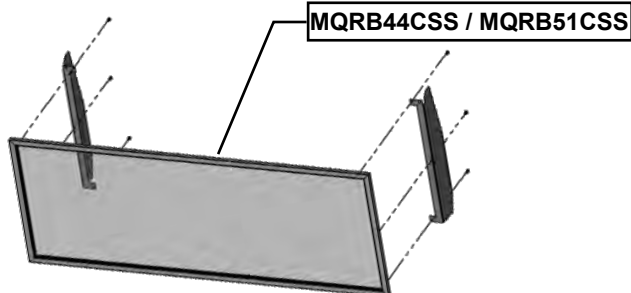
MQRB44CSS / MQRB51CSS

Contents of Kit:

- [1] Child Safety Screen
- [2] Screen Mount Brackets
- [6] 3/8" x 1/2" Screws

Assembly Instructions:

Fasten Screen Mount Brackets to Child Safety Screen with supplied screws.



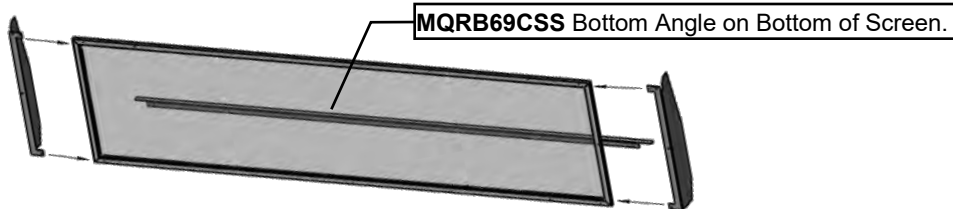
MQRB44CSS / MQRB51CSS

MQRB69CSS Contents of Kit:

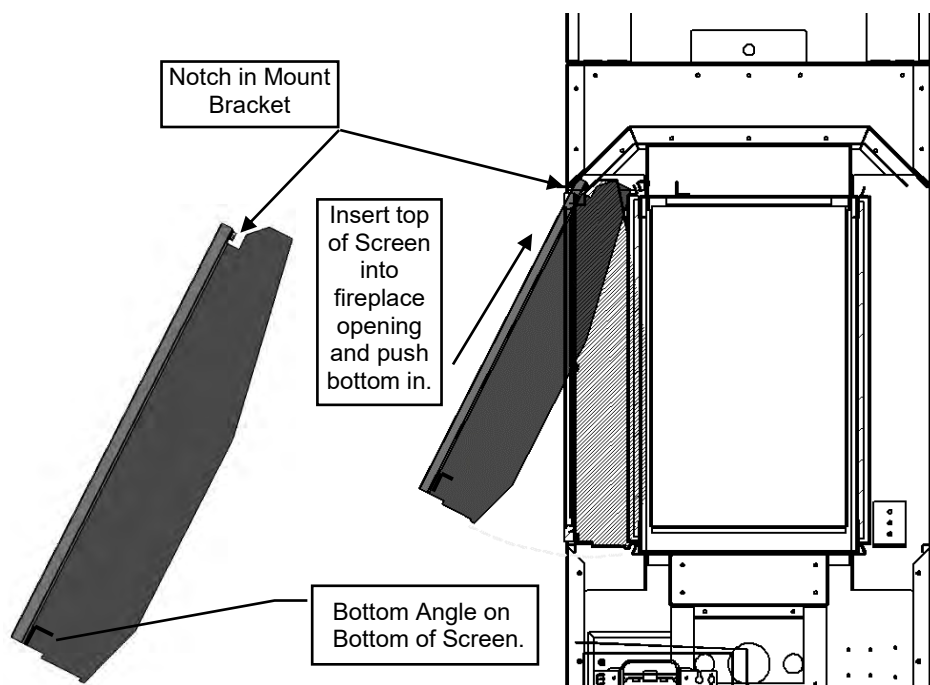
- [1] Child Safety Screen
- [1] Bottom Angle
- [2] Screen Mount Brackets
- [11] 3/8" x 1/2" Screws

Assembly Instructions:

Fasten Screen Mount Brackets to Child Safety Screen with supplied screws.



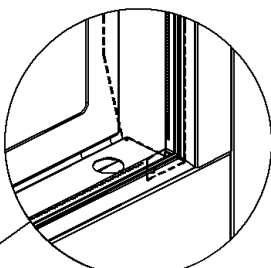
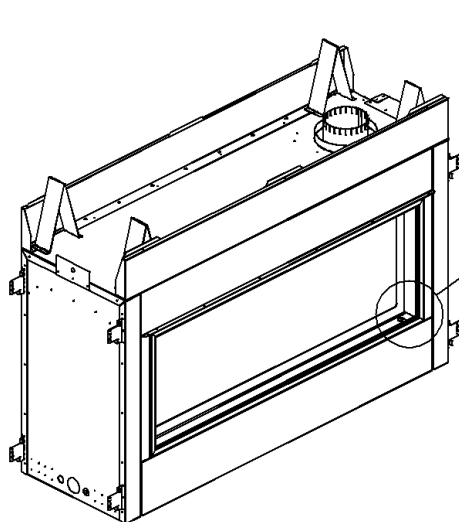
MQRB69CSS Bottom Angle on Bottom of Screen.



Notch in Mount Bracket

Insert top of Screen into fireplace opening and push bottom in.

Bottom Angle on Bottom of Screen.



Drop Screen into place. Mount Brackets will lock screen in place.

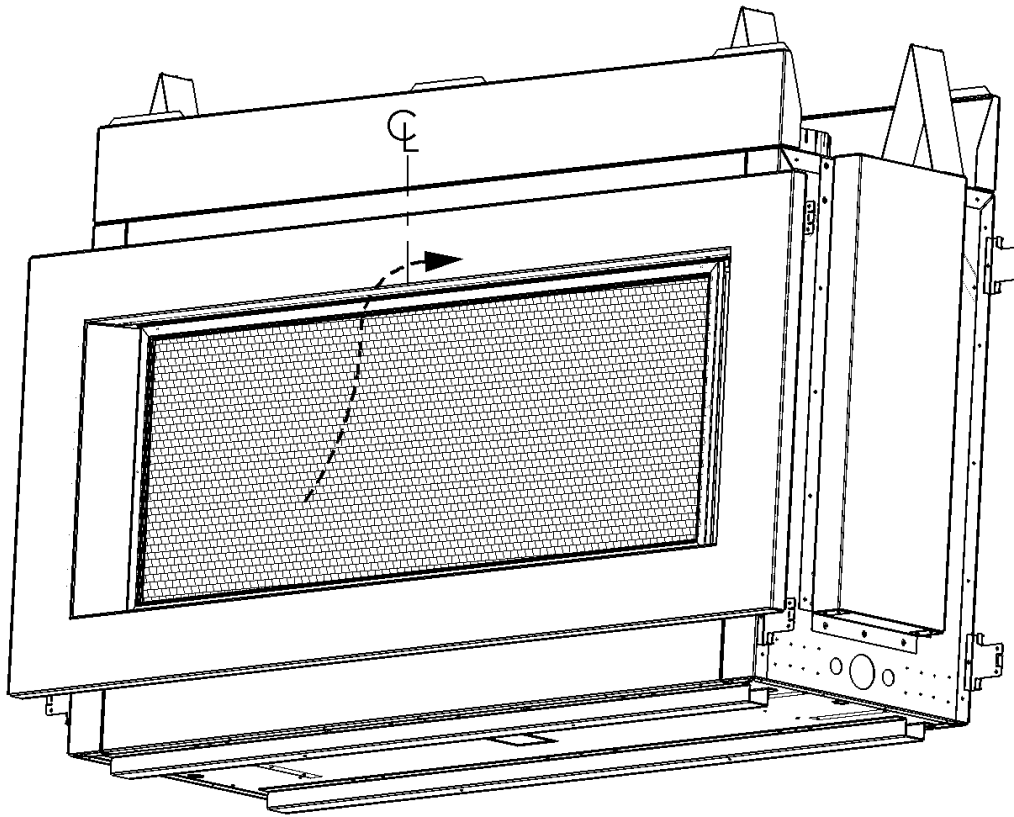
⚠ WARNING:
Wait until unit is **COMPLETELY** cool before touching glass or attempting to install or remove Child Safety Screen.

To remove Safety Screen, **WAIT UNTIL FIREPLACE IS COMPLETELY COOL.** Push up Screen Frame and pull bottom away from fireplace.

To remove Safety Screen, **WAIT UNTIL FIREPLACE IS COMPLETELY COOL.**

Locate approximate top center of screen. Push upward and inward in a rapid motion.

Bottom of screen will push out.



⚠ WARNING:
Wait until unit is
COMPLETELY cool
before touching glass
or attempting to install
or remove Child Safety
Screen.

Locate approximate top center of screen.



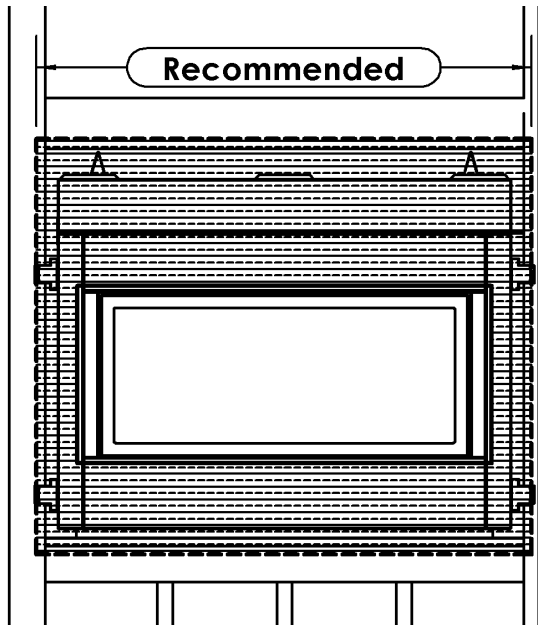
Push upward and inward in a rapid motion.



Recommendations for Finishing of Clean View Linear Products

When finishing the wall around the fireplace, it is critical that the wall covering be fastened properly. It is acceptable to pre-drill holes and use self-tapping screws which may be used to fasten a backer for tile, marble, etc. Screws being installed through non-combustible board should be self-tapping type with a maximum length of 2 inches. Wall covering fasteners, such as screws or nails, are not permitted in some locations. Do not drill or install longer screws which may penetrate into the lower cover panel area as this may damage internal components.

- Only **non-combustible** materials may be used over the face of the appliance.
- We recommend that CONCRETE BOARD (non-combustible material) be tied in to the entire perimeter of the fireplace for durability.



Notice: Granite, tile, or other facing materials are not covered by the fireplace warranty. Natural stone, tile, and other facing materials may crack or discolor (i.e., yellowing of lighter colored materials).
Televisions are not covered by fireplace warranty.

Finishing Recommendations (Obtained from professional construction contractors and finishers):

- Frame unit with metal studs (minimum 20 gauge). **Wooden studs may be used, but may cause drywall screws to pop or pull due to wood studs drying out.**
- Minimum of 1/2" CONCRETE BOARD cement board (this **non-combustible** panel is ULC listed as a wall shield/floor protector) and fasten to the entire perimeter framing.
- Use fiberglass (mesh) tape for all joints in area of the fireplace.
- Use Yellow joint mud (contains high amounts of glue) – two coats, finishing with one coat of green topping mud, sand and prep for painting.
- If not using a surround, a metal "L" Trim may be used to finish perimeter of CONCRETE BOARD.
- Refer to the following website for more information on using CONCRETE BOARD Cement Board: www.cgcinc.com

OTHER NOTES:

- A **full single sheet** of non-combustible board (no joints) above the unit is recommended if possible.
- It is preferred to attach the non-combustible board to **framing only** and not directly to the unit to allow for expansion and contraction during normal operation.
- Lighter colored painted surfaces may discolor due to heat exposure.

Pre-installation Questions and Answers

About curing of the paint

Your stove or fireplace has been painted with the highest quality silicone stove paint. This paint dries quickly in 15-20 minutes when first applied at the factory. However, due to the high temperature silicone components, the paint will cure when heat is applied to the appliance as it is first used. The following information applies to the curing process to get the paint fully hard and durable. **Note: Use of painter's tape is not recommended, as it may damage the paint.**

Fire the appliance four successive times for 10 minutes each firing and a 5 minute cool down between each. Be aware during log and firebox paint curing that a white deposit may be developing on the inside of the glass doors. It is important to remove this white deposit from the glass doors using a fireplace glass cleaner.

- Babies, small children, pregnant women and pets should leave the area during the cure phase.
- Ventilate well, open doors and windows.
- Do not touch during curing.

Why does my fireplace or stove give off odor?

It is normal for your fireplace to give off some odor at first. This is due to the curing of the paint, adhesives, silicones and any undetected oil from the manufacturing process as well as the finishing materials used with the installations (e.g. marble, tile and the adhesives used to adhere this product to the walls can react with heat and cause odors).

It is recommended that you burn your gas fireplace or stove for a minimum of four hours at a time with the fan off (if a fan is present) after the curing of the paint has been completed. These odors can last upward to 40 hours of burn time; keep burning at a minimum of four hours per use until odors dissipate.

Noise coming from the fireplace?

Noise is caused by the expansion and contraction of metal as the appliance heats up and cools down. This is normal and is similar to the sounds produced by a furnace or heating duct. This noise does not affect the operation or longevity of your fireplace.

It is also normal for the fan to make some noise when it comes on. This noise can be reduced somewhat by turning down the speed of the fan with the variable speed control. Be aware, however, that this will reduce the volume of heated air circulated into the room by the fan.

Note to the Installer:

Be sure appliance is working properly and its operation (including remote control operation, if included) is fully explained to and understood by the customer.

Operations and Maintenance Instructions

For safe installation and operation note the following:

- Be sure to read and understand all the instructions in this manual before operation of appliance.
- Ensure all wiring is correct and properly enclosed to prevent possible shock.
- Check for gas leaks.
- Make sure the glass door is properly installed before operation. Never operate the appliance with the glass door removed.
- Make sure venting and termination cap are installed and unobstructed.
- If brick or porcelain liners are used, ensure they are installed.
- Verify that the pilot can be seen when lighting the appliance. If not, the log or rock placement is incorrect.
- If the unit is turned off, you must wait a minimum of 60 seconds before re-lighting it.
- Venting systems should be periodically examined by a qualified agency.
- The flow of combustion and ventilation air must not be obstructed.
- The Burner/Log Assembly has been engineered and permanently adjusted for proper flame control.
- Periodically remove the logs from the grate assembly and vacuum any loose particles from the grate and burner areas. See Log Placement page to remove logs. Vacuum burner parts and replace logs.
- Never use your gas fireplace as a cooking device.
- Label all wires prior to disconnection when servicing controls. Wiring errors can cause improper and dangerous operation. Verify proper operation after servicing.
- Areas in and around the Chase Vent Openings should be cleaned annually.

Warnings, Installations and Operations - Installation Regulations

This gas appliance must be installed by a qualified installer in accordance with local building codes, or in the absence of local codes, with the current CAN/CSA-B149.1 or .2 Installation Code (in Canada) or the current National Fuel Gas Code Z223.1- NFPA 54 when installed in the United States. This appliance, when installed, must be electrically connected and grounded in accordance with local codes, or in the absence of local codes, with the current CSA C22.1 Canadian Electrical Code or with the National Electrical Code; ANSI/NFPA 70 when installed in the United States.



FOR SAFE INSTALLATION AND OPERATION OF YOUR GAS FIREPLACE PLEASE NOTE THE FOLLOWING:

1. Do not clean when the glass is hot.
2. Do not use abrasive cleaners.
3. Using a substitute glass will void all product warranties.
4. For safe operation, glass doors must be closed.
5. When purging the gas line, the glass front must be removed.
6. Do not strike or abuse glass. Take care to avoid breakage.
7. Do not alter gas orifice.
8. No substitute materials may be used other than factory supplied components.
9. This appliance gives off high temperatures and should be located out of heavy traffic areas and away from furniture and draperies.
10. Children and adults should be alerted to the hazards of the high surface temperatures of this appliance and should stay away to avoid burns or ignition of clothing.
11. Young children should be carefully supervised when they are in the same room as the appliance. Toddlers, young children and others may be susceptible to accidental contact burns. A physical barrier is recommended if there are at risk individuals in the house. To restrict access to a fireplace or stove, install an adjustable safety gate to keep toddlers, young children and other at risk individuals out of the room and away from hot surfaces.
12. Under no circumstances should any solid fuels (wood, paper) be used in this appliance.
13. Under no circumstances should this appliance be modified. Any parts that have to be removed for servicing should be replaced prior to operating this appliance.
14. Any safety screen, guard, or barrier removed for servicing an appliance must be replaced prior to operating the appliance.
15. Installation and repair should be done by a qualified service person. The appliance should be inspected before use and at least annually by a professional service person. More frequent cleaning may be required due to excessive lint from carpeting, bedding material, et cetera. It is imperative that control compartments, burners and circulating air passageways of the appliance be kept clean. Make sure that the gas valve and pilot light are turned off before you attempt to clean this unit.
16. Clothing or other flammable material should not be placed on or near the appliance. This appliance should not be used as a drying rack for clothing nor should Christmas stockings or decorations be hung from it.
17. Do not use this heater if any part has been under water. Immediately call a qualified service technician to inspect the heater and to replace any part of the control system and any gas control which has been under water.
18. Do not operate appliance unless completely installed as per installation instructions.
19. Failure to position the parts in accordance with these diagrams or failure to use only parts specifically approved with this appliance may result in property damage or personal injury.
20. **WARNING: Do not operate appliance with the glass front removed, cracked or broken. Replacement of the glass should be done by a licensed or qualified service person.**
21. The appliance area must be kept clear and free from combustible materials, gasoline, and other flammable vapors and liquids.
22. The front of the fireplace gives off high temperatures that could ignite combustible material which is kept close to the front of the unit.
23. Ensure that power to the Fireplace is turned off before servicing.
24. Do not operate this Fireplace without the glass front or with a broken glass.
25. Improper installation, adjustment, alteration, service or maintenance can cause injury or property damage. Refer to the owner's information manual provided with this appliance. For assistance or additional information consult a qualified installer, service agency, or the gas supplier.
26. Operation of this appliance when not connected to a properly installed and maintained venting system or tampering with the blocked vent shutoff system can result in carbon monoxide (CO) poisoning and possible death.
27. This appliance is equipped with a three-prong (grounding) plug for your protection against shock hazard and should be plugged directly into a properly grounded three-prong receptacle. Do not cut or remove the grounding prong from this plug.
28. **NOT INTENDED FOR USE AS A PRIMARY HEAT SOURCE.** This appliance is tested and approved as either supplemental room heat or as a decorative appliance. It should not be factored as primary heat in residential heating calculations.
29. This appliance must not be connected to a chimney flue serving a separate solid-fuel burning appliance.
30. Remove all loose materials from the appliance (manual, remote control, etc.) before connecting gas and electricity.
31. Ensure that the remote control is "OFF" before connecting gas and electricity to the appliance.

Installation Requirements for the Commonwealth of Massachusetts

In the Commonwealth of Massachusetts, the installer or service agent shall be a plumber or gas fitter licensed by the Commonwealth.

When installed in the Commonwealth of Massachusetts or where applicable codes; the unit shall be installed with a CO detector per the requirements listed below.

1. For direct-vent appliances, mechanical-vent heating appliances or domestic hot water equipment, where the bottom of the vent terminal and the air intake is installed below four feet above grade the following requirements must be satisfied:
 - A. If there is not one already present, on each floor level where there are bedroom(s), a carbon monoxide detector and alarm shall be placed in the living area outside the bedroom(s). The carbon monoxide detector shall comply with NFPA 720.
 - B. A carbon monoxide detector shall be located in the room that houses the appliance or equipment and shall:
 - Be powered by the same electrical circuit as the appliance or equipment such that only one service switch services both the appliance and the carbon monoxide detector;
 - Have battery back-up power;
 - Meet ANSI./UL 2034 Standards and comply with NFPA 720; and
 - Have been approved and listed by a Nationally Recognized Testing Laboratory as recognized under 527 CMR.
 - C. A Product-approved vent terminal must be used, and if applicable, a Product-approved air intake must be used. Installation shall be in strict compliance with the manufacturer's instructions. A copy of the installation instructions shall remain with the appliance or equipment at the completion of the installation.
 - D. A metal or plastic identification plate shall be mounted at the exterior of the building, four feet directly above the location of vent terminal. The plate shall be of sufficient size to be easily read from a distance of eight feet away, and read "Gas Vent Directly Below".
2. For direct-vent appliances, mechanical-vent heating appliances or domestic hot water equipment where the bottom of the vent terminal and the air intake is installed above four feet above grade the following requirements must be satisfied:
 - A. If there is not one already present, on each floor level where there are bedroom(s), a carbon monoxide detector and alarm shall be placed in the living area outside the bedroom(s). The carbon monoxide detector shall comply with NFPA 720.
 - B. A carbon monoxide detector shall:
 - Be located in the room that houses the appliance or equipment;
 - Be either hard-wired or battery powered or both; and
 - Shall comply with NFPA 720.

A Product-approved vent terminal must be used, and if applicable, a Product-approved air intake must be used. Installation shall be in strict compliance with the manufacturer instructions. A copy of the installation instructions shall remain with the appliance or equipment at the completion of the installation.

For the state of Massachusetts a **T-handle gas shut-off valve** must be used on a gas appliance. This T-handle gas shut-off valve must be listed and approved by the state of Massachusetts. This is in reference to the state of Massachusetts state code CMR238.

Carbon Monoxide (CO) Detector

NOTE: It is recommended that a Carbon Monoxide (CO) Detector be installed in or near bedrooms and on all levels of your home. Place a detector about 15ft [4.5m] outside the room that houses your gas appliance.

Certified for installation in a bedroom or bed/sitting room. In Canada must be installed with listed millivolt thermostat. In USA see local codes.



WARNING

This product and the fuels used to operate this product (liquid propane or natural gas), and the products of combustion of such fuels, can expose you to chemicals including benzene, which is known to the State of California to cause cancer and reproductive harm. For more information go to: www.P65Warnings.ca.gov.

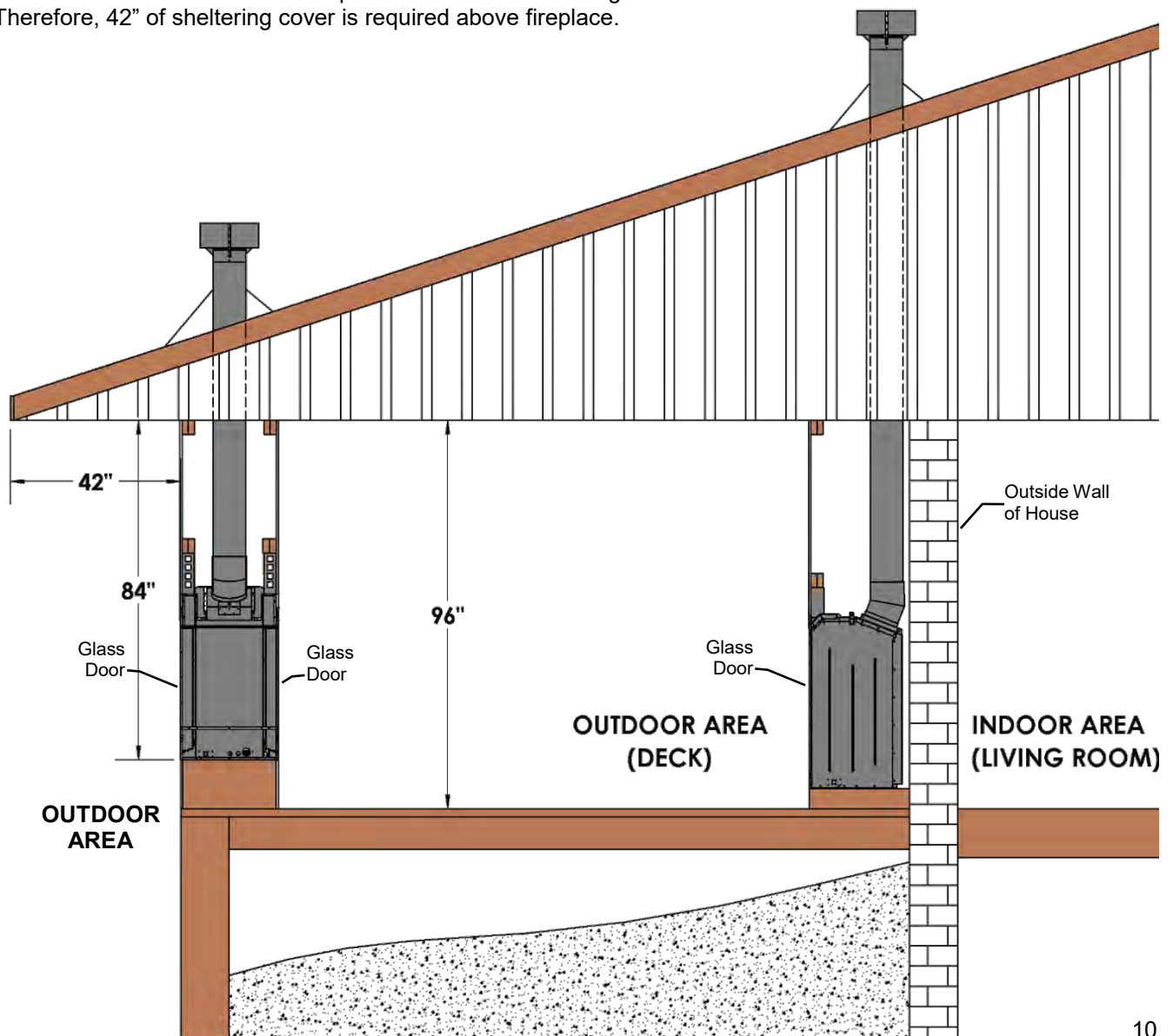
Fireplace Installations in Covered Outdoor Locations – FOR BASIC MILLIVOLT UNITS ONLY- NO FAN – NO LIGHTS-

CAUTION – Installation of an indoor gas fireplace with an outdoor exposure is not covered under the (ANSI Z21.88 – CSA 2.22 or ANSI Z21.50 – CSA 2.33) standard(s) used to certify the indoor gas-fired fireplace. The Intertek safety certification will not apply to this installation method. This installation method must be deemed acceptable by the Authority Having Jurisdiction (AHJ) prior to the indoor gas fireplace being installed.

Kingsman and Marquis Direct Vent fireplaces may be installed into outdoor locations provided they are suitably protected from direct water impingement. However, all installation clearances in the appliance manual must be observed. Framing, Clearances to Combustibles, Mantel Heights, Facing Requirements, Venting Installation, etc. **Use supplied Safety Screen.**

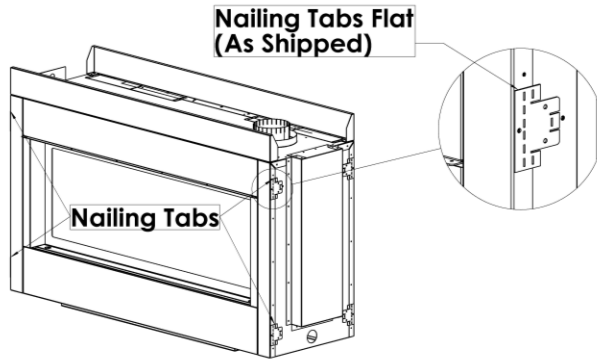
- All wiring connections to line power shall be in accordance with outdoor requirements of; -NECA NFPA 70 in the USA -Canadian Electrical Code, CSA C22.1 for Canada.
- The Fireplace is not to be operated in temperatures below freezing (0°C / 32°F).
- **⚠ NOTE: TEMPERED GLASS WARNING:** Tempered glass is vulnerable to rapid and/or extreme changes in temperature (thermal shock). Take care to prevent water from contacting the fireplace, especially if it is hot.
- See-Through Units are suitable for an outdoor location, but not on the outside wall of a house or other structure, as air flows through both sides of the fireplace.
- A Minimum sheltering cover (overhang) of 1/2 the distance from the base of the fireplace to the ceiling (base of roofline) is required.

EXAMPLE: The bottom of the fireplace is 84" from the ceiling. Therefore, 42" of sheltering cover is required above fireplace.



MQRB4436 / MQRB5143 / MQRB6961 Nailing Tab Guide

[Qty] 2 Nailing Tabs are located on each corner of the fireplace.

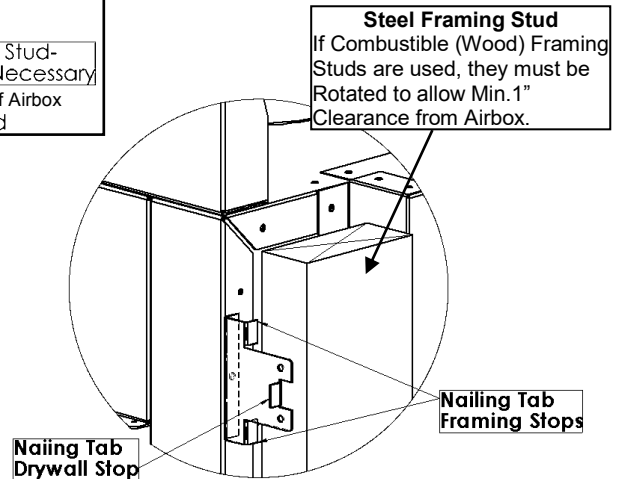
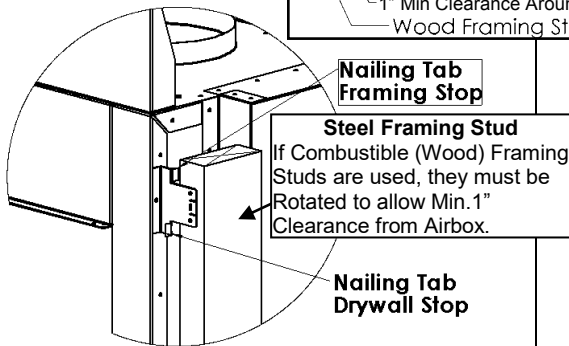
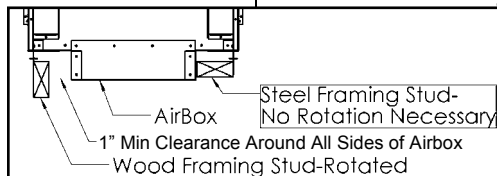
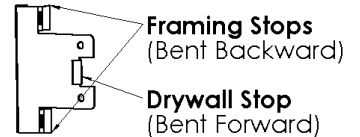
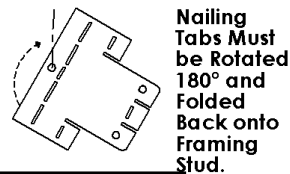
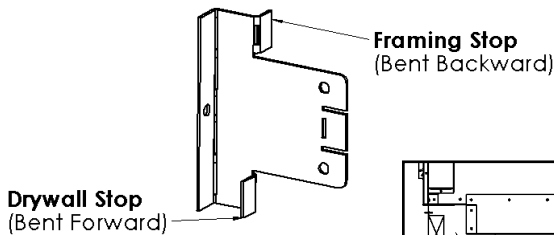
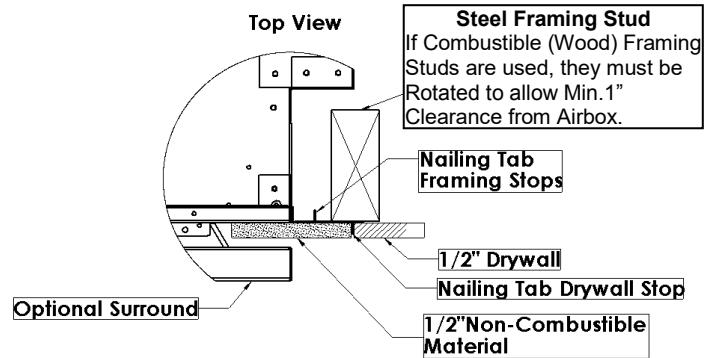
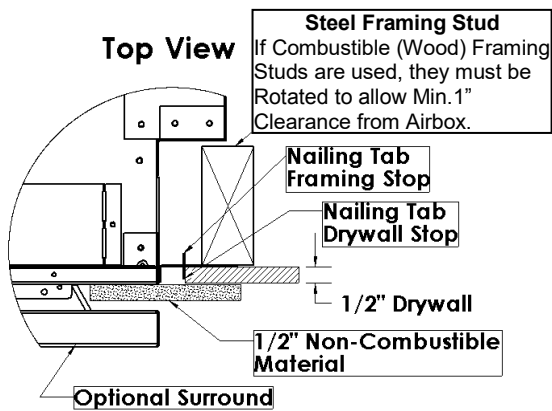


The Nailing Tabs on the MQRB4436, MQRB5143 or MQRB6961 can be used in two ways:

1/2" Drywall Flush with Face of Fireplace -Fireplace and Combustible Wall to be covered with Non-Combustible Materials (e.g. Tile around Fireplace).
Note: If using Optional Surround, Maximum Thickness for Non-Combustible Material is 3/4".

Framing Flush with Face of Fireplace -Fireplace to be covered with Non-Combustibles (e.g. Concrete Board) for **Flat Wall** appearance.
Note: If using Optional Surround, Maximum Thickness for Non-Combustible Material is 3/4".

[Steel Stud Framing Shown.]



MQRB4436: Framing Your Gas Fireplace

This section is intended for qualified installers only. Before beginning, make note of where the gas and electrical accesses are located on the unit. This will streamline the construction process. Furthermore, familiarize yourself with the venting and clearance requirements (see Venting section) for this appliance. Failure to comply with those requirements can seriously compromise the safety and operation of the fireplace.

NOTE: Kingsman Flex venting **MUST** be used on the MQRB4436. Use of DuraVent- DirectVent Pro or other hard pipe venting systems is not permitted unless a power vent is used.

Specifications

1. Cold climate installation recommendation: When installing this fireplace against non insulated exterior wall or chase, it is recommended that the outer walls be insulated to conform to applicable insulation codes. Drywall & vapor barrier must be installed over insulation to prevent contact of insulation and unit.
2. Choose fireplace location and frame in accordance with the fireplace framing dimensions specified. Airbox on flue side must maintain Min. 1" Clearance from Combustible (Wood) Framing (see framing diagrams).
3. Drywall or other combustible material can extend up to the Drywall Stops located on the sides of the unit, and up to the bottom and top.
4. When installing horizontal with a 90 degree bend, maintain a minimum of **five inches [5"]** above the bend with the Wall Thimble Shield [Z57WTS] in enclosures below **seventy-two inches [72"]**. See MQRB4436 Combustible Enclosure Heights page.
5. A Hearth is not required for this unit.

Vertical Venting in Cold Climates

In cold climate conditions where temperatures go below -10 degrees Celsius or 14 degrees Fahrenheit, we recommend that the chase be insulated and where the vent pipe enters into the attic space that the pipe be wrapped with an insulated Mylar sleeve. This will increase the temperature of the vent and help the appliance to vent properly in cold weather conditions.

It is also important in vertical vented direct vent appliances that the appliance be operated daily during the winter months as this will help stop the termination from freezing up. We recommend using a thermostat set at room temperature to allow the unit to cycle.

For IPI models it may be necessary to set the appliance to Standing Pilot mode to maintain heat in the cavity. The purpose of this procedure is to prevent cold air from penetrating the chimney and then onto the living space. Therefore, when the internal temperature is slightly elevated the fireplace is able to freely exhaust its combustion and hence making it easier to startup.

Certified for installation in a bedroom or bedsitting room. In Canada must be installed with listed millivolt thermostat. In USA see local codes.

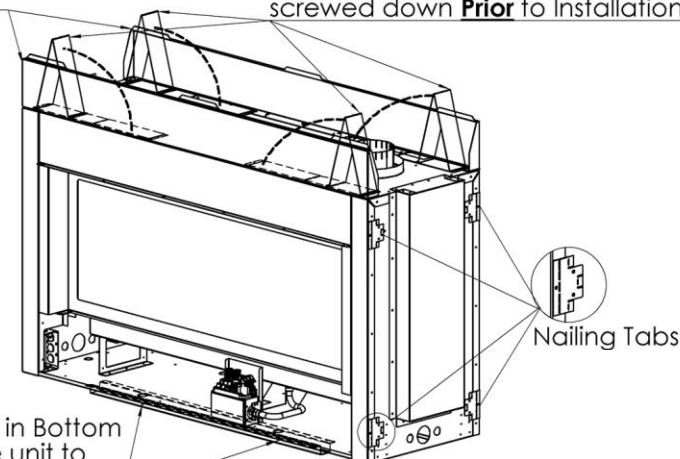
Stand-off Locations

Make note of where the stand-off locations are. These stand-offs are provided as indicators to illustrate the boundaries for framing. Therefore, no framing material is permitted to extend beyond these stand-offs.

Both Header Panels must be attached to the top of the unit.

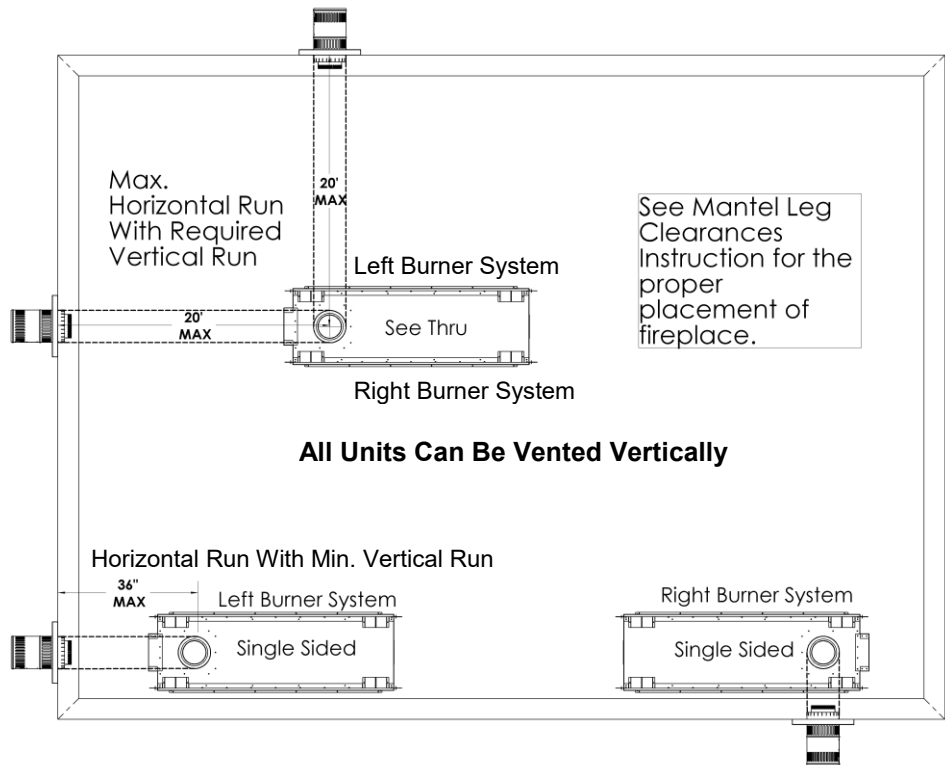
Caution: All 4 Standoffs on top of the unit must be folded into position & screwed down **Prior** to Installation.

Holes are provided in Bottom Channels to secure unit to floor after installation.

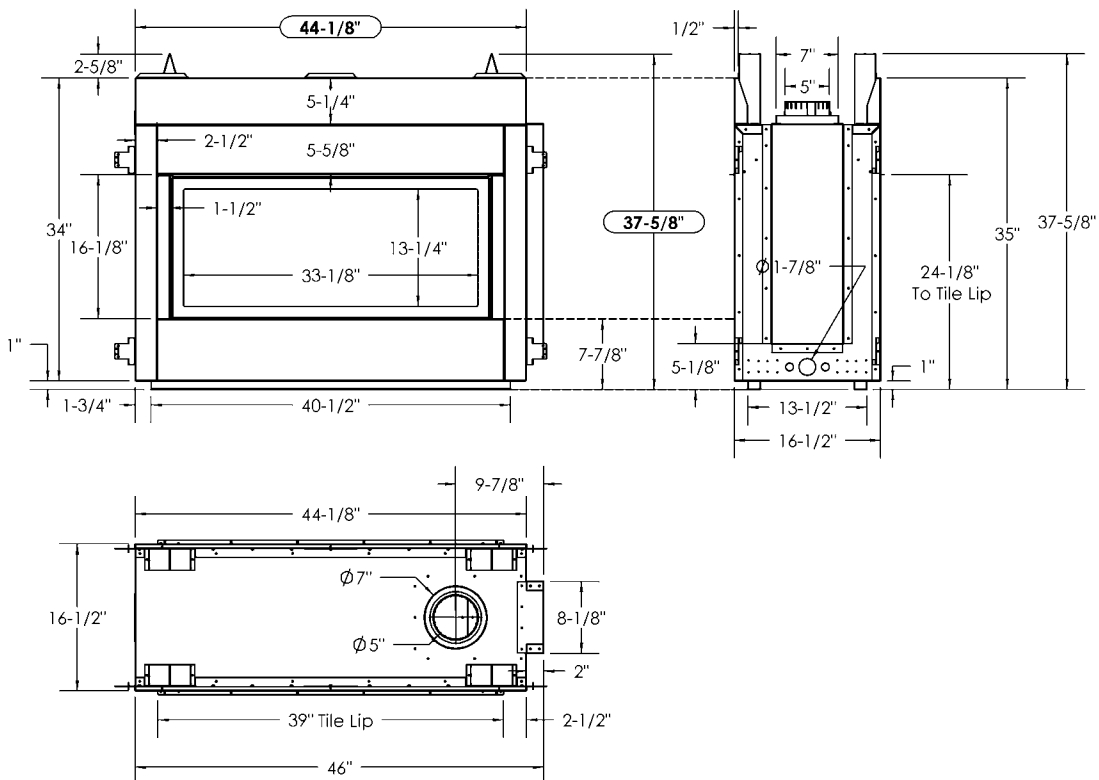


MQRB4436 Locating Your Appliance

All units are Factory Set for a Left Hand Burner System. Right Hand Burner System Requires Valve to be relocated to right side of unit.



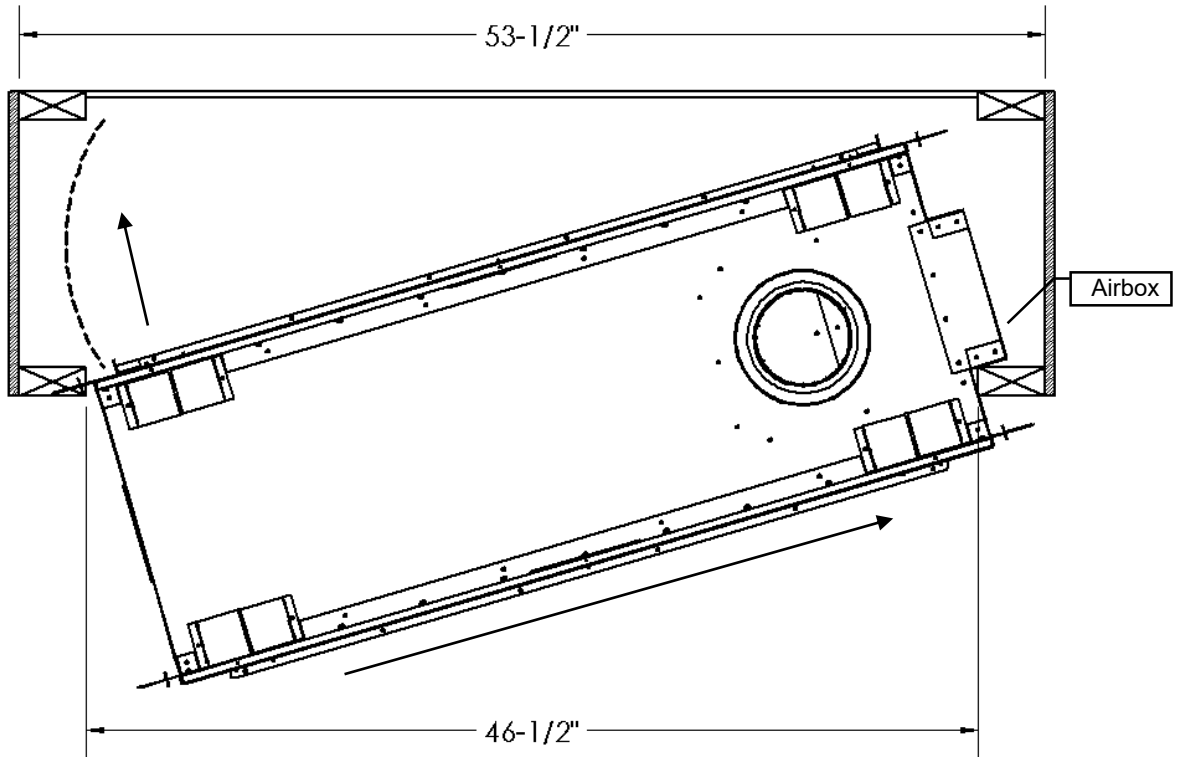
MQRB4436 Fireplace Dimensions



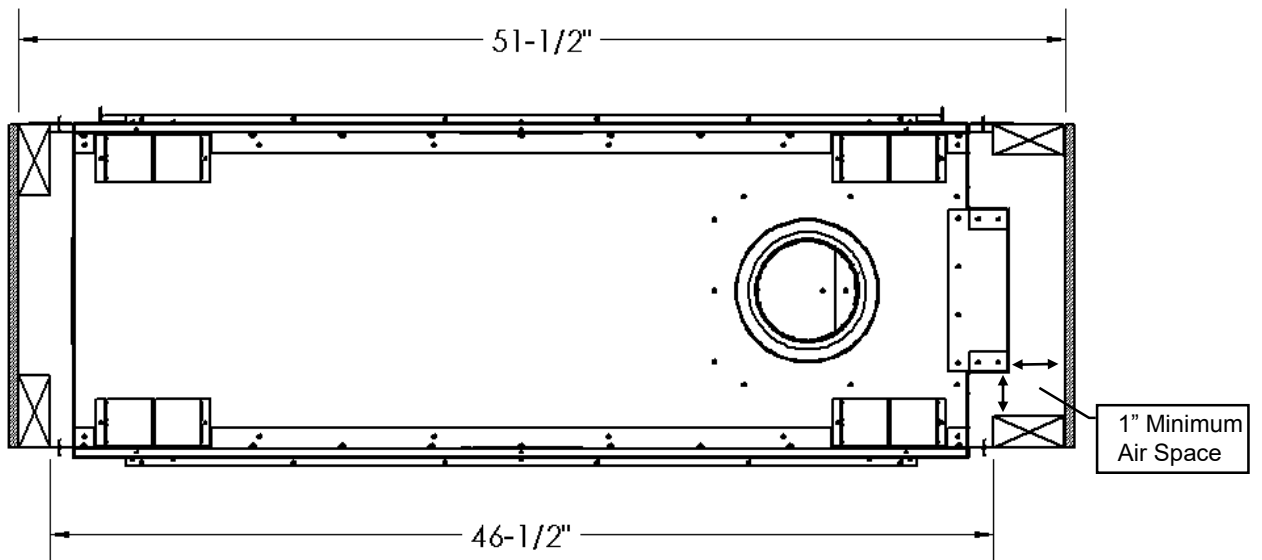
MQRB4436 - Pre-existing Enclosures vs Framing Enclosure Around Fireplace

Inserting Unit Into Pre-existing Enclosure: Enclosure must be 53-1/2" inside width.

Opening should be greater than 46-1/2" minimum. Insert airbox on side of unit first and swing into place.



Framing Enclosure Around Fireplace: If unit is in place before enclosure is built, minimum clearances for opening can be followed.

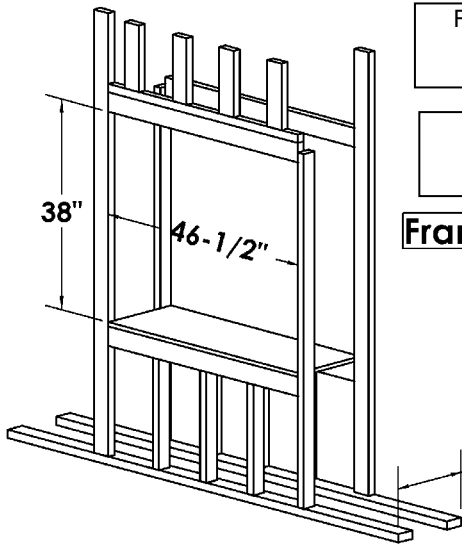


MQRB4436 -See Through Framing

An **MQRB4436SK** Kit is required for a See Thru Installation.

Before you begin Framing- Determine for both sides whether the **Wall Surface** will be flush with the face of the fireplace (Fireplace and wall to be covered with Non-Combustibles, such as tile), or the **Framing** will be flush with the face of the fireplace (Flat Wall appearance).

Note: If using Optional Surround, Maximum Thickness for Non-Combustible Material is 3/4".



Framing Style shown is for illustration purposes only.
This structure is NOT load bearing.
[Steel Stud Framing Shown]

Follow all Clearances to Combustibles.

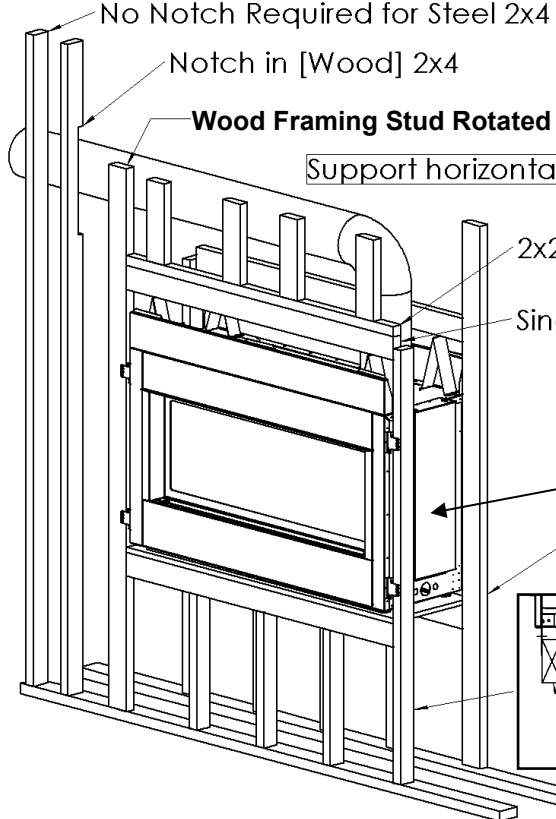
Framed Opening 46-1/2" Wide x 38" Tall

Dimension
15-3/8" *

***15-3/8"** Dimension is for Wall Surface Flush with Unit on **Both Sides**.
Add 1/2" to this dimension for each side where a non-combustible wall surface will cover the unit (see **Nailing Tab Guide** page also).

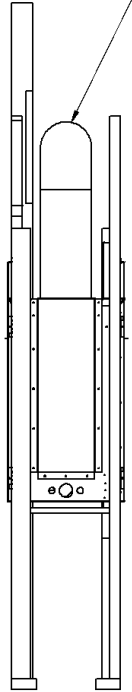
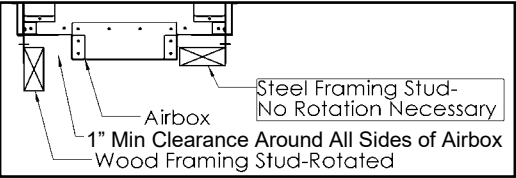
Fireplace Vent **Must** Maintain Min. 1" Clearance from Combustible [Wood] Framing.

Many Framing Options are possible. A few Ideas are shown here.



Note: If **Steel Framing** is used, 1" Vent Clearance is not required.

This Structure is NOT Load Bearing.
Airbox must maintain Min. 1" Clearance From Combustible [Wood] Framing.
Wood Framing Stud -Rotated



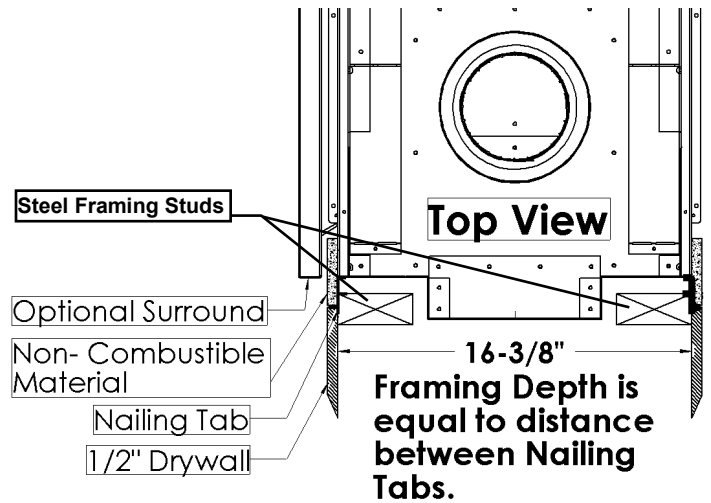
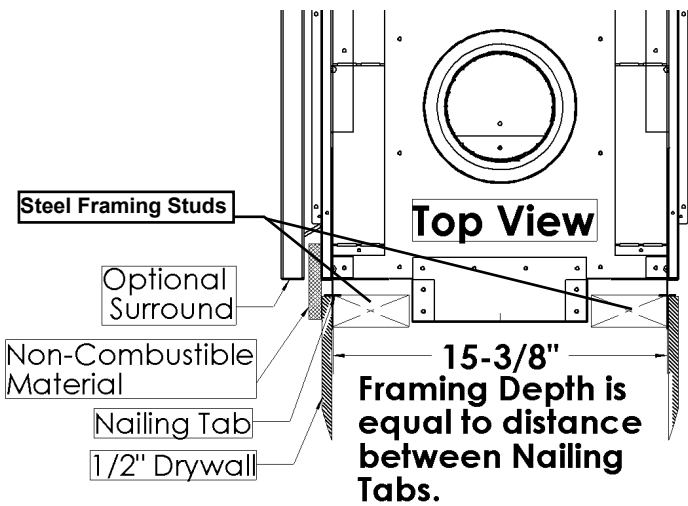
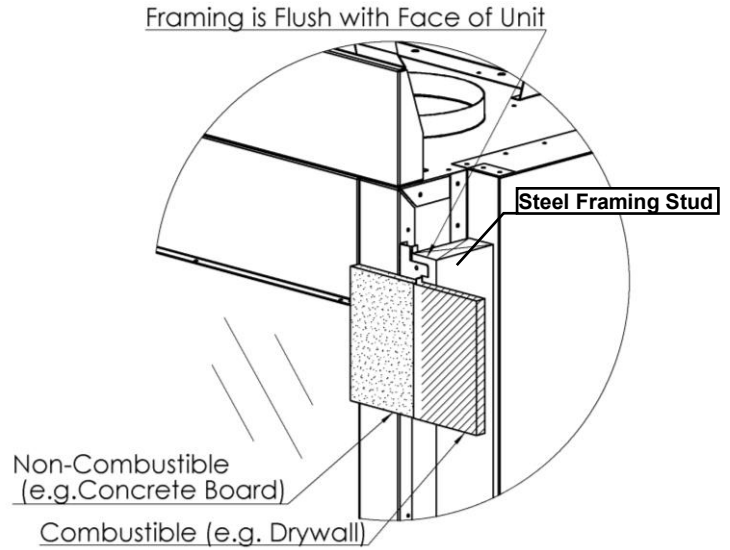
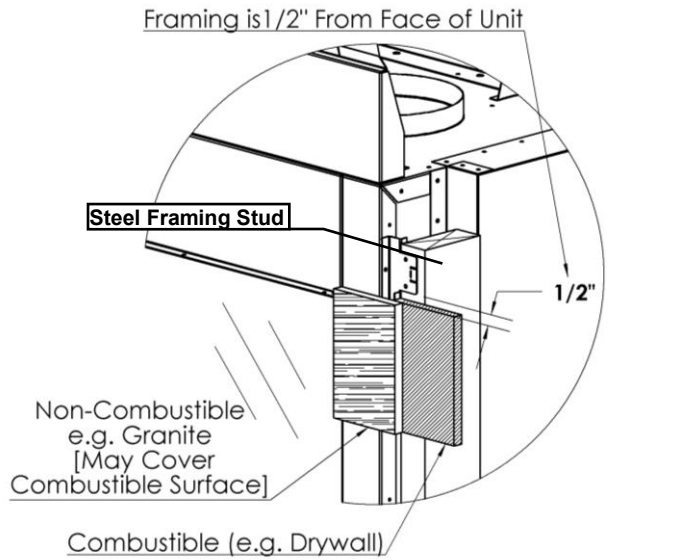
Also Refer to **Clearance to Combustibles, Enclosure Heights, and Venting** Sections of this Manual.

(Continued on next page)

Wall Surface Flush With Face of Fireplace

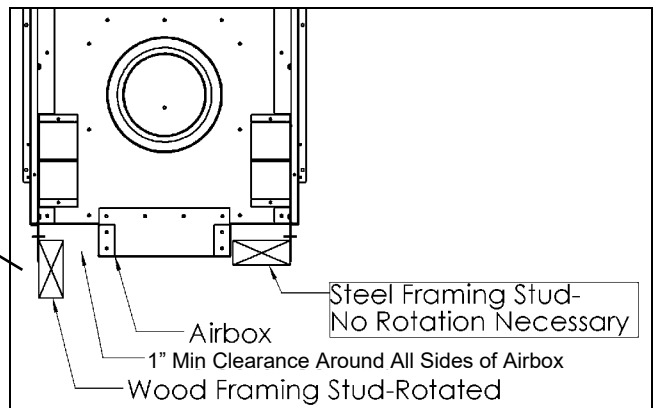
Framing Flush With Face of Fireplace

[Steel Stud Framing Shown.]



Note: If using Optional Surround, Maximum Thickness for Non-Combustible Material is 3/4".

Note: If Combustible (Wood) Framing Studs are used, they must be Rotated to allow Min. 1" Clearance from Airbox.



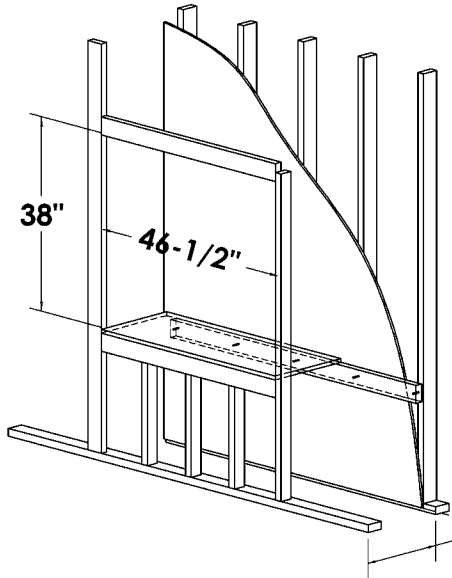
See "Nailing Tab Guide" and "MQRB4436SK / MQRB5143SK / MQRB6961SK" pages before placing unit into the framed opening.

MQRB4436 Single Sided Framing

An **MQRB4436BK** Kit is required for a Single Sided Installation.

Before you begin Framing- Determine whether the **Wall Surface** will be flush with the face of the fireplace (Fireplace and wall to be covered with Non-Combustibles, such as tile), or the **Framing** will be flush with the face of the fireplace (Flat Wall appearance).

Note: If using optional surround, maximum thickness for non-combustible material is 3/4".



Framing Style shown is for illustration purposes only.
This structure is NOT load bearing.
[Steel Stud Framing Shown]

Follow all Clearances to Combustibles.

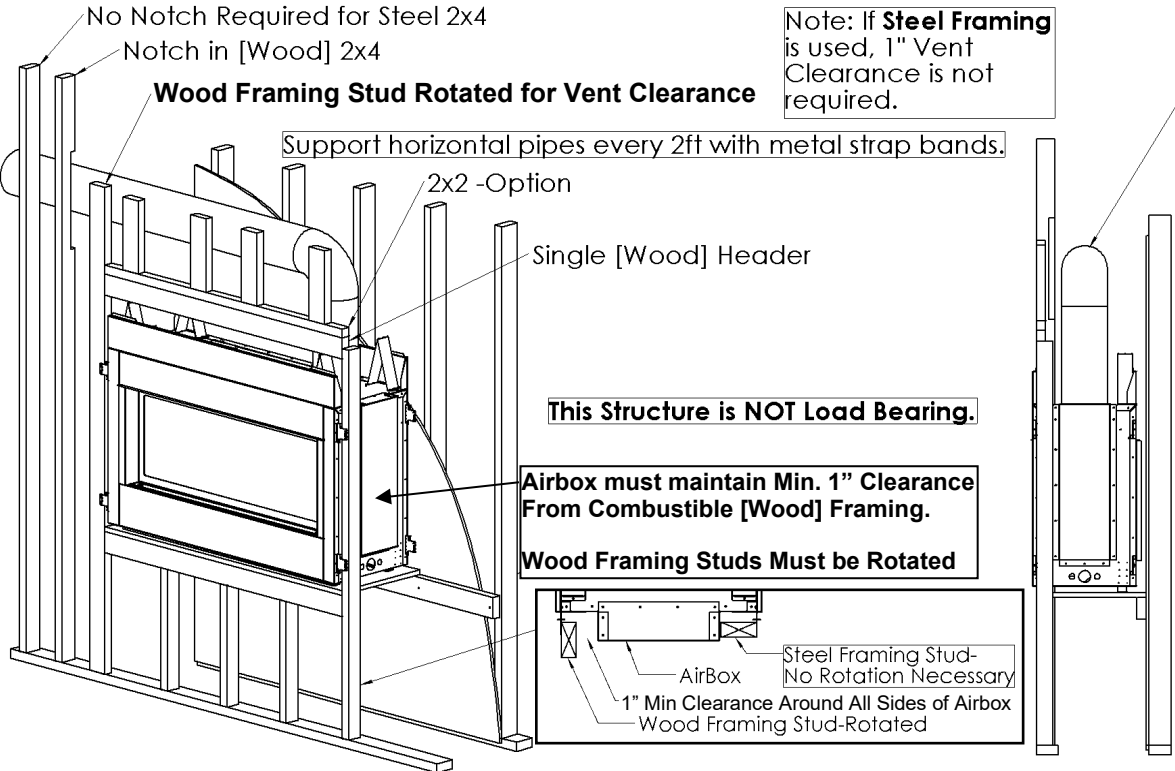
FRAMED OPENING 46-1/2" WIDE x 38" TALL
CANTILEVER FINISHED MINIMUM OPENING IS 50-1/2" WIDE

Dimension
17" Min*

*** 17" Min.** Dimension is for Wall Surface Flush with fireplace.
Add 1/2" to this Dimension where a non-combustible wall surface will cover the unit (See Nailing Tab Guide Page also).

Fireplace Vent **Must** Maintain Min. 1" Clearance from Combustible [Wood] Framing.

Many Framing Options are possible. A few Ideas are shown here.



Note: If **Steel Framing** is used, 1" Vent Clearance is not required.

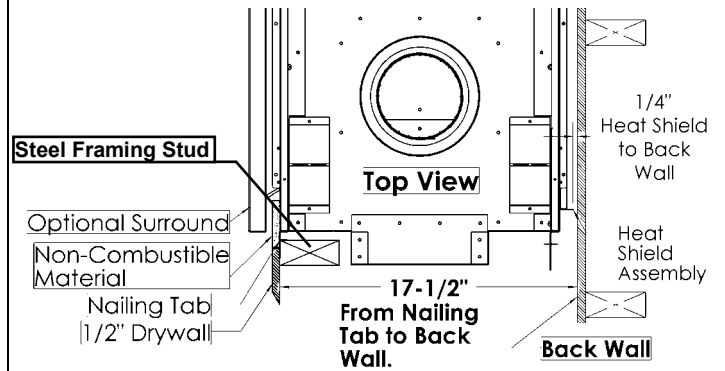
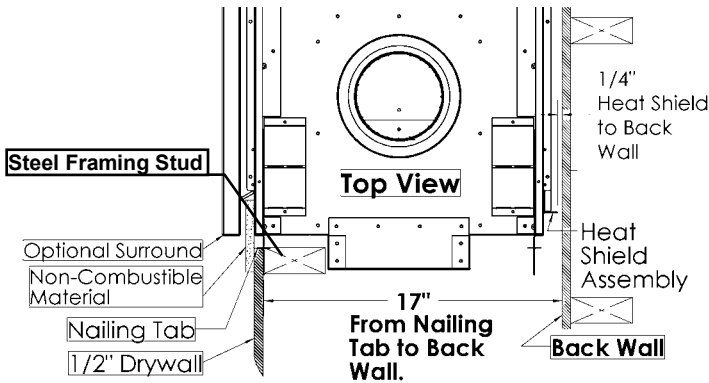
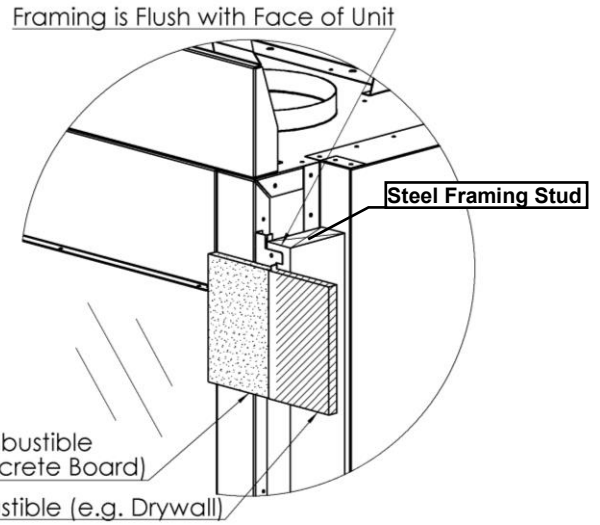
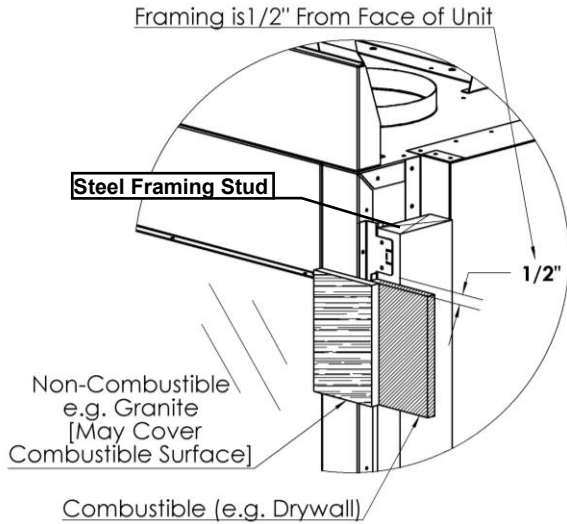
Also Refer to **Clearance to Combustibles, Enclosure Heights, and Venting** Sections of this Manual.

(Continued)

Wall Surface Flush With Face of Fireplace

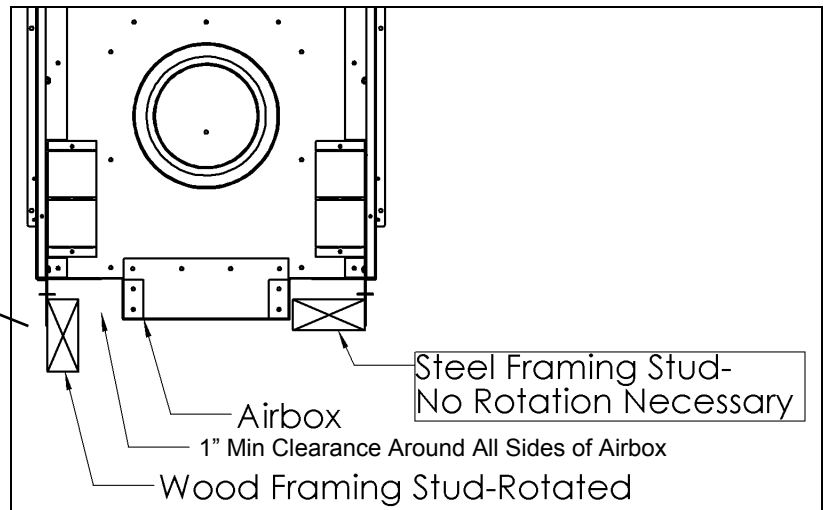
Framing Flush With Face of Fireplace

[Steel Stud Framing Shown.]



Note: If using Optional Surround, Maximum Thickness for Non-Combustible Material is 3/4".

Note: If Combustible (Wood) Framing Studs are used, they must be Rotated to allow Min. 1" Clearance from Airbox.



See "Nailing Tab Guide" and "MQRB4436BK / MQRB5143BK / MQRB6961BK" pages before placing unit into the framed opening.

MQRB4436 Combustible Enclosure Heights

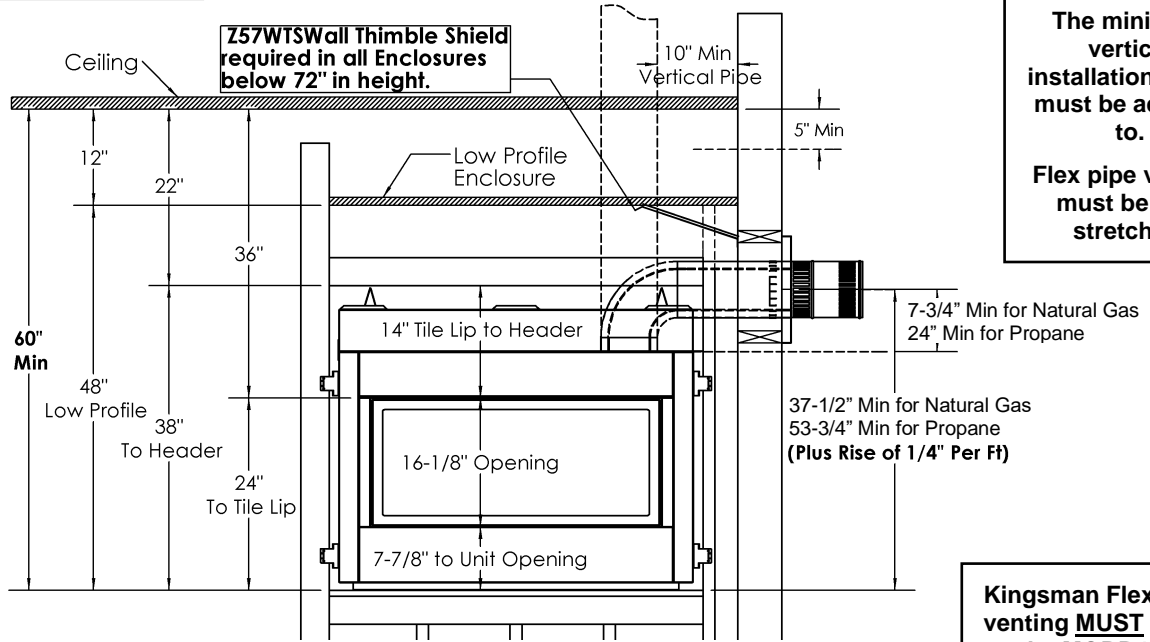
Cold Climate Recommendation

When installing this fireplace against an exterior wall or chase, it is recommended that the outer walls be insulated to conform to applicable insulation codes. Drywall must be installed over vapor barrier and insulation material to prevent direct contact with the appliance.

See Thru or Single Sided Installation

[Steel Stud Framing Shown]

For Propane Horizontal installations the venting must be a minimum of two feet vertical off the flue before going horizontal.

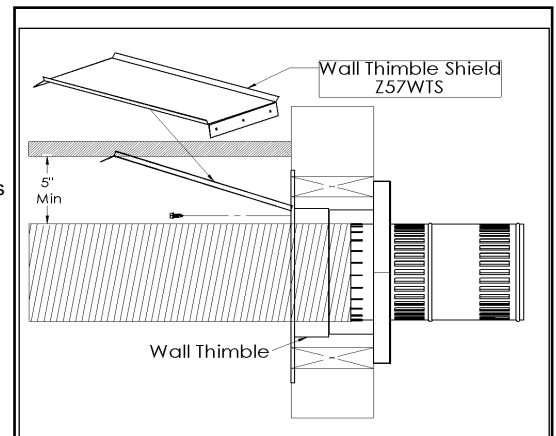
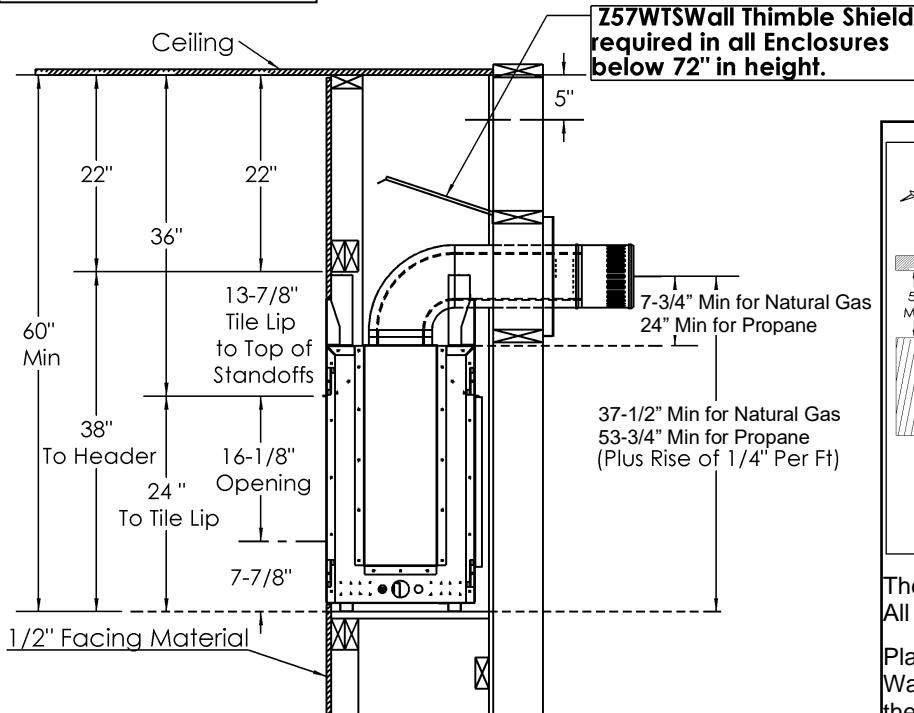


The minimum vertical installation height must be adhered to. Flex pipe venting must be fully stretched.

Kingsman Flex venting **MUST** be used on the MQRB4436. Use of DuraVent-DirectVent Pro or other hard pipe Venting systems is not permitted.

Single Side Installation Only

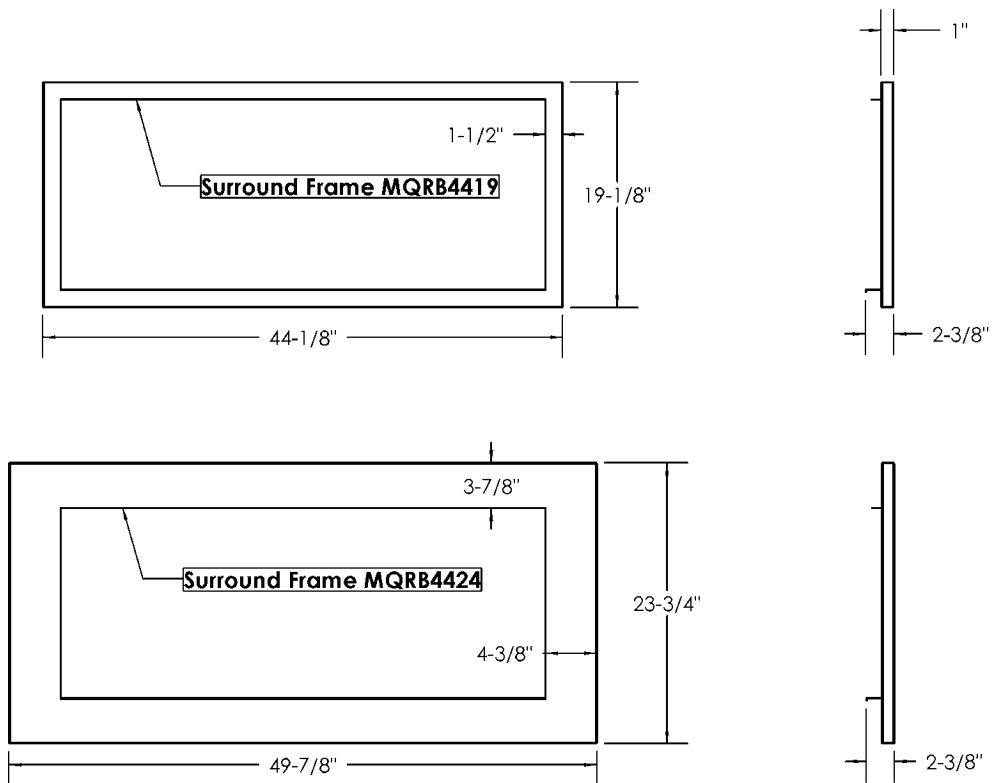
[Steel Stud Framing Shown.]



The Wall Thimble Shield Z57WTS is required in All Enclosures below 72" [Seventy-Two Inches].

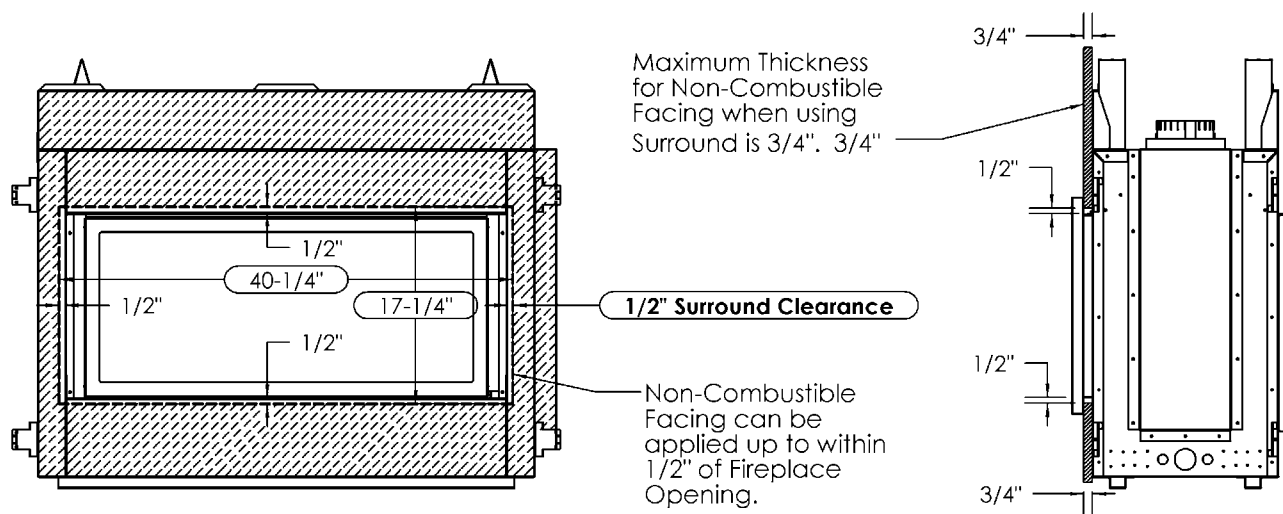
Place Wall Thimble Shield Z57WTS against the Wall Thimble Immediately above the Vent. Install the Wall Thimble Shield using [3] DT Screws.

Surround Dimensions MQRB4436



- The Surround Frames are 1" thick, with a 3/4" space behind the frame.
- When using Surrounds, Maximum Thickness for Non-Combustible Facing Materials is 3/4".
- The Fireplace may be covered up to within 1/2" of the Fireplace Opening with non-combustible materials.

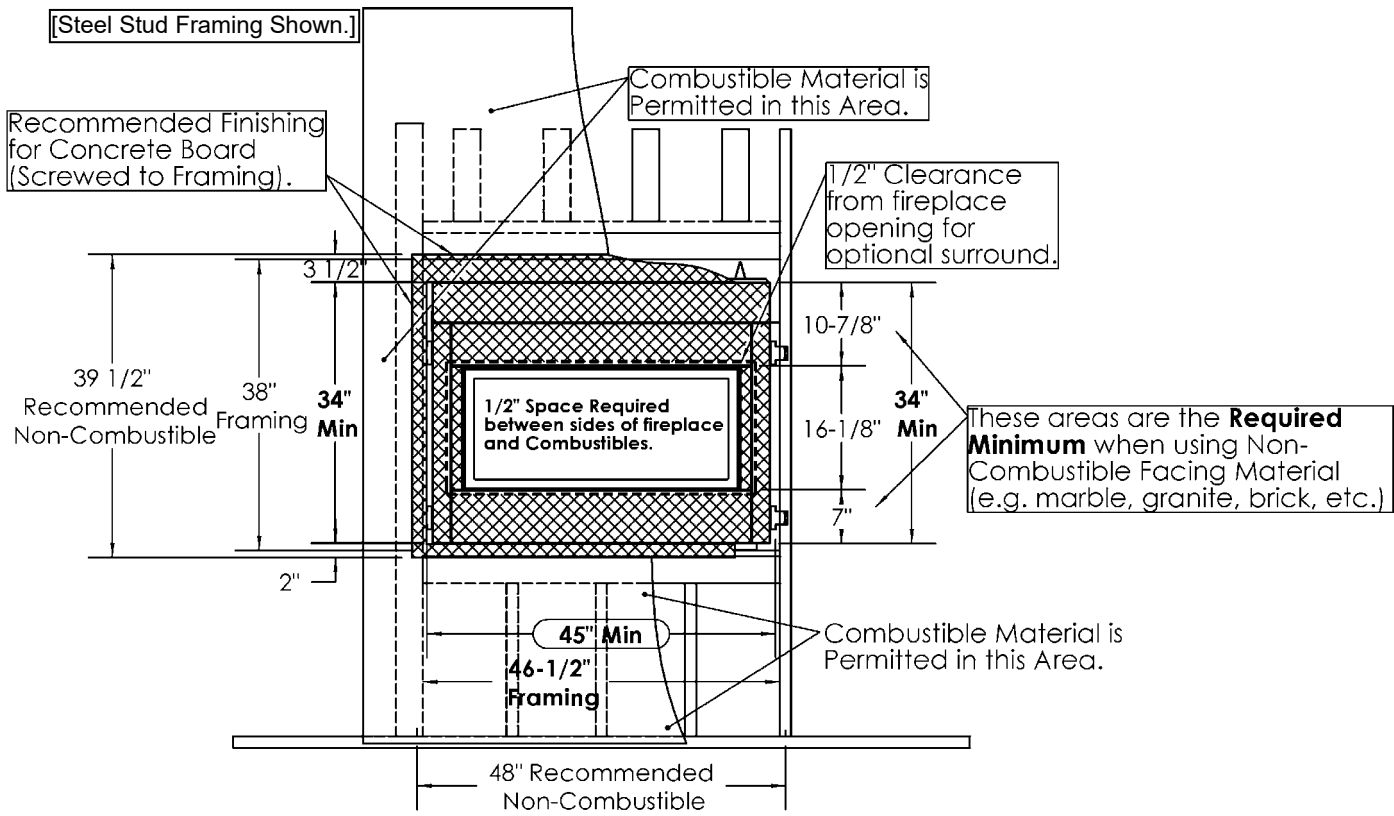
Surround Clearances MQRB4436



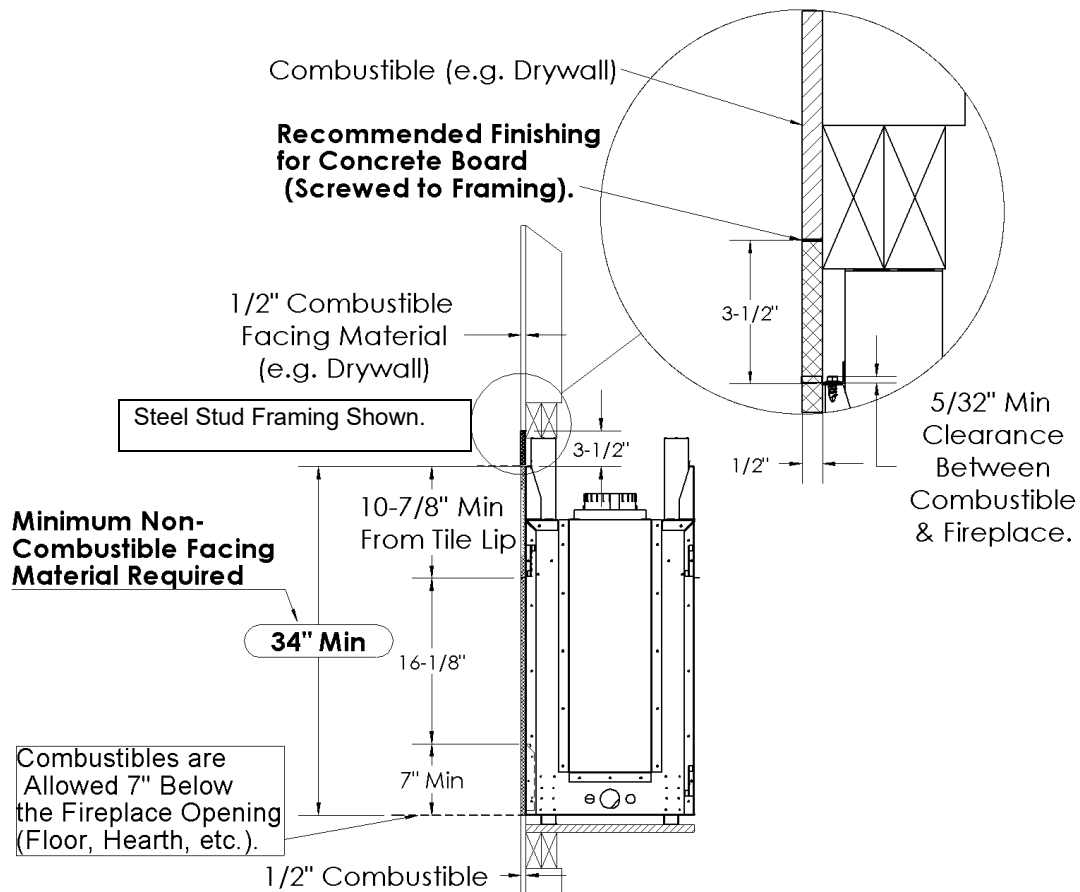
MQRB4436 Facing Material Requirements

These specifications are the same for all Models (4436N, 4436NE, 4436LP, 4436LPE).

Note: If using Optional Surround, See Surround Clearances Section.



Note: Do not drive excessively long screws into the face of the unit as internal parts may be damaged.



MQRB4436 Mantel Clearances

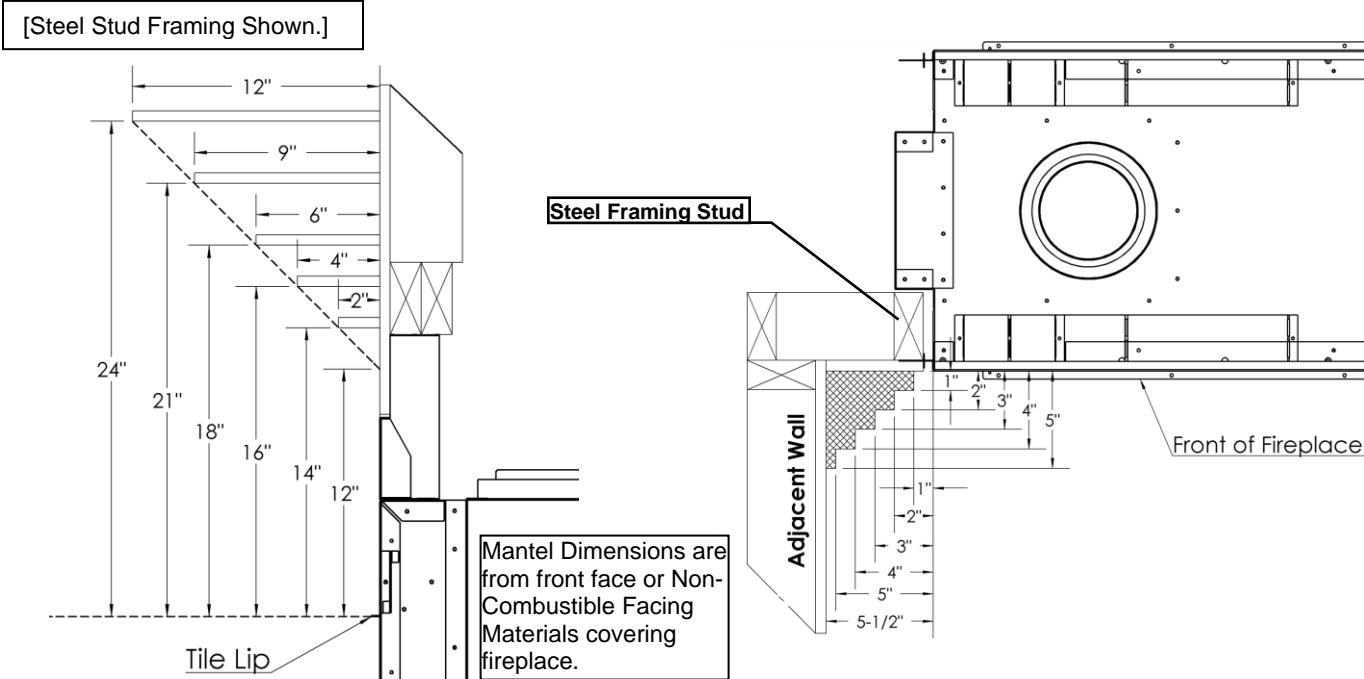
Before installing any mantels, it is important to determine the combustibility of its material(s). There are two types of mantels to consider: Combustible and Non-Combustible.

A **Combustible Mantel** is one that consists of material(s) that may discolor, combust, or lose its integrity in the presence of heat. These types of mantels must strictly conform to the dimensional requirements shown below.

Conversely, a **Non-Combustible Mantel** is one that is constructed with material(s) that will not combust. Check your local codes and regulations to determine whether your mantel is Combustible or Non-Combustible.

The advantage to Non-Combustible Mantels is that it may extend right up to the tile lip of the fireplace. Combustible mantels must adhere to the dimensional restrictions shown below.

⚠️-Combustible Objects on Non-Combustible Mantel Warning-
Combustible objects must not be placed on a Non-combustible Mantel unless the mantel meets the dimensional requirements for a Combustible Mantel. Refer below to determine whether your mantel conforms to the requirements of a Combustible Mantel.



Clearance to Combustibles	MQRB4436
Front	24" [61cm]
Back Shield Kit to Wall	0" [0cm]
Side (from Stand-offs)	0" [0cm]
Floor*	0" [0cm]
Airbox on Flue Side of Unit	1" [25cm]
Minimum Ceiling Height (from bottom of fireplace)	60" [153cm]
Top (from Stand-offs)	0" [0cm]
Top of 90° Bend under 72" Enclosure	5" (With Wall Thimble Shield [Z57WTS]) All Vent Systems
Top of 90° Bend over 72" Enclosure	4" All Vent Systems
Top of Horizontal Pipe	2" All Vent Systems
Side & Bottom of Horizontal Pipe	1" All Vent Systems
Vertical Vent Pipe	1" All Vent Systems
<p>⚠️ NOTE: Kingsman Flex venting <u>MUST</u> be used on the MQRB4436. Use of Duravent-DirectVent Pro or other hard pipe venting systems is not permitted unless a power vent is used</p>	

***Note:** If appliance is installed directly on carpeting or other combustible material other than wood flooring, a metal or wood panel extending the full width and depth of the appliance must be used. Carpet may extend 1 inch above the floor of the appliance.

MQRB5143: Framing Your Gas Fireplace

This section is intended for qualified installers only. Before beginning, make note of where the gas and electrical accesses are located on the unit. This will streamline the construction process. Furthermore, familiarize yourself with the venting and clearance requirements (see Venting section) for this appliance. Failure to comply with those requirements can seriously compromise the safety and operation of the fireplace.

Specifications

1. Cold climate installation recommendation: When installing this fireplace against non insulated exterior wall or chase, it is recommended that the outer walls be insulated to conform to applicable insulation codes. Drywall & vapor barrier must be installed over insulation to prevent contact of insulation and unit.
2. Choose fireplace location and frame in accordance with the fireplace framing dimensions specified. Airbox on flue side must maintain Min. 1" Clearance from Combustible (Wood) Framing (see framing diagrams).
3. Drywall or other combustible material can extend up to the Drywall Stops located on the sides of the unit, and up to the bottom and top.
4. When installing horizontal with a 90 degree bend, maintain a minimum of five inches [5"] above the bend with the Wall Thimble Shield [Z57WTS] in enclosures below seventy-two inches [72"]. See MQRB5143 Combustible Enclosure Heights page.
5. A Hearth is not required for this unit.

Vertical Venting in Cold Climates

In cold climate conditions where temperatures go below -10 degrees Celsius or 14 degrees Fahrenheit, we recommend that the chase be insulated and where the vent pipe enters into the attic space that the pipe be wrapped with an insulated Mylar sleeve. This will increase the temperature of the vent and help the appliance to vent properly in cold weather conditions.

It is also important in vertical vented direct vent appliances that the appliance be operated daily during the winter months as this will help stop the termination from freezing up. We recommend using a thermostat set at room temperature to allow the unit to cycle.

For IPI models it may be necessary to set the appliance to Standing Pilot mode to maintain heat in the cavity. The purpose of this procedure is to prevent cold air from penetrating the chimney and then onto the living space. Therefore, when the internal temperature is slightly elevated the fireplace is able to freely exhaust its combustion and hence making it easier to startup.

Certified for installation in a bedroom or bedsitting room. In Canada must be installed with listed millivolt. In USA see local codes.

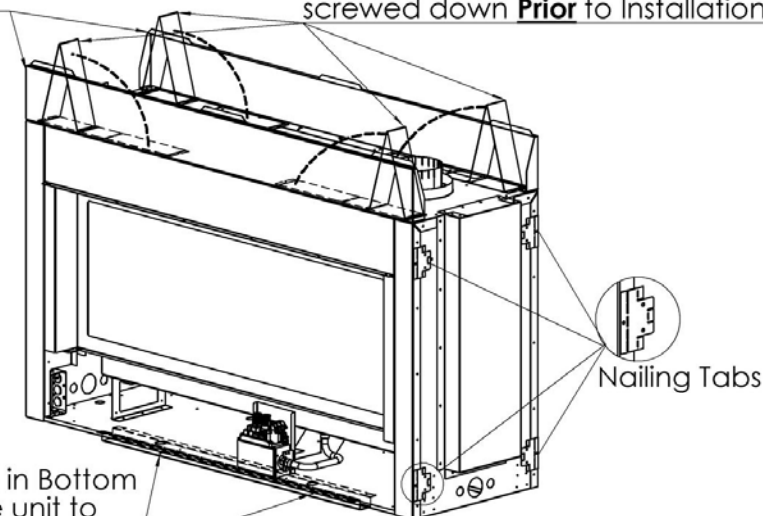
Stand-off Locations

Make note of where the stand-off locations are. These stand-offs are provided as indicators to illustrate the boundaries for framing. Therefore, no framing material is permitted to extend beyond these stand-offs.

Both Header Panels must be attached to the top of the unit.

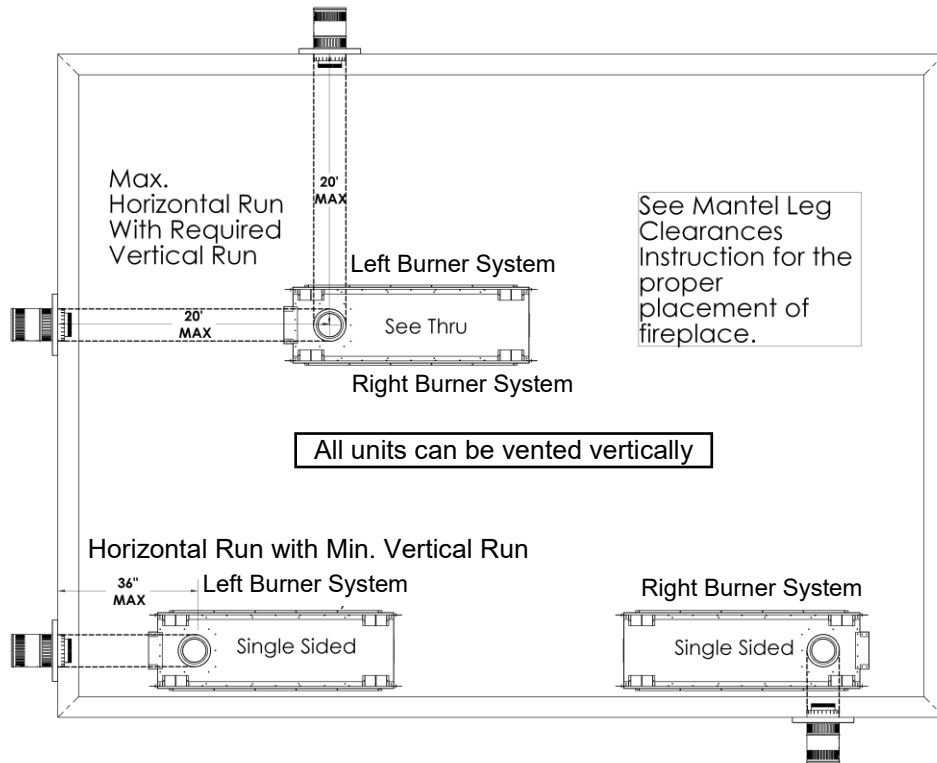
Caution: All 4 Standoffs on top of the unit must be folded into position & screwed down **Prior** to Installation.

Holes are provided in Bottom Channels to secure unit to floor after Installation.

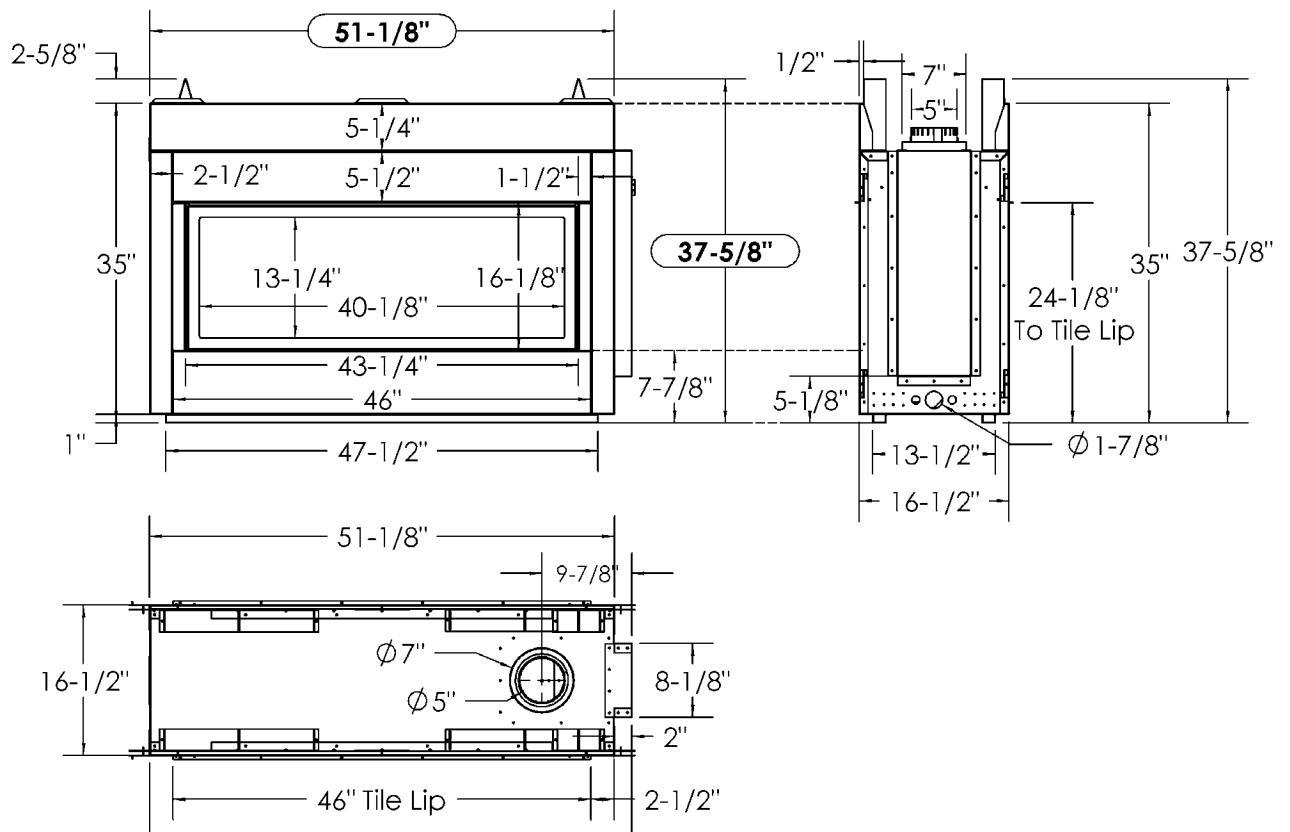


MQRB5143 Locating Your Appliance

All units are Factory Set for a Left Hand Burner System. Right Hand Burner System Requires Valve to be relocated to right side of unit.



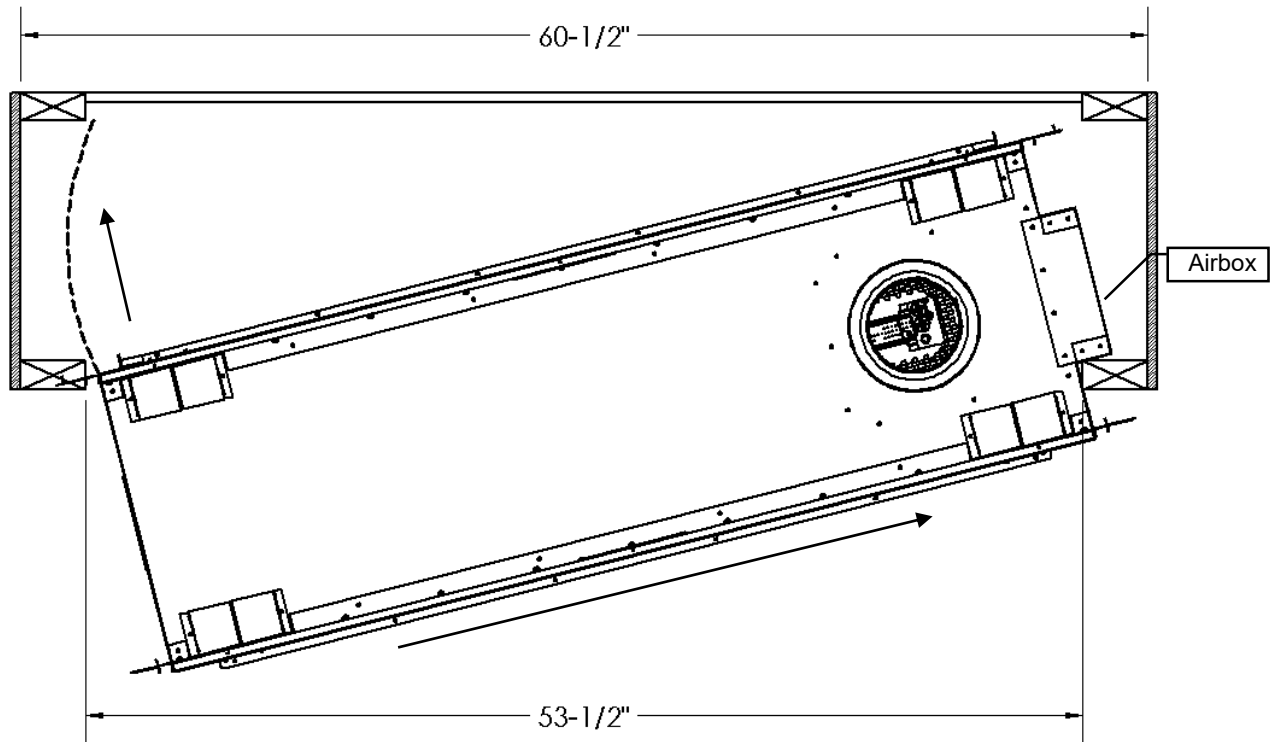
MQRB5143 Fireplace Dimensions



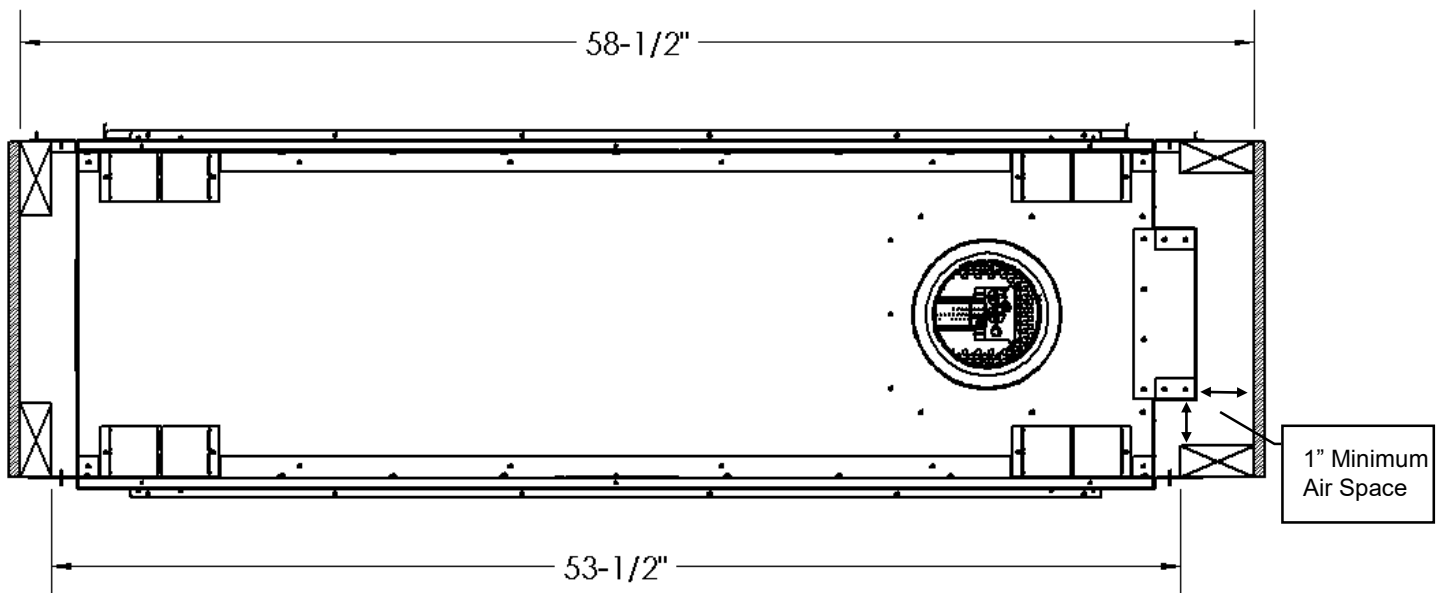
MQRB5143 - Pre-existing Enclosures vs Framing Enclosure Around Fireplace

Inserting Unit Into Pre-existing Enclosure: Enclosure must be $60\text{-}1/2"$ inside width.

Opening should be greater than $53\text{-}1/2"$ minimum. Insert airbox on side of unit first and swing into place.



Framing Enclosure Around Fireplace: If unit is in place before enclosure is built, minimum clearances for opening can be followed.

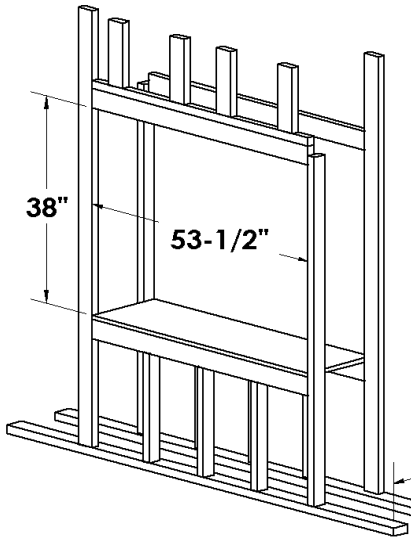


MQRB5143 -See Through Framing

An **MQRB5143SK** Kit is required for a See Thru Installation.

Before you begin Framing- Determine for both sides whether the **Wall Surface** will be flush with the face of the fireplace (Fireplace and wall to be covered with Non-Combustibles, such as tile), or the **Framing** will be flush with the face of the fireplace (Flat Wall appearance).

Note: If using Optional Surround, Maximum Thickness for Non-Combustible Material is 3/4".



Framing Style shown is for illustration purposes only.
This structure is NOT load bearing.
[Steel Stud Framing Shown]

Follow all Clearances to Combustibles.

Framed Opening 53-1/2" Wide x 38" Tall

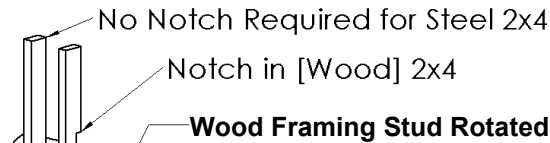
Dimension

15-3/8"

*15-3/8" Dimension is for **Wall Surface Flush with Unit on Both Sides**.
Add 1/2" to this Dimension for each side where a non-combustible wall surface will cover the unit (see **Nailing Tab Guide** page also).

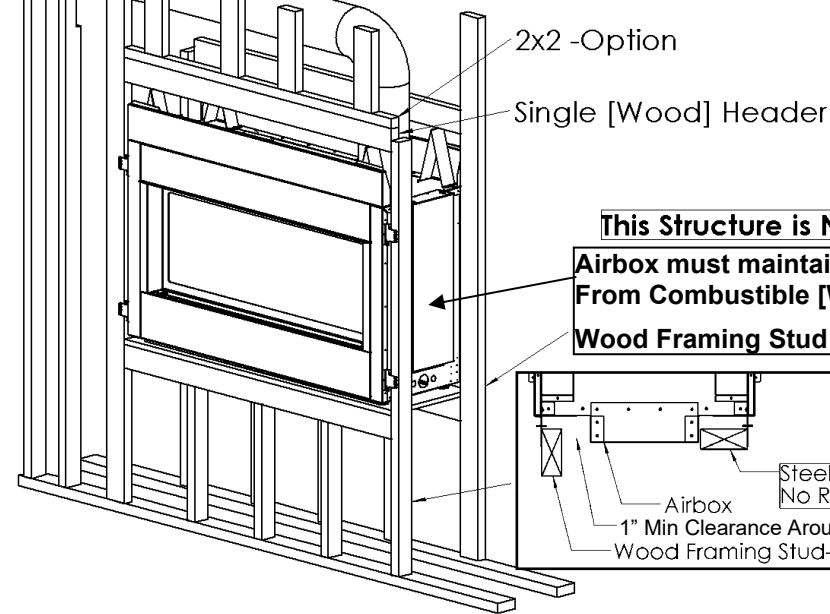
Fireplace Vent **Must** Maintain Min. 1" Clearance from Combustible [Wood] Framing.

Many Framing Options are possible. A few Ideas are shown here.



Note: If **Steel Framing** is used, 1" Vent Clearance is not required.

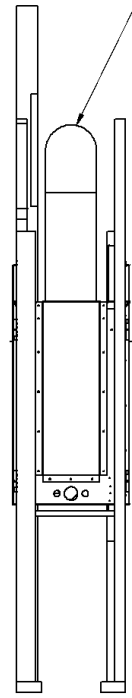
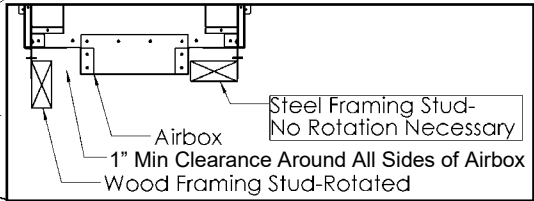
Support horizontal pipes every 2ft with metal strap bands.



This Structure is NOT Load Bearing.

Airbox must maintain Min. 1" Clearance From Combustible [Wood] Framing.

Wood Framing Stud -Rotated



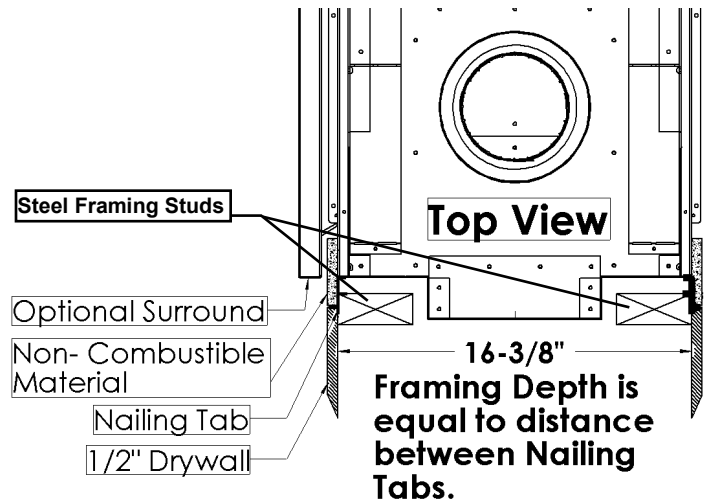
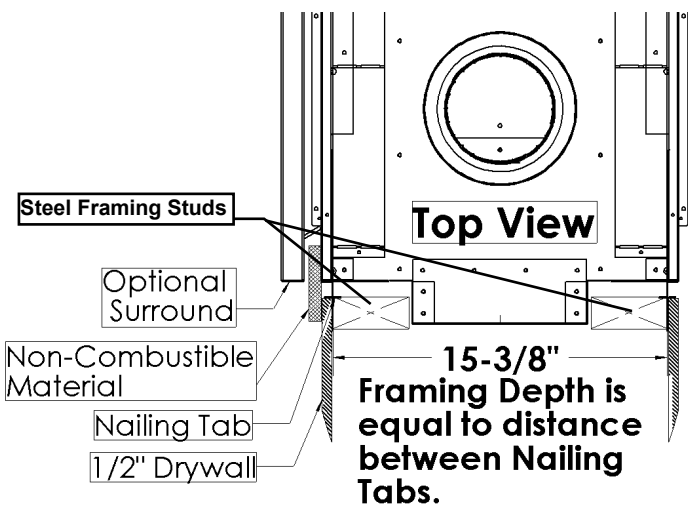
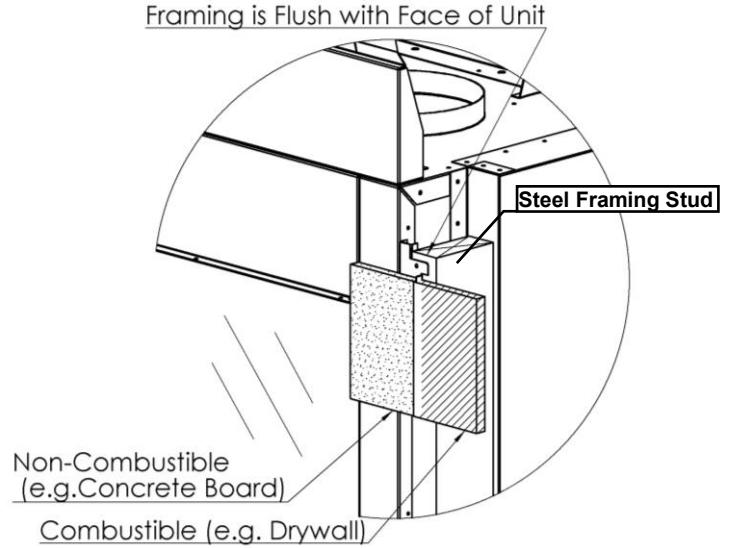
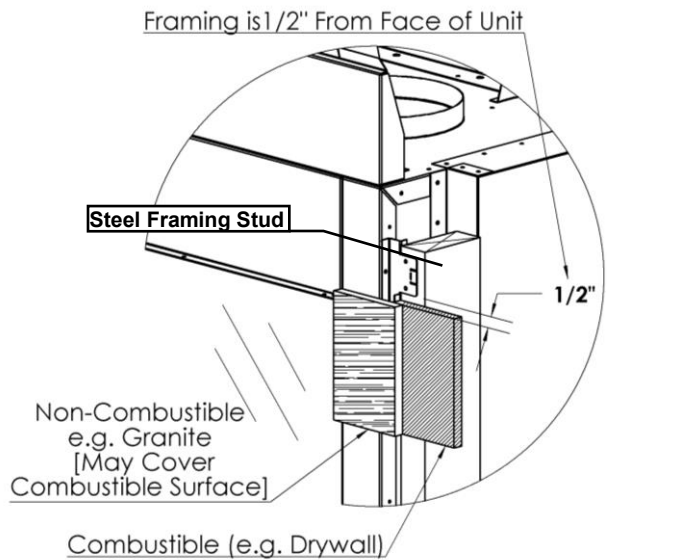
Also Refer to **Clearance to Combustibles, Enclosure Heights, and Venting** Sections of this Manual.

(Continued)

Wall Surface Flush With Face of Fireplace

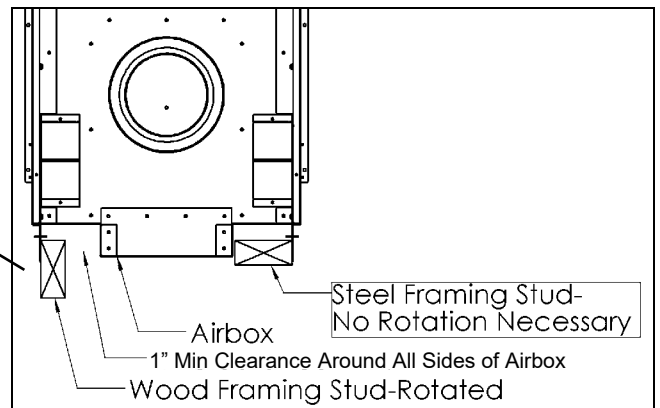
Framing Flush With Face of Fireplace

[Steel Stud Framing Shown.]



Note: If using Optional Surround, Maximum Thickness for Non-Combustible Material is 3/4".

Note: If Combustible (Wood) Framing Studs are used, they must be Rotated to allow Min. 1" Clearance from Airbox.



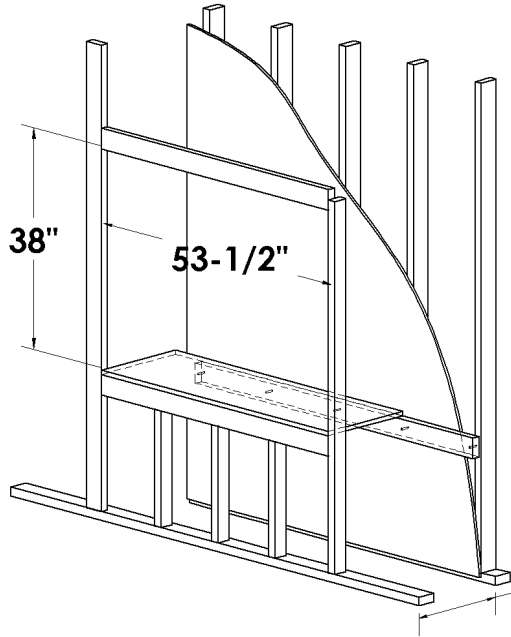
See "Nailing Tab Guide" and "MQRB4436SK / MQRB5143SK / MQRB6961SK" pages before placing unit into the framed opening.

MQRB5143 Single Sided Framing

An MQRB5143BK Kit is required for a Single Sided Installation.

Before you begin Framing- Determine whether the **Wall Surface** will be flush with the face of the fireplace (Fireplace and wall to be covered with Non-Combustibles, such as tile), or the **Framing** will be flush with the face of the fireplace (Flat Wall appearance).

Note: If using optional surround, maximum thickness for non-combustible material is 3/4".



Framing Style shown is for illustration purposes only.
This structure is NOT load bearing.
[Steel Stud Framing Shown]

Follow all Clearances to Combustibles.

**FRAMED OPENING 53-1/2" WIDE x 38" TALL
CANTILEVER FINISHED MINIMUM OPENING IS 57-1/2" WIDE**

Dimension
17" Min. *

* 17" Min. Dimension is for **Wall Surface Flush** with fireplace.
Add 1/2" to this Dimension where a non-combustible wall surface will cover the unit (see **Nailing Tab Guide** page also).

Fireplace Vent **Must** Maintain Min. 1" Clearance from Combustible [Wood] Framing.

Many Framing Options are possible. A few Ideas are shown here.

No Notch Required for Steel 2x4
Notch in [Wood] 2x4

Wood Framing Stud Rotated for Vent Clearance

Note: If **Steel Framing** is used, 1" Vent Clearance is not required.

Support horizontal pipes every 2ft with metal strap bands.

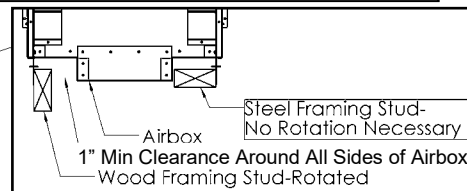
2x2 -Option

Single [Wood] Header

This Structure is NOT Load Bearing.

Airbox must maintain Min. 1" Clearance From Combustible [Wood] Framing.

Wood Framing Studs Must be Rotated



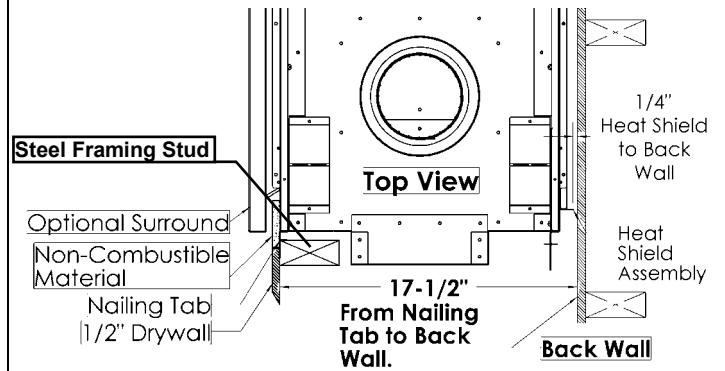
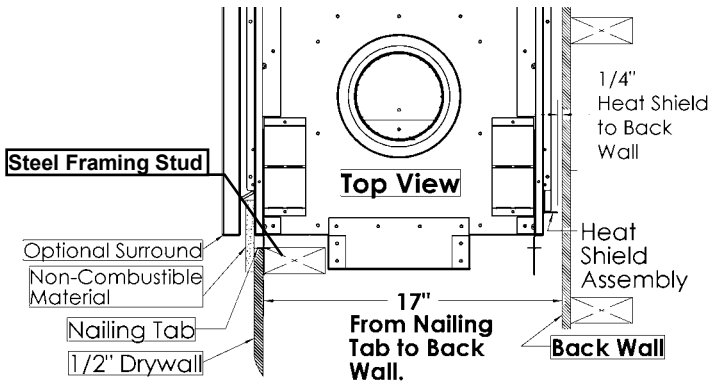
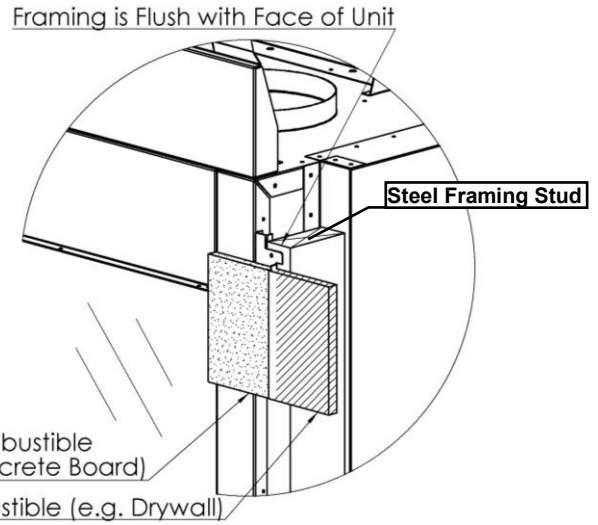
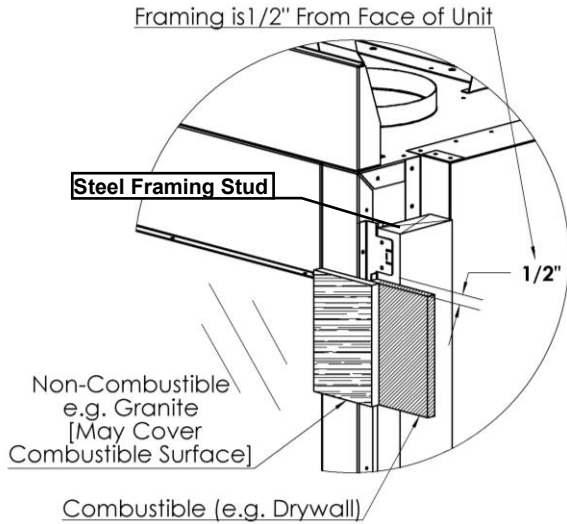
Also Refer to **Clearance to Combustibles, Enclosure Heights, and Venting** Sections of this Manual.

(Continued)

Wall Surface Flush With Face of Fireplace

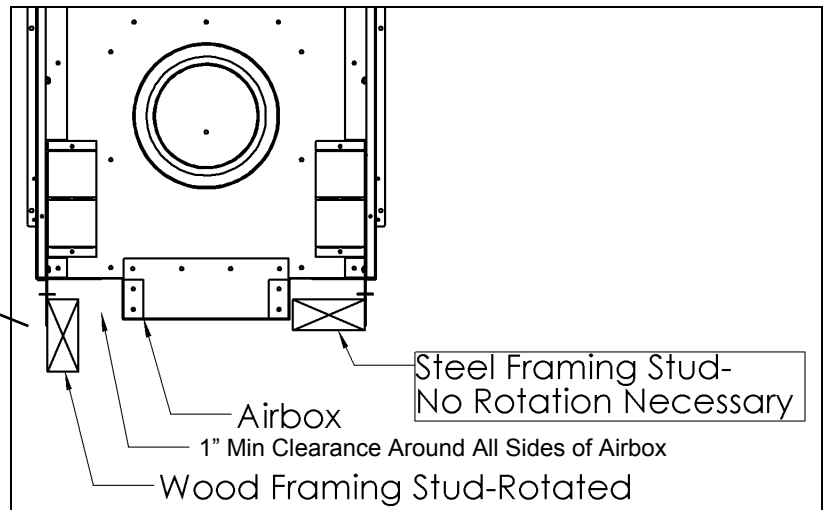
Framing Flush With Face of Fireplace

[Steel Stud Framing Shown.]



Note: If using Optional Surround, Maximum Thickness for Non-Combustible Material is 3/4".

Note: If Combustible (Wood) Framing Studs are used, they must be Rotated to allow Min. 1" Clearance from Airbox.



See "Nailing Tab Guide" and "MQRB4436BK / MQRB5143BK / MQRB6961BK" pages before placing unit into the framed opening.

MQRB5143 Combustible Enclosure Heights

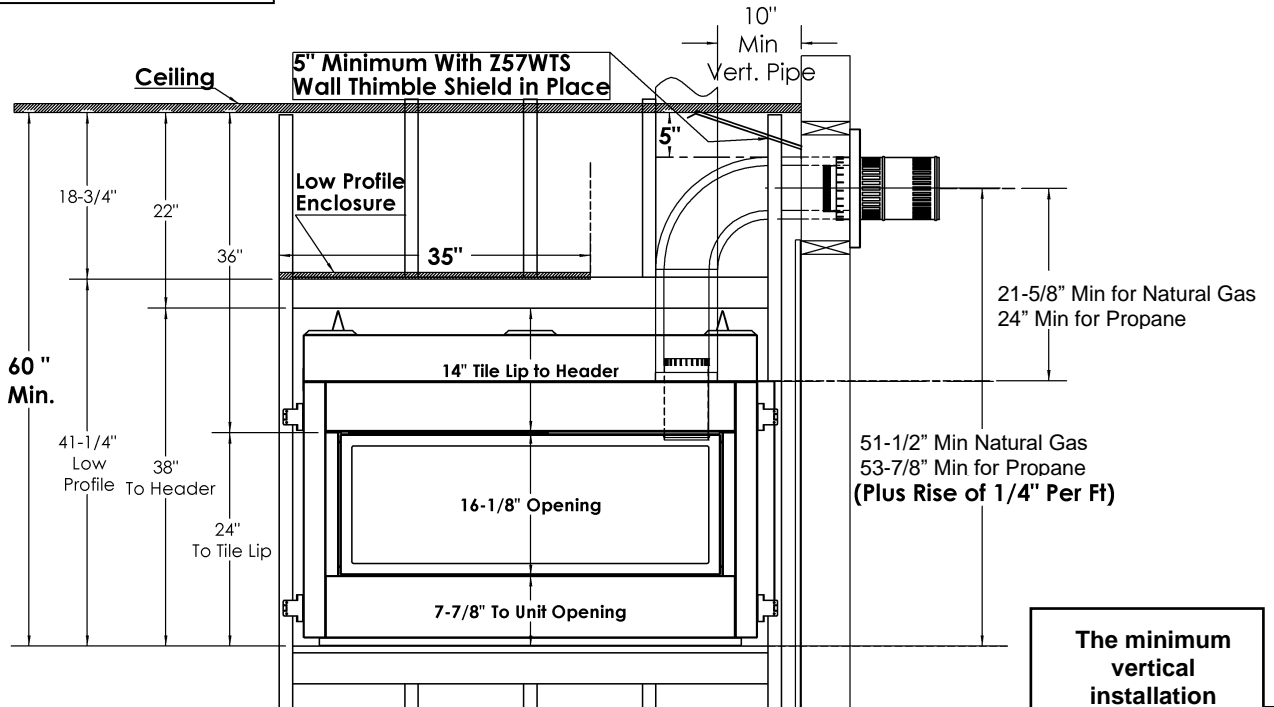
Cold Climate Recommendation

When installing this fireplace against an exterior wall or chase, it is recommended that the outer walls be insulated to conform to applicable insulation codes. Drywall must be installed over vapor barrier and insulation material to prevent direct contact with the appliance.

See Thru or Single Sided Installation

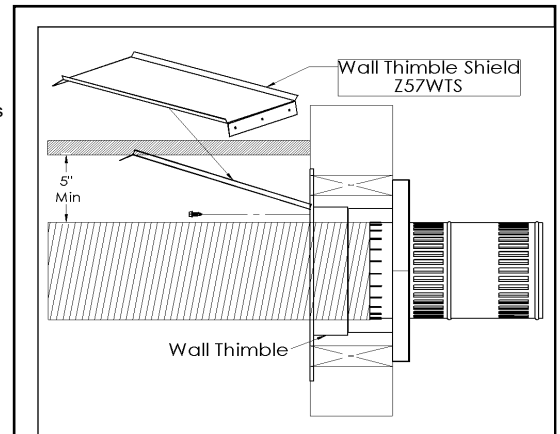
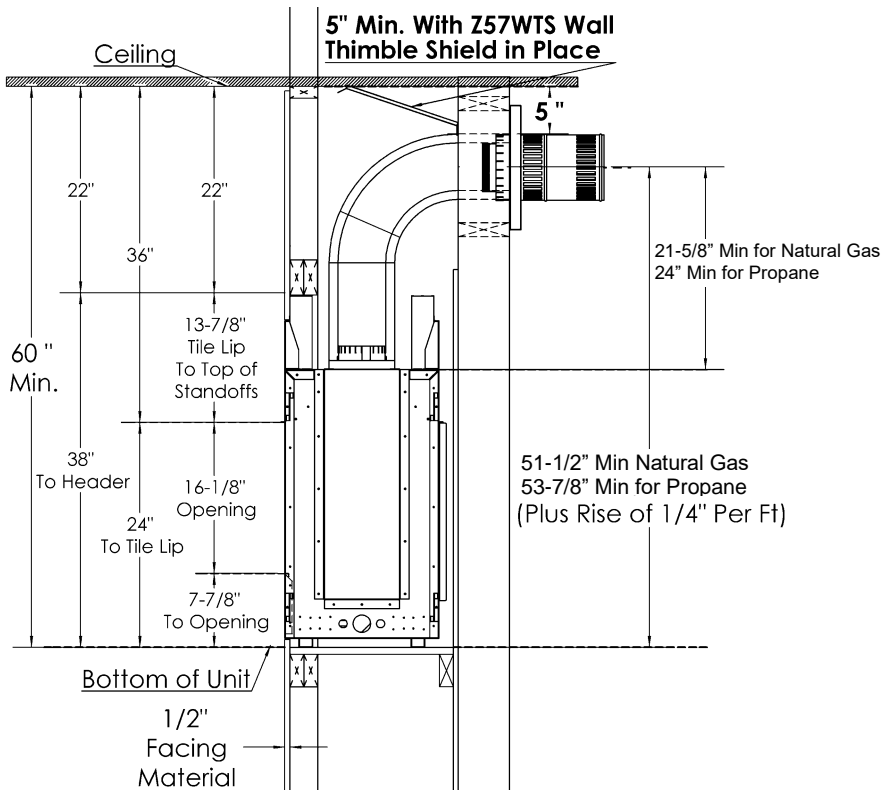
[Steel Stud Framing Shown]

For Propane Horizontal installations the venting must be a minimum of two feet vertical off the flue before going horizontal.



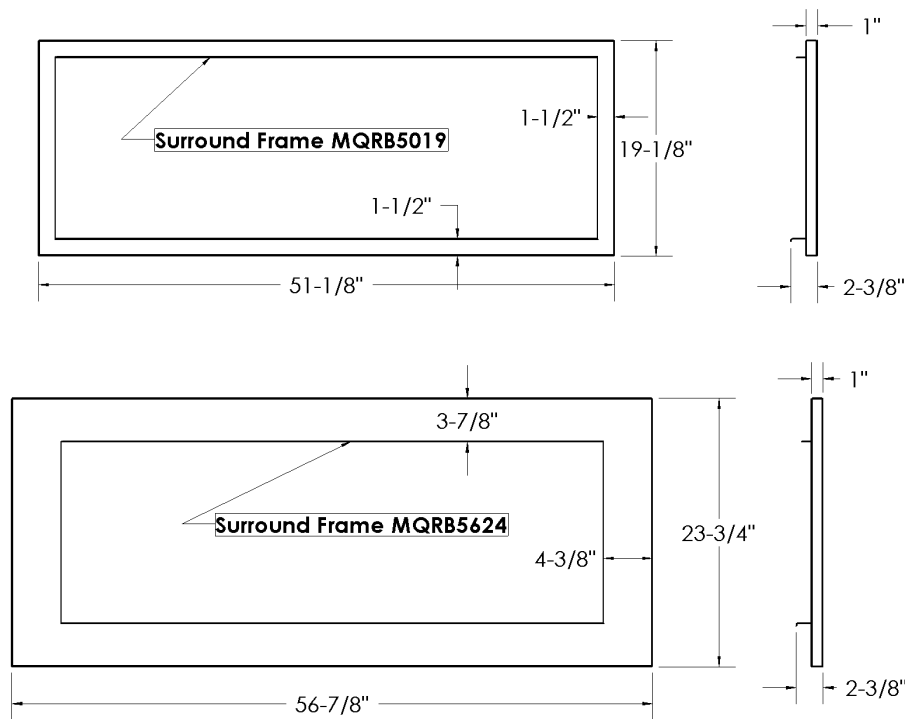
The minimum vertical installation height must be adhered to. Flex pipe venting must be fully stretched.

Single Side Installation Only [Steel Stud Framing Shown]



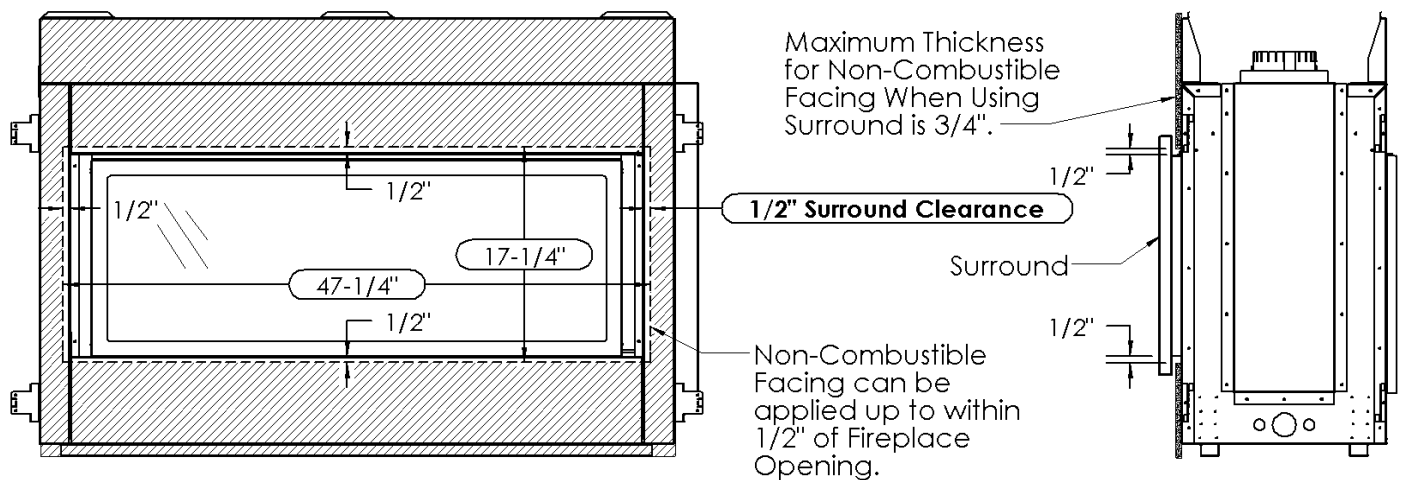
The Wall Thimble Shield Z57WTS is required in All Enclosures below 72" [Seventy-Two Inches]. Place Wall Thimble Shield Z57WTS against the Wall Thimble Immediately above the Vent. Install the Wall Thimble Shield using [3] DT Screws.

Surround Dimensions MQRB5143



- The Surround Frames are 1" thick, with a 3/4" space behind the frame.
- When using Surrounds, Maximum Thickness for Non-Combustible Facing Materials is 3/4".
- The Fireplace may be covered up to within 1/2" of the opening with non-combustible materials.

Surround Clearances 5143

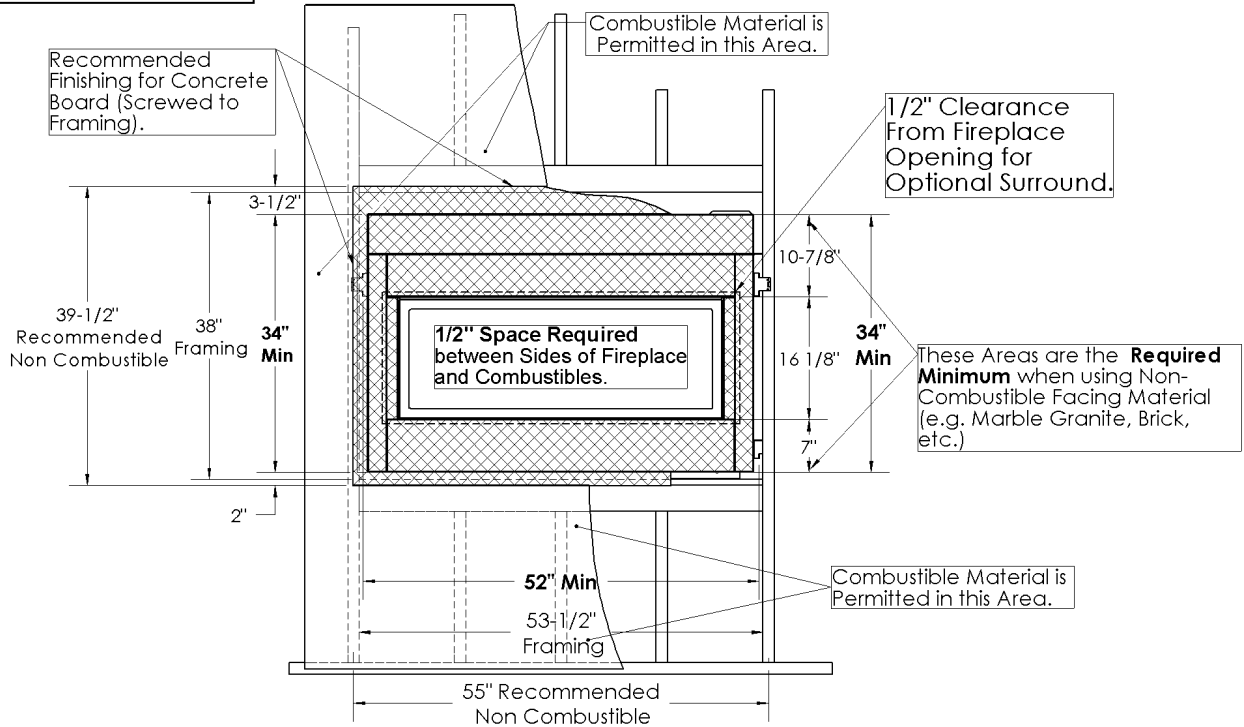


MQRB5143 Facing Material Requirements

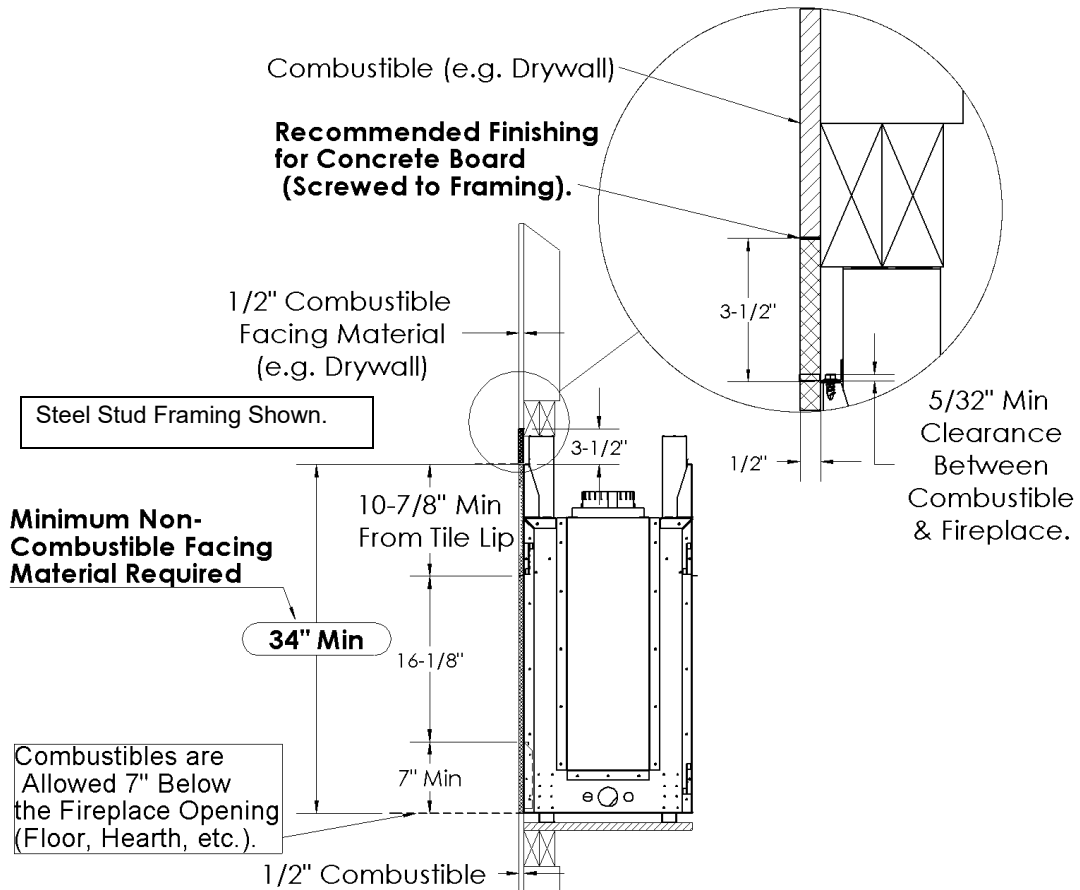
These specifications are the same for all Models (5143N, 5143NE, 5143LP, 5143LPE).

Note: If using Optional Surround, See Surround Clearances Section.

[Steel Stud Framing Shown.]



Note: Do not drive excessively long screws into the face of the unit as internal parts may be damaged.



MQRB5143 Mantel Clearances

Before installing any mantels it is important to determine the combustibility of its material(s). There are two types of mantels to consider: Combustible and Non-Combustible.

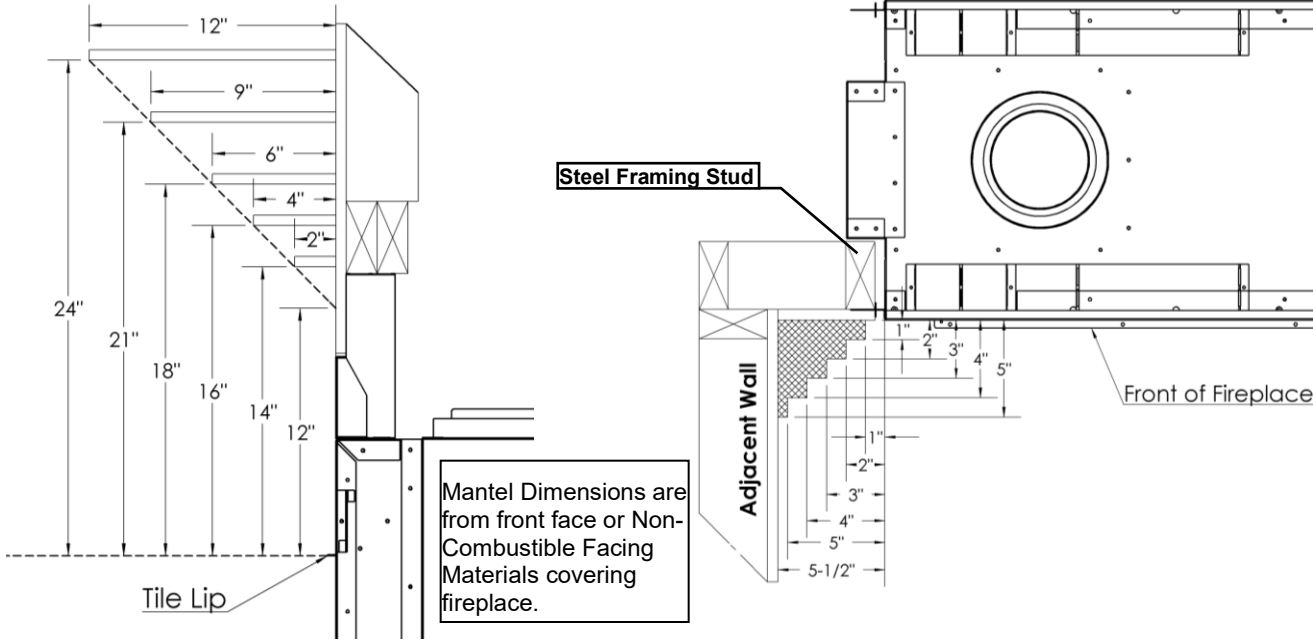
A **Combustible Mantel** is one that consists of material(s) that may discolor, combust, or lose its integrity in the presence of heat. These types of mantels must strictly conform to the dimensional requirements shown below.

Conversely, a **Non-Combustible Mantel** is one that is constructed with material(s) that will not combust. Check your local codes and regulations to determine whether your mantel is Combustible or Non-Combustible.

The advantage to Non-Combustible Mantels is that it may extend right up to the tile lip of the fireplace. Combustible mantels must adhere to the dimensional restrictions shown below.

⚠️-Combustible Objects on Non-Combustible Mantel Warning-
 Combustible objects must not be placed on a Non-combustible Mantel unless the mantel meets the dimensional requirements for a Combustible Mantel. Refer below to determine whether your mantel conforms to the requirements of a Combustible Mantel.

[Steel Stud Framing Shown.]



Mantel Dimensions are from front face or Non-Combustible Facing Materials covering fireplace.

Clearance to Combustibles	MQRB5143
Front	24" [61cm]
Back Shield Kit to Wall	0" [0cm]
Side (from Stand-offs)	0" [0cm]
Floor*	0" [0cm]
Airbox on Flue Side of Unit	1" [25cm]
Minimum Ceiling Height (from bottom of fireplace)	60" [153cm]
Top (from Stand-offs)	0" [0cm]
Top of 90° Bend under 72" Enclosure	5" (With Wall Thimble Shield [Z57WTS]) All Vent Systems
Top of 90° Bend over 72" Enclosure	4" All Vent Systems
Top of Horizontal Pipe	2" All Vent Systems
Side & Bottom of Horizontal Pipe	1" All Vent Systems
Vertical Vent Pipe	1" All Vent Systems
Vertical Vent Pipe	1" DuraVent-DirectVent Pro / AmeriVent / Selkirk Direct Temp Systems

***Note:** If appliance is installed directly on carpeting or other combustible material other than wood flooring, a metal or wood panel extending the full width and depth of the appliance must be used. Carpet may extend 1 inch above the floor of the appliance.

MQRB6961: Framing Your Gas Fireplace

This section is intended for qualified installers only. Before beginning, make note of where the gas and electrical accesses are located on the unit. This will streamline the construction process. Furthermore, familiarize yourself with the venting and clearance requirements (see Venting section) for this appliance. Failure to comply with those requirements can seriously compromise the safety and operation of the fireplace.

⚠ NOTE: Kingsman Flex venting MUST be used on the MQRB6961. Use of Duravent- DirectVent Pro or other hard pipe venting systems is not permitted unless a power vent is used.

Specifications

1. Cold climate installation recommendation: When installing this fireplace against non insulated exterior wall or chase, it is recommended that the outer walls be insulated to conform to applicable insulation codes. Drywall & vapor barrier must be installed over insulation to prevent contact of insulation and unit.
2. Choose fireplace location and frame in accordance with the fireplace framing dimensions specified. Airbox on flue side must maintain Min. 1" Clearance from Combustible (Wood) Framing (see framing diagrams).
3. Drywall or other combustible material can extend up to the Drywall Stops located on the sides of the unit, and up to the bottom and top.
4. When installing horizontal with a 90 degree bend maintain a minimum of six and one half inches [6-1/2"] for MQRB6961 above the bend with the Wall Thimble Shield [Z57WTS] in enclosures below seventy-eight inches [78"]. See MQRB6961 Combustible Enclosure Heights page.
5. A Hearth is not required for this unit.

Vertical Venting in Cold Climates

In cold climate conditions where temperatures go below -10 degrees Celsius or 14 degrees Fahrenheit, we recommend that the chase be insulated and where the vent pipe enters into the attic space that the pipe be wrapped with an insulated Mylar sleeve. This will increase the temperature of the vent and help the appliance to vent properly in cold weather conditions.

It is also important in vertical vented direct vent appliances that the appliance be operated daily during the winter months as this will help stop the termination from freezing up. We recommend using a thermostat set at room temperature to allow the unit to cycle.

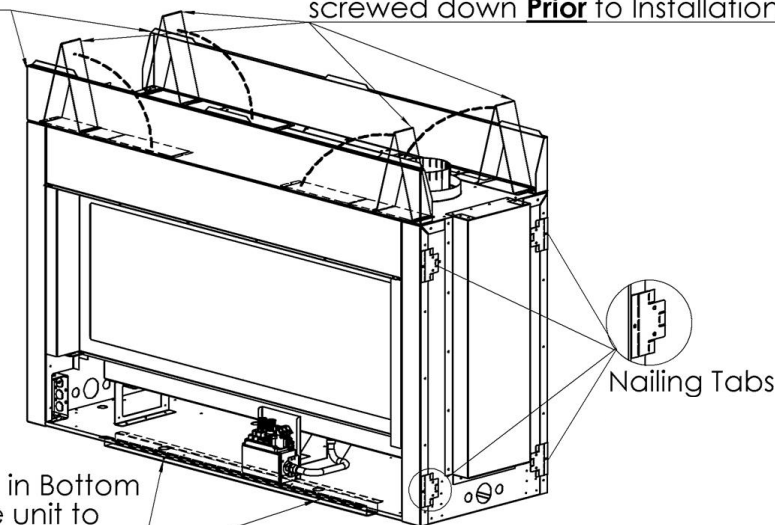
For IPI models it may be necessary to set the appliance to Standing Pilot mode to maintain heat in the cavity. The purpose of this procedure is to prevent cold air from penetrating the chimney and then onto the living space. Therefore, when the internal temperature is slightly elevated the fireplace is able to freely exhaust its combustion and hence making it easier to startup.

Stand-off Locations

Make note of where the stand-off locations are. These stand-offs are provided as indicators to illustrate the boundaries for framing. Therefore, no framing material is permitted to extend beyond these stand-offs.

Both Header Panels must be attached to the top of the unit.

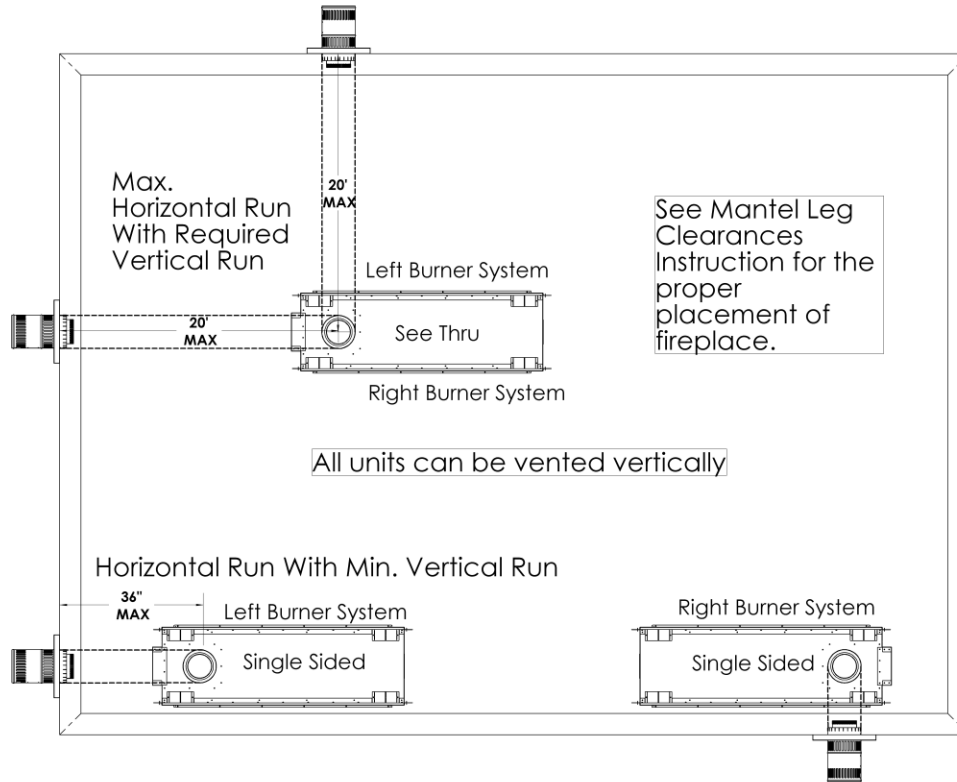
Caution: All 4 Standoffs on top of the unit must be folded into position & screwed down **Prior** to Installation.



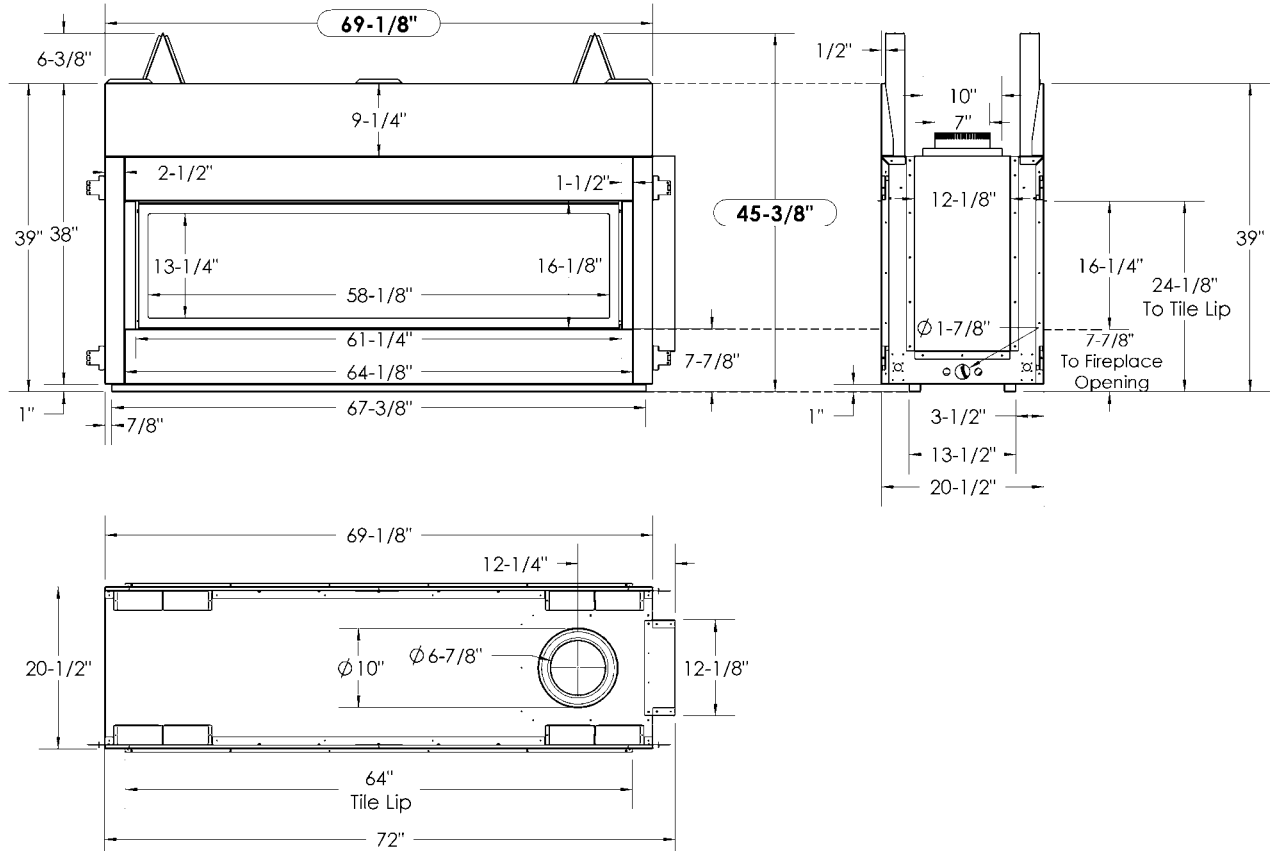
Holes are provided in Bottom Channels to secure unit to floor after Installation.

MQRB6961 Locating Your Appliance

All units are Factory Set for a Left Hand Burner System. Right Hand Burner System Requires Valve to be relocated to right side of unit.



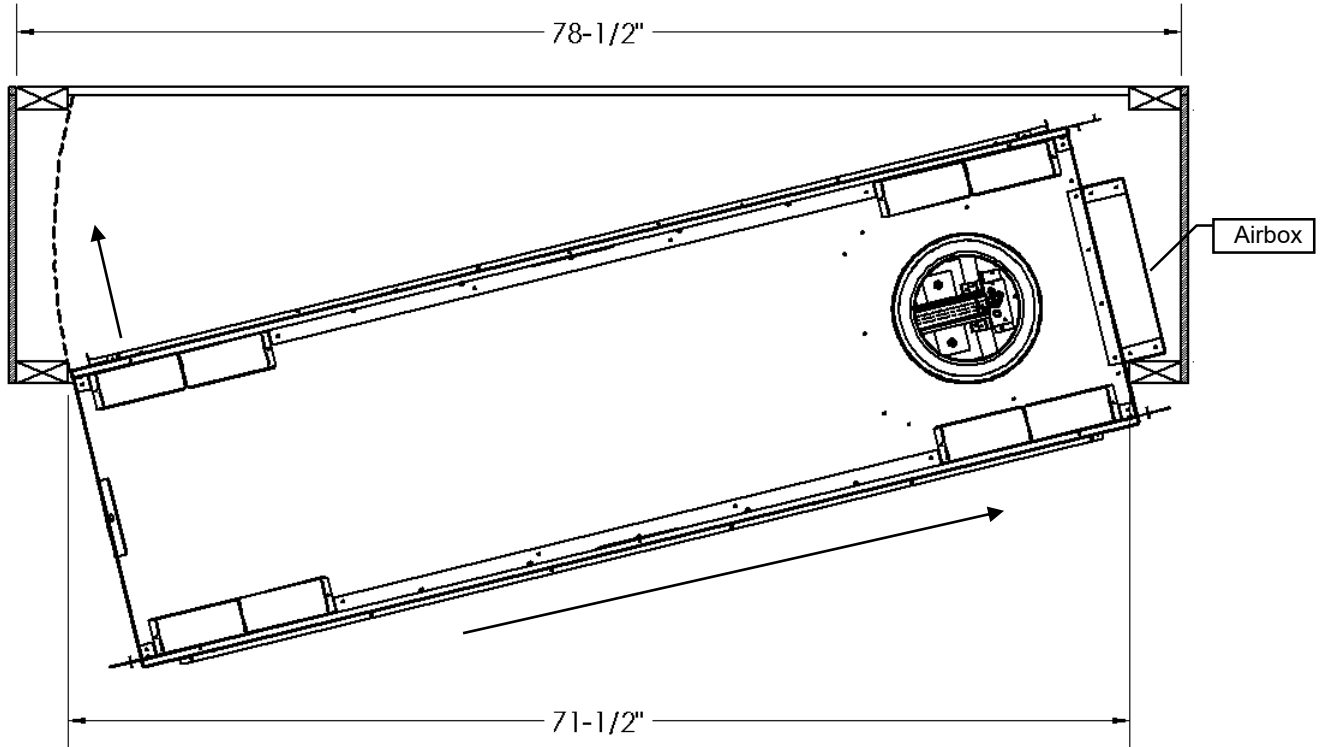
MQRB6961 Fireplace Dimensions



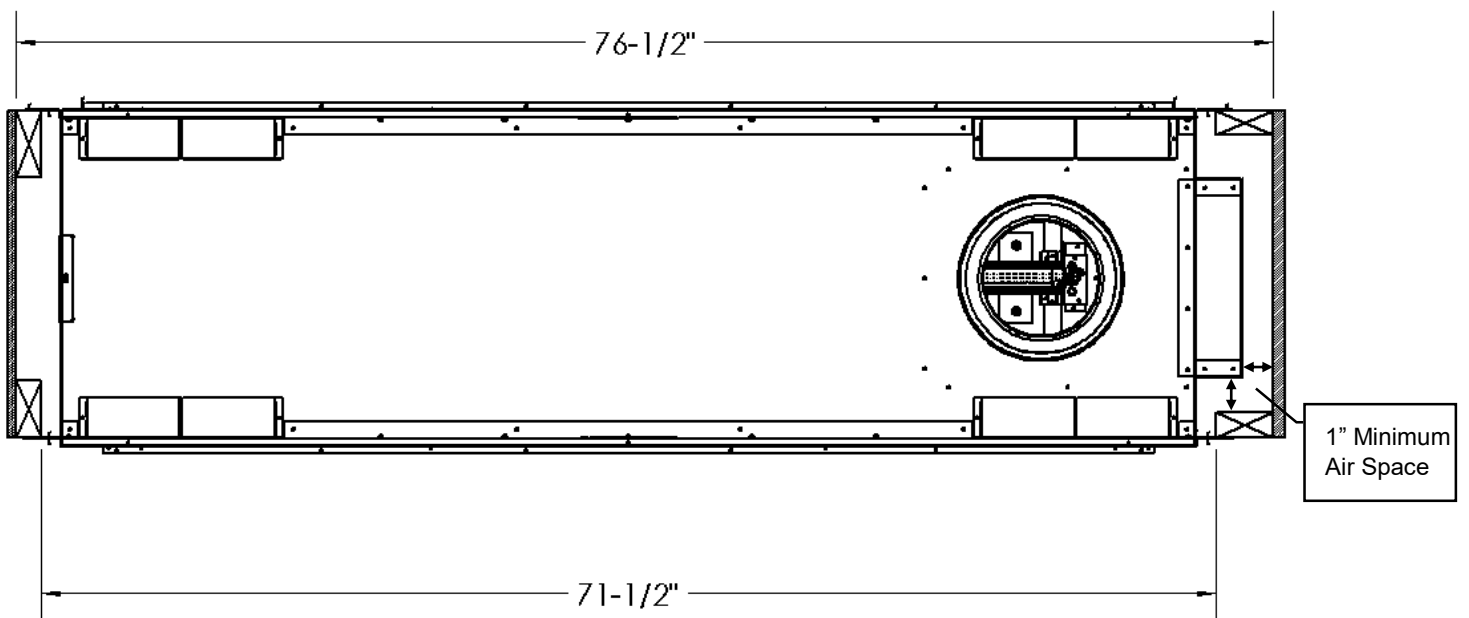
MQRB6961 - Pre-existing Enclosures vs Framing Enclosure Around Fireplace

Inserting Unit Into Pre-existing Enclosure: Enclosure must be $78\frac{1}{2}$ " inside width.

Opening should be greater than $71\frac{1}{2}$ " minimum. Insert airbox on side of unit first and swing into place.



Framing Enclosure Around Fireplace: If unit is in place before enclosure is built, minimum clearances for opening can be followed.



MQRB6961 See Thru Framing

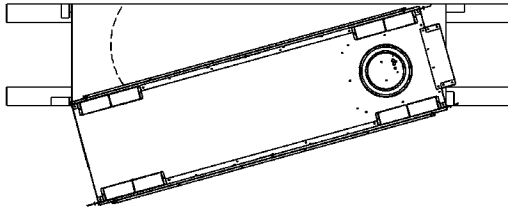
MQRB6961SK Kit is required for a See Thru Installation.

Before you begin Framing- Determine whether the **Wall Surface** will be flush with the face of the fireplace (Fireplace and wall to be covered with Non-Combustibles, such as tile), or the **Framing** will be flush with the face of the fireplace (Flat Wall appearance).

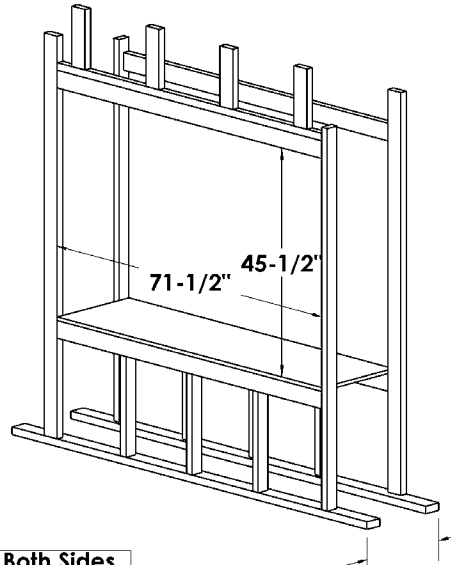
Note: If using optional surround, maximum thickness for non-combustible material is 3/4".

Framed Opening 71-1/2" x 45-1/2"
 Framing style shown is for illustration purposes only.
 This structure is NOT load bearing.
 [Steel Stud Framing Shown]

Follow all Clearances to Combustibles.

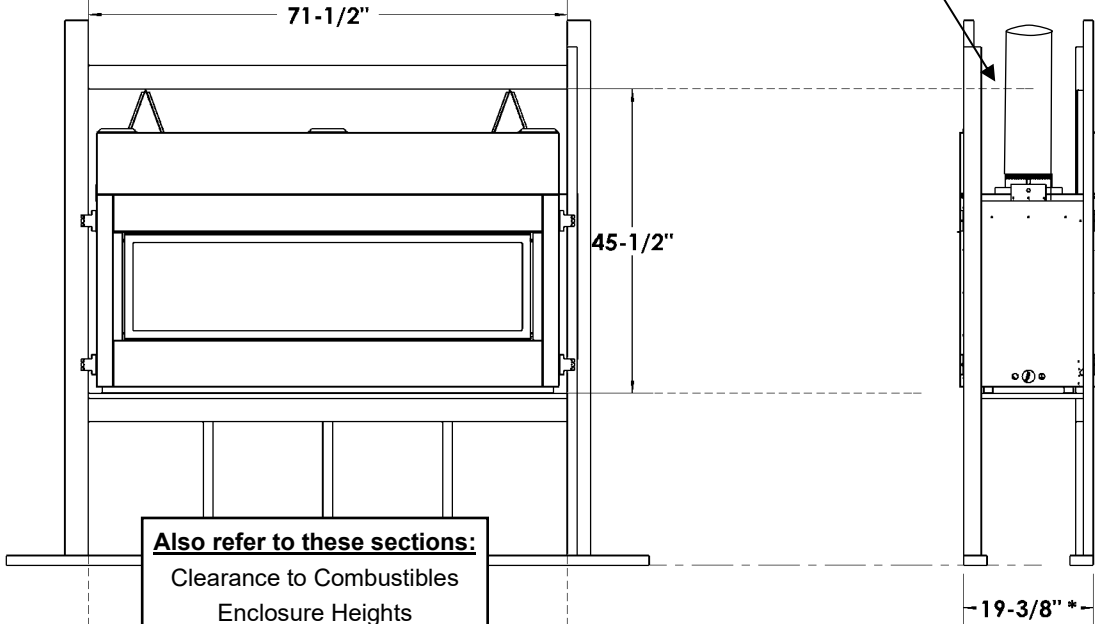


Parallel Park Unit into Framing.

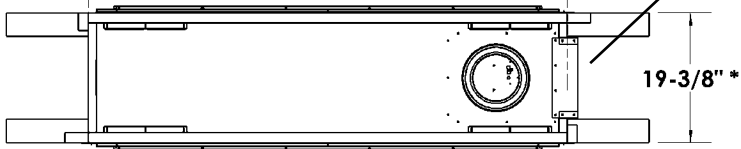


* 19-3/8" Dimension is for Wall Surface Flush with Unit on Both Sides.
 Add 1/2" to this Dimension for each side where a non-combustible wall surface will cover the unit (See Nailing Tab Guide Page Also).

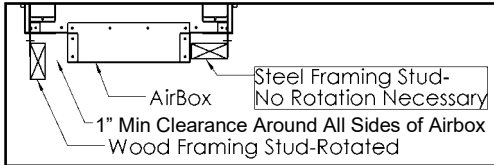
Fireplace vent MUST maintain min. 1" clearance from combustible (Wood) framing. However, if steel stud framing is used, 1" vent clearance is not required.



Also refer to these sections:
 Clearance to Combustibles
 Enclosure Heights
 Venting



Note: If Combustible (Wood) Framing Studs are used, they must be rotated to allow Min. 1" Clearance from Airbox.

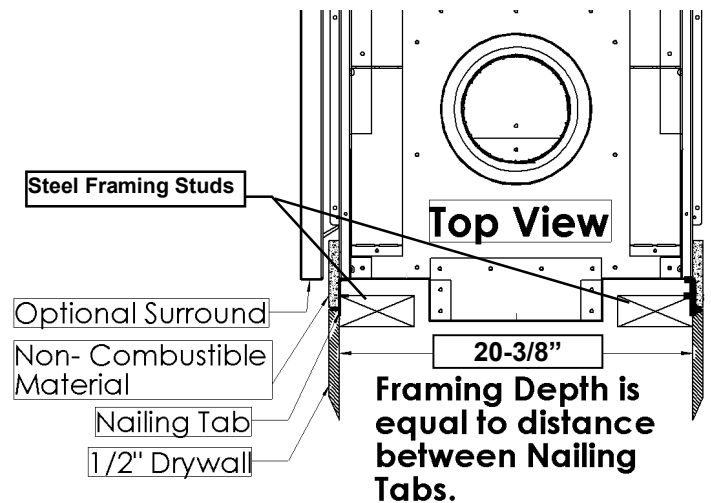
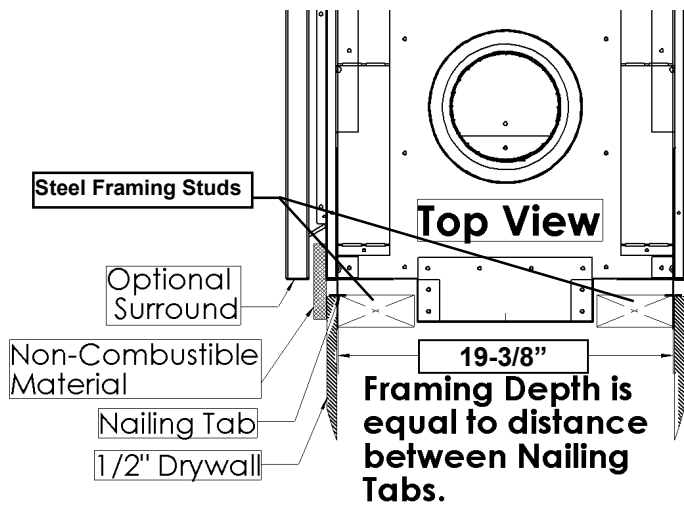
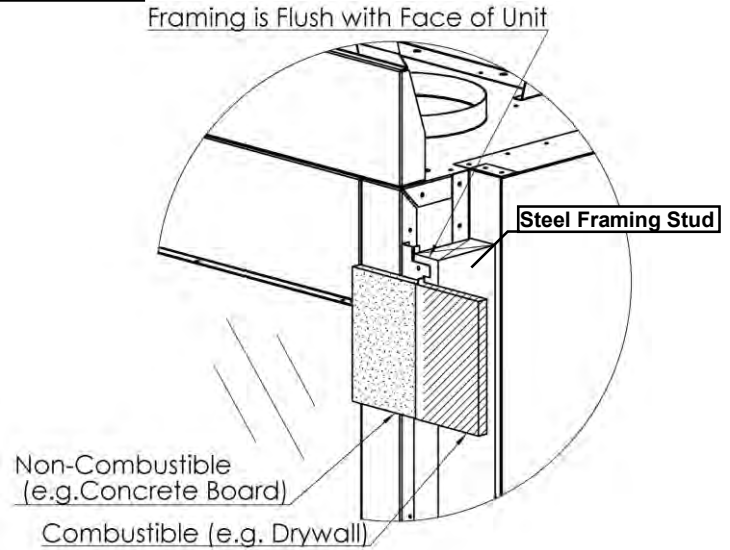
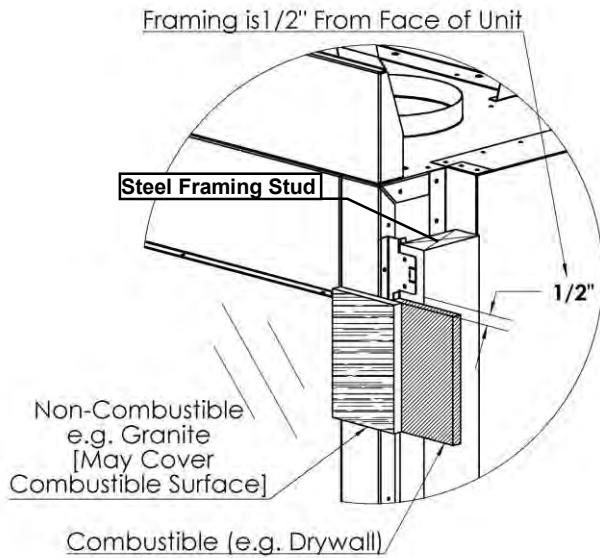


(Continued)

Wall Surface Flush With Face of Fireplace

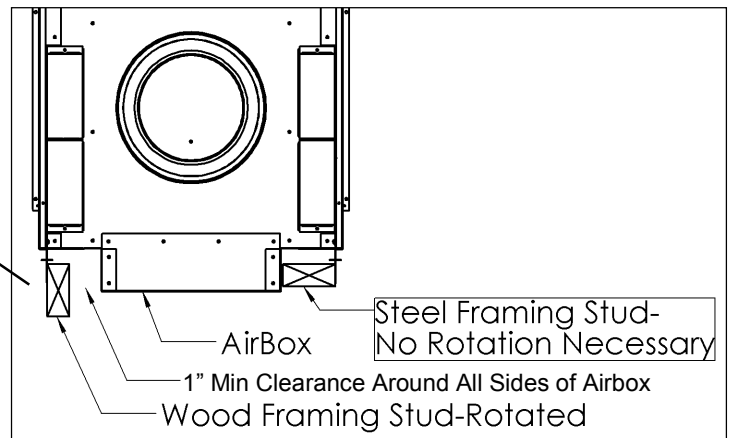
Framing Flush With Face of Fireplace

[Steel Stud Framing Shown.]



Note: If using Optional Surround, Maximum Thickness for Non-Combustible Material is 3/4".

Note: If Combustible (Wood) Framing Studs are used, they must be rotated to allow Min. 1" Clearance from Airbox.



See the "Nailing Tab Guide" and "MQRB5143SK / MQRB6961SK" pages before placing unit into the framed opening.

MQRB6961 Single Sided Framing

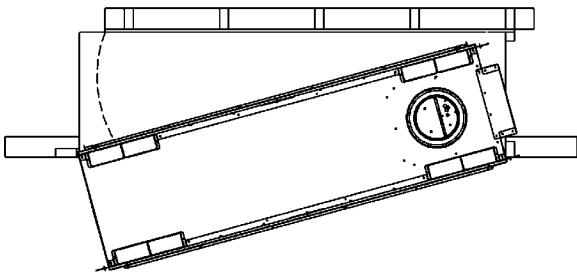
An **MQRB6961BK** Kit is required for a Single Sided Installation.

Before you begin Framing- Determine whether the **Wall Surface** will be flush with the face of the fireplace (Fireplace and wall to be covered with Non-Combustibles, such as tile), or the **Framing** will be flush with the face of the fireplace (Flat Wall appearance).

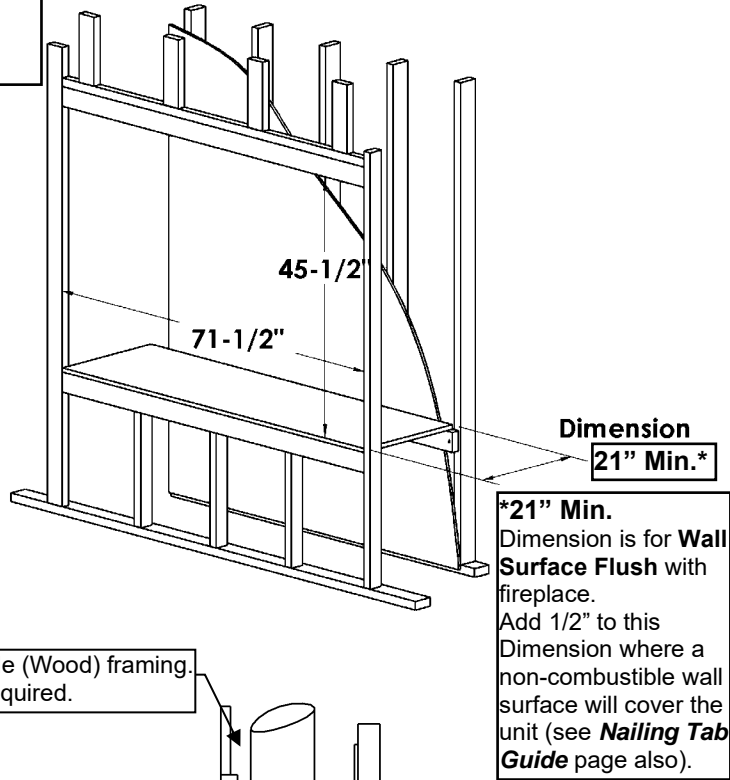
Note: If using optional surround, maximum thickness for non-combustible material is 3/4".

FRAMED OPENING 71-1/2" X 45-1/2"
CANTILEVER FINISHED MINIMUM OPENING IS 77-1/2" WIDE
 Framing Style shown is for illustration purposes only.
 This structure is NOT load bearing.
 Steel Stud Framing Shown

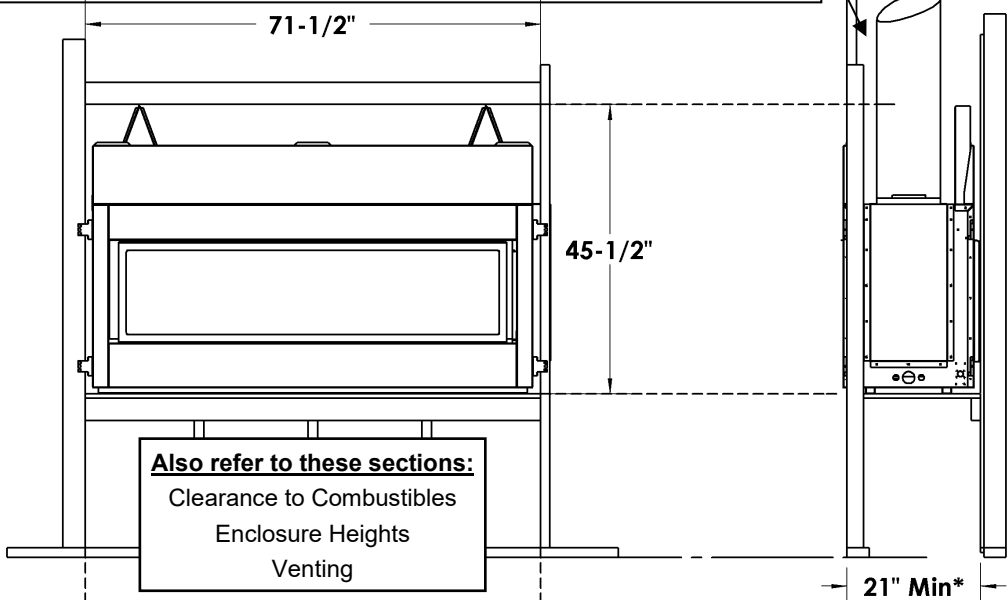
Follow all Clearances to Combustibles.



Parallel Park Unit into Framing.



Fireplace vent MUST maintain min. 1" clearance from combustible (Wood) framing. However, if steel stud framing is used, 1" vent clearance is not required.



Also refer to these sections:
 Clearance to Combustibles
 Enclosure Heights
 Venting

Note: If Combustible (Wood) Framing Studs are used, they must be Rotated to allow Min. 1" Clearance from Airbox.

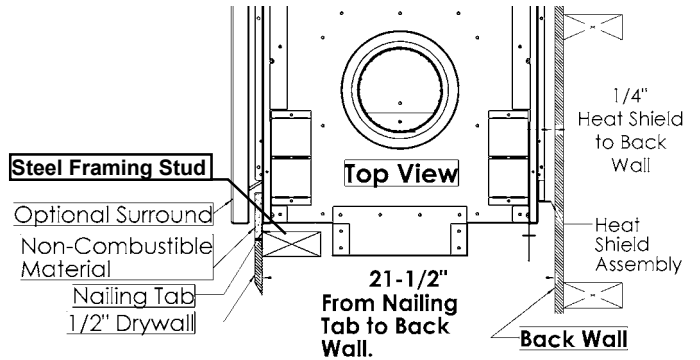
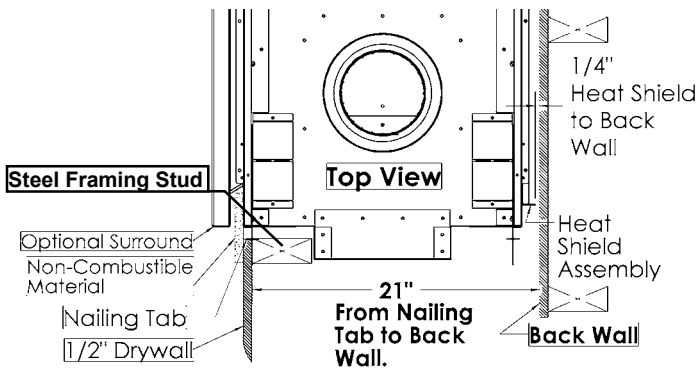
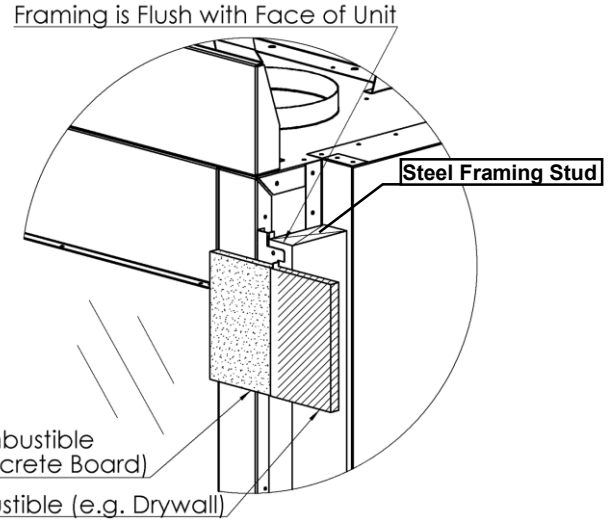
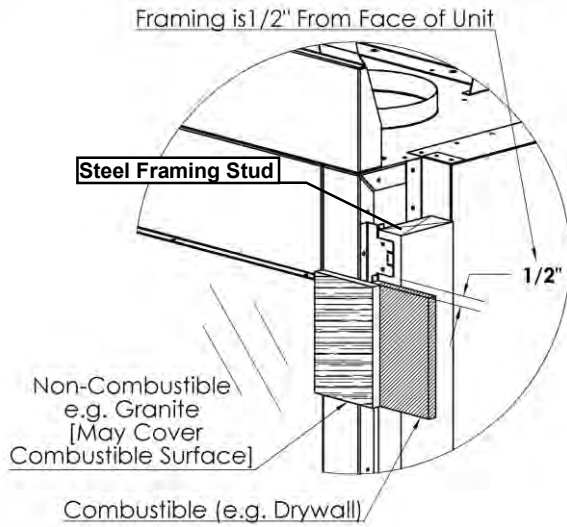
AirBox
 Steel Framing Stud- No Rotation Necessary
 1" Min Clearance Around All Sides of Airbox
 Wood Framing Stud-Rotated

(Continued)

Wall Surface Flush With Face of Fireplace

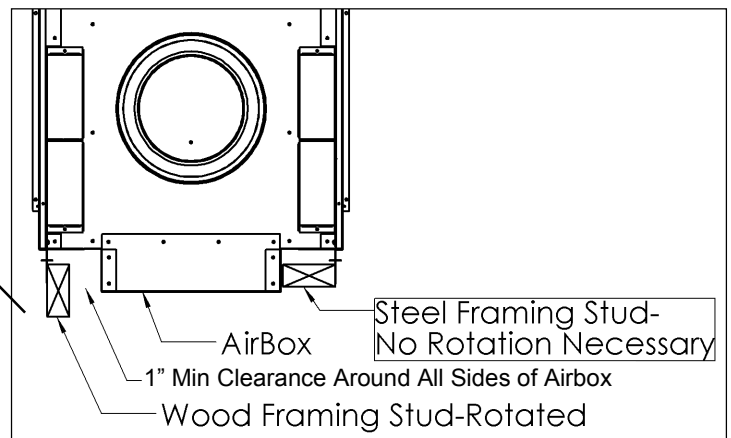
Framing Flush With Face of Fireplace

[Steel Stud Framing Shown.]



Note: If using Optional Surround, Maximum Thickness for Non-Combustible Material is 3/4".

Note: If Combustible (Wood) Framing Studs are used, they must be Rotated to allow Min. 1" Clearance from Airbox.



See the "Nailing Tab Guide" and "MQRB5143BK / MQRB6961BK" pages before placing unit into the framed opening.

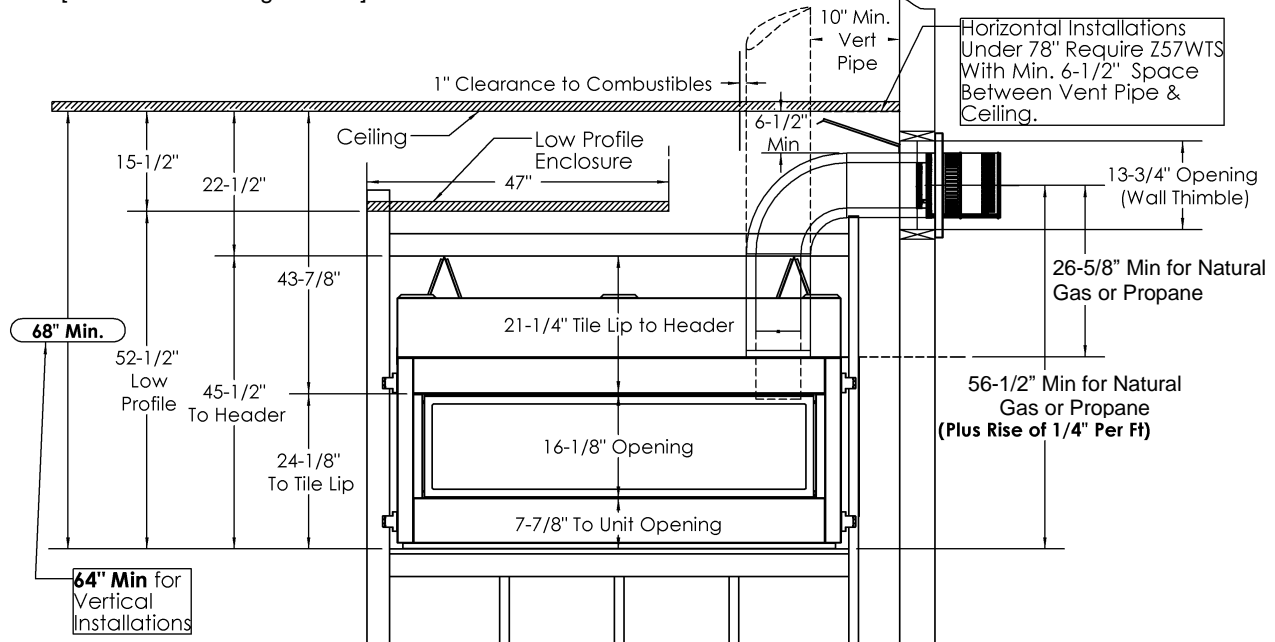
MQRB6961 Combustible Enclosure Heights

Cold Climate Recommendation

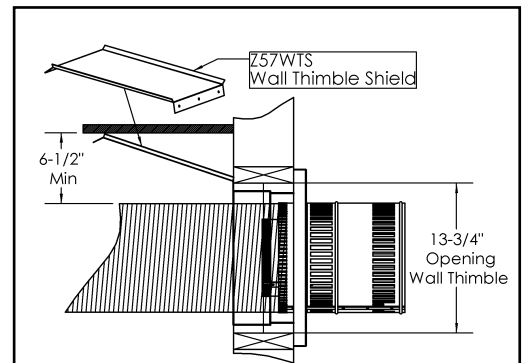
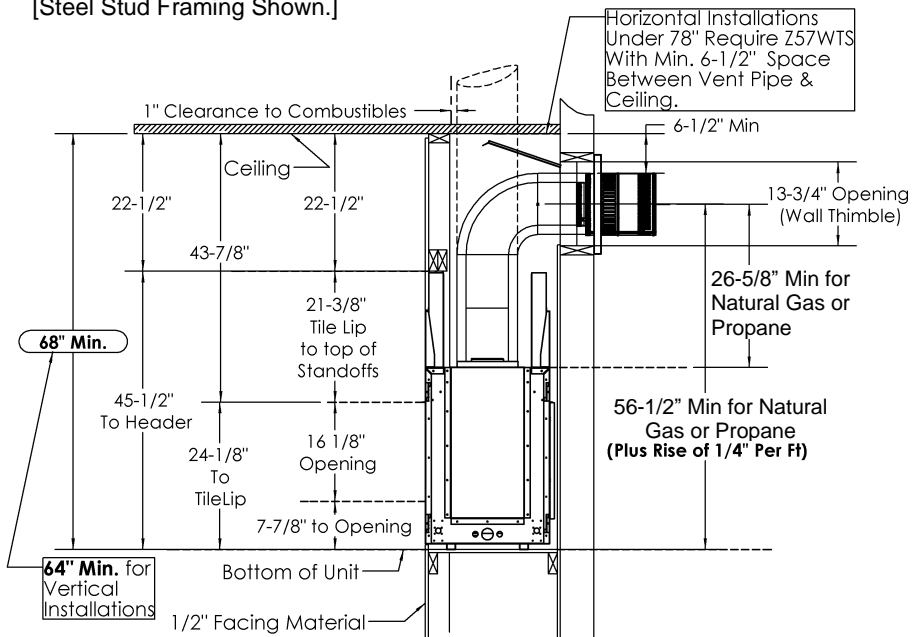
When installing this fireplace against an exterior wall or chase, it is recommended that the outer walls be insulated to conform to applicable insulation codes. Drywall must be installed over vapor barrier and insulation material to prevent direct contact with the appliance.

See Thru or Single Sided Installation
[Steel Stud Framing Shown.]

The minimum vertical installation height must be adhered to.
Flex pipe venting must be fully stretched.



Single Side Installation Only
[Steel Stud Framing Shown.]

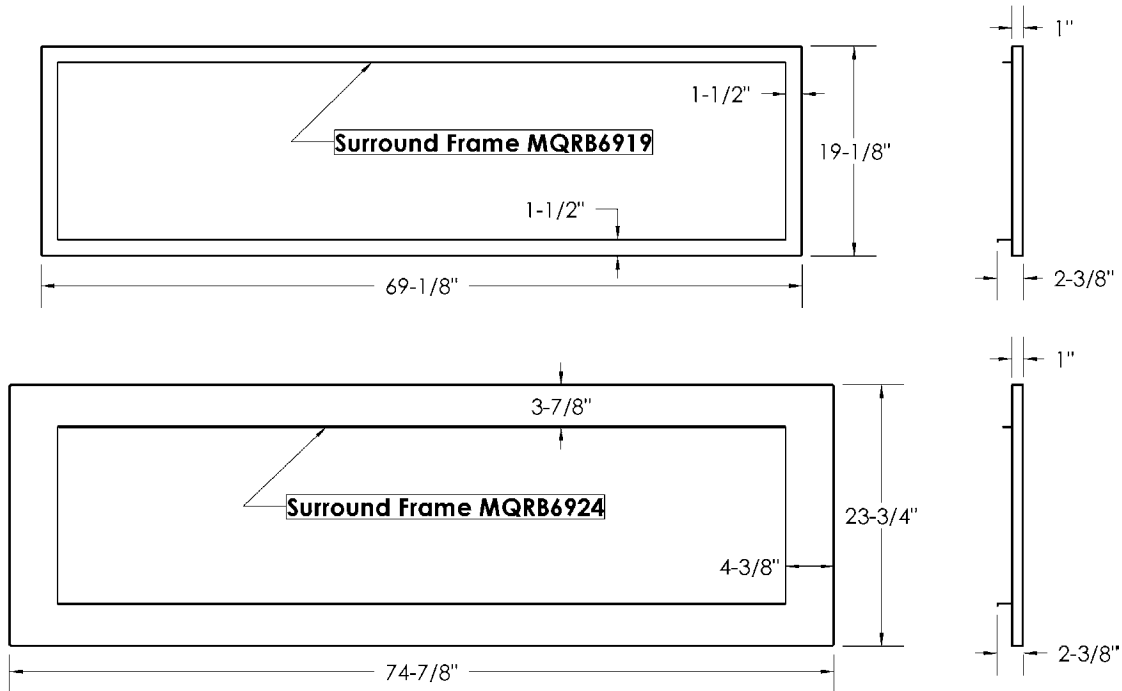


MQRB6961:

The Wall Thimble Shield Z57WTS is required in All Enclosures below 78" [Seventy-Eight Inches].

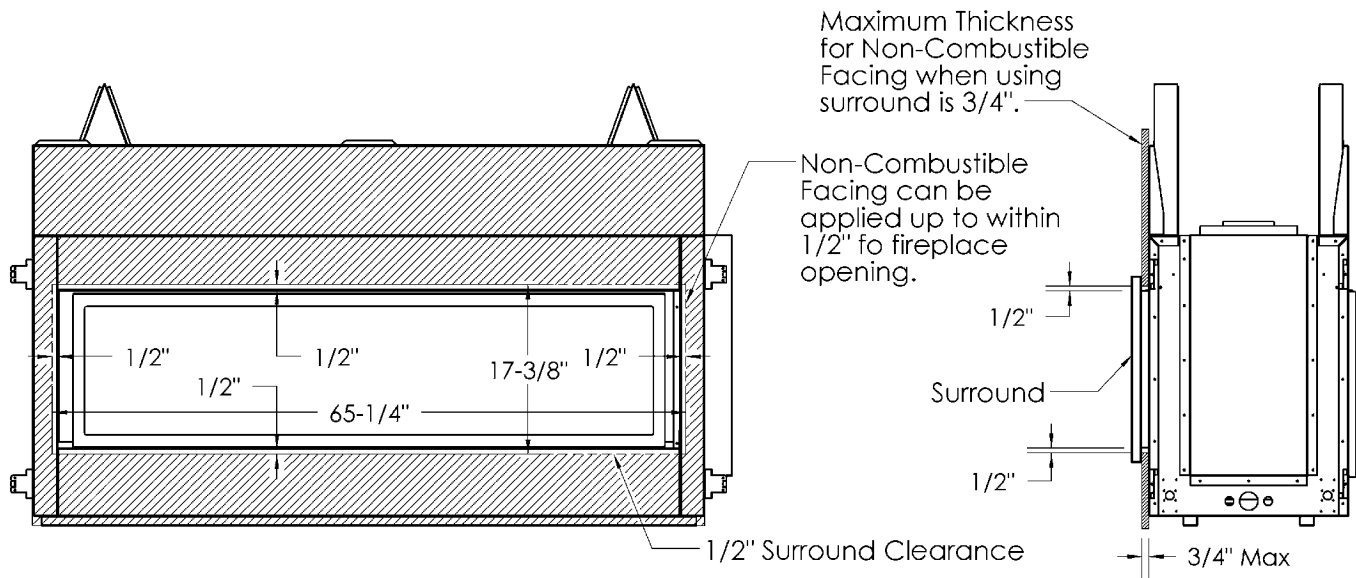
Place Wall Thimble Shield Z57WTS against the Wall Thimble Immediately above the Vent. Install the Wall Thimble Shield using [3] DT Screws.

Surround Dimensions MQRB6961



- The Surround Frames are 1" thick, with a 3/4" space behind the frame.
- When using Surrounds, Maximum Thickness for Non-Combustible Facing Materials is 3/4".
- The Fireplace may be covered up to within 1/2" of the Fireplace Opening with non-combustible materials.

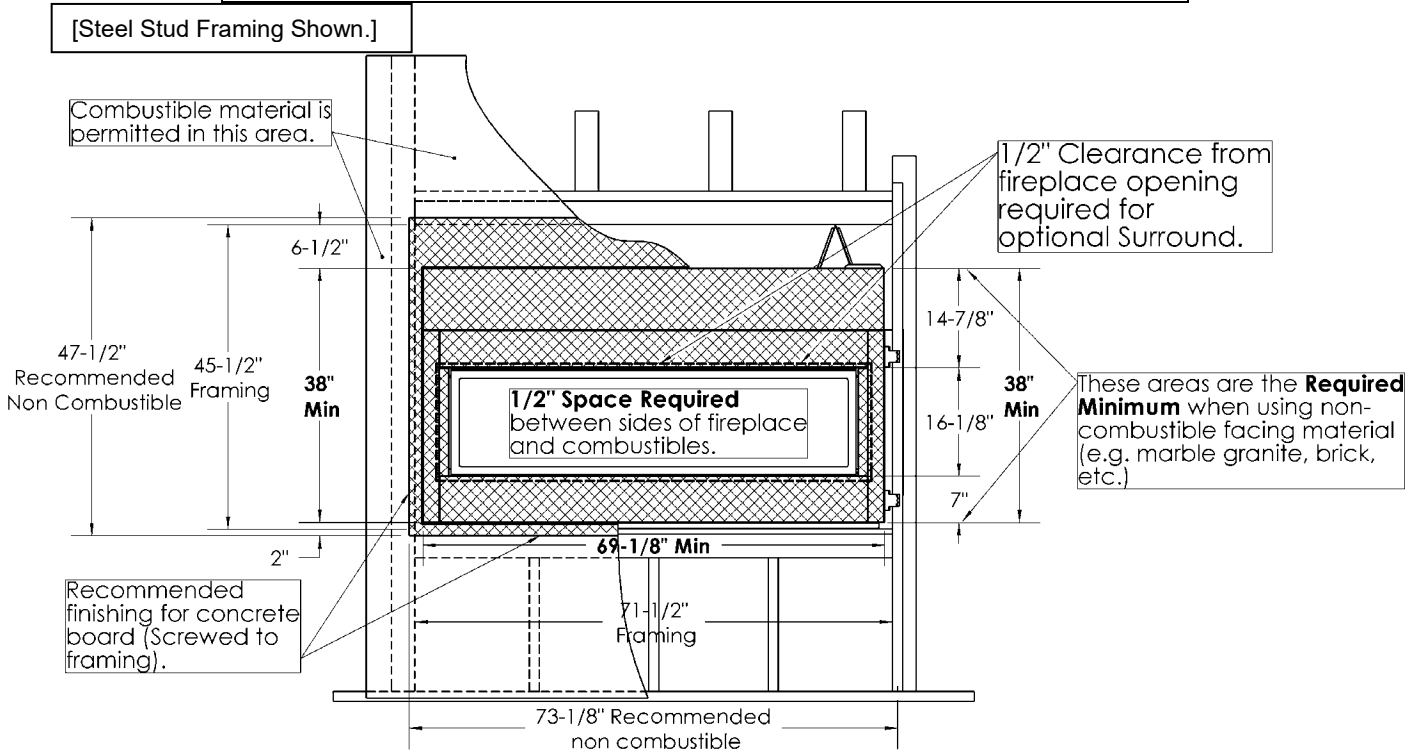
Surround Clearances MQRB6961



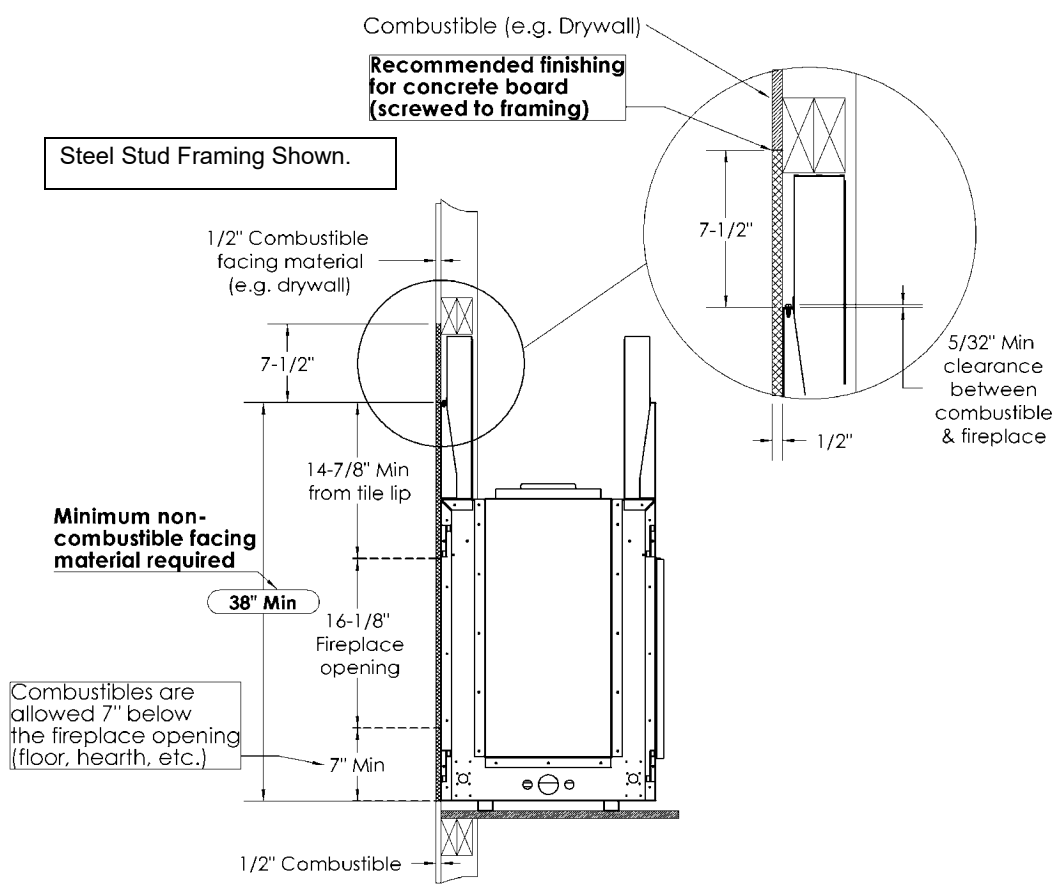
MQRB6961 Facing Material Requirements

These specifications are the same for all Models (6961N, 6961NE, 6961LP, 6961LPE).

Note: If using Optional Surround, MQRB6961 See Surround Clearances Section.



Note: Do not drive excessively long screws into the face of the unit as internal parts may be damaged.



MQRB6961 Mantel Clearances

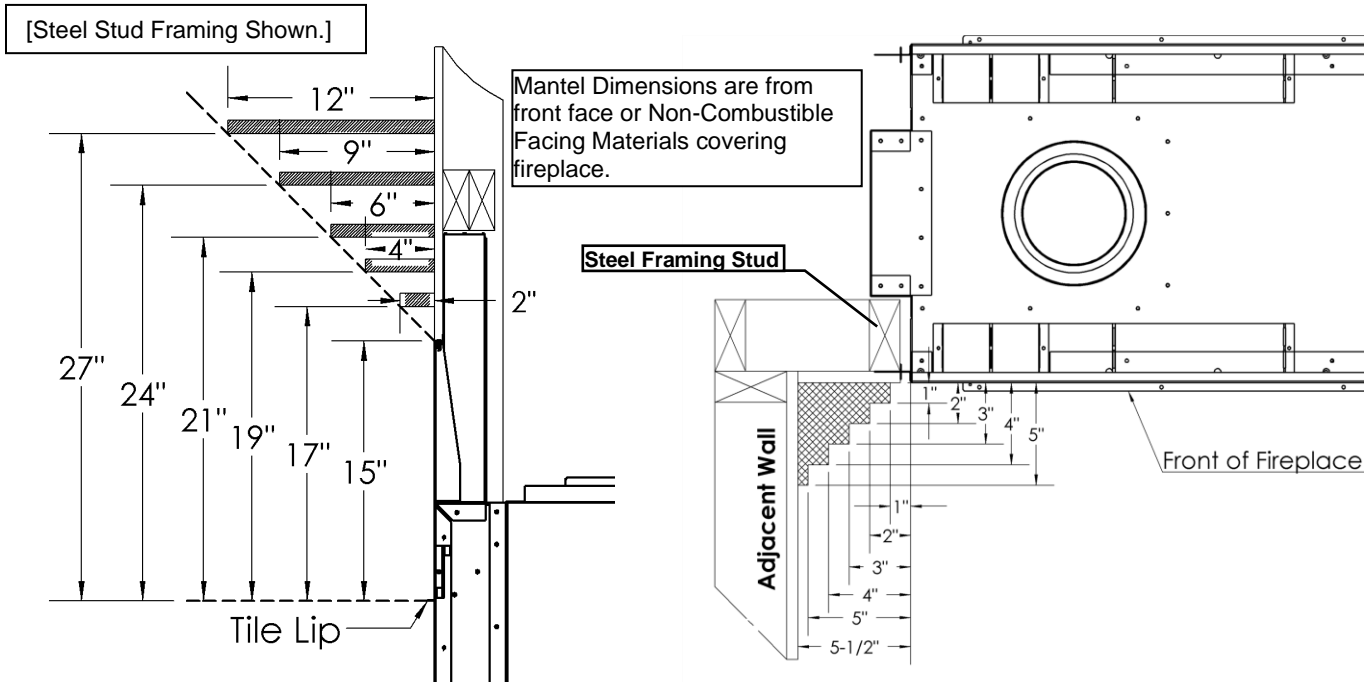
Before installing any mantels, it is important to determine the combustibility of its material(s). There are two types of mantels to consider: Combustible and Non-Combustible.

A **Combustible Mantel** is one that consists of material(s) that may discolor, combust, or lose its integrity in the presence of heat. These types of mantels must strictly conform to the dimensional requirements shown below.

Conversely, a **Non-Combustible Mantel** is one that is constructed with material(s) that will not combust. Check your local codes and regulations to determine whether your mantel is Combustible or Non-Combustible.

The advantage to Non-Combustible Mantels is that it may extend right up to the tile lip of the fireplace. Combustible mantels must adhere to the dimensional restrictions shown below.

⚠️ Combustible Objects on Non-Combustible Mantel Warning-
 Combustible objects must not be placed on a Non-combustible Mantel unless the mantel meets the dimensional requirements for a Combustible Mantel. Refer below to determine whether your mantel conforms to the requirements of a Combustible Mantel.



Clearance to Combustibles	MQRB6961
Front	24" [61cm]
Back Shield Kit to Wall	0" [0cm]
Side (from Stand-offs)	0" [0cm]
Floor*	0" [0cm]
Airbox on Flue Side of Unit	1" [25cm]
Minimum Ceiling Height (from bottom of fireplace)	64" [Vertical Venting] 68" [Horizontal Venting-See MQRB6961 Combustible Enclosure Heights page]
Top (from Stand-offs)	0" [0cm]
Top of 90° Bend under 78" Enclosure	6-1/2" (With Wall Thimble Shield [Z57WTS]) All Vent Systems
Top of 90° Bend over 78" Enclosure	6-1/2" All Vent Systems
Top of Horizontal Pipe	2" All Vent Systems
Side & Bottom of Horizontal Pipe	1" All Vent Systems
Vertical Vent Pipe	1" All Vent Systems
Vertical Vent Pipe	1" DuraVent-DirectVent Pro / AmeriVent / Selkirk Direct Temp Systems
<p>⚠️ NOTE: Kingsman Flex venting <u>MUST</u> be used on the MQRB6961. Use of Duravent- DirectVent Pro or other hard pipe venting systems is not permitted unless a power vent is used.</p>	

***Note:** If appliance is installed directly on carpeting or other combustible material other than wood flooring, a metal or wood panel extending the full width and depth of the appliance must be used. Carpet may extend 1 inch above the floor of the appliance.

MQRB44BK / MQRB51BK / MQRB69BK Back Shield Kit –Single View

*This Kit must be opened before unit is installed into Framing (See “Single Sided Framing” pages of this Manual).

⚠ Warning: Failure to position the parts in accordance with these diagrams or failure to use only parts specifically approved with this appliance may result in property damage or personal injury.

Contents of Kit:

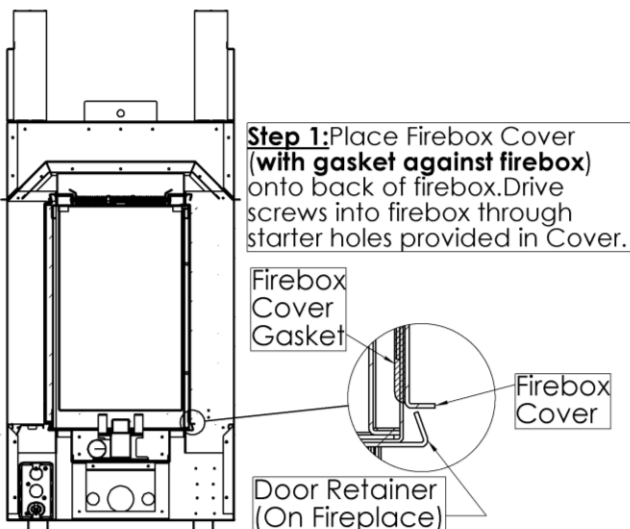
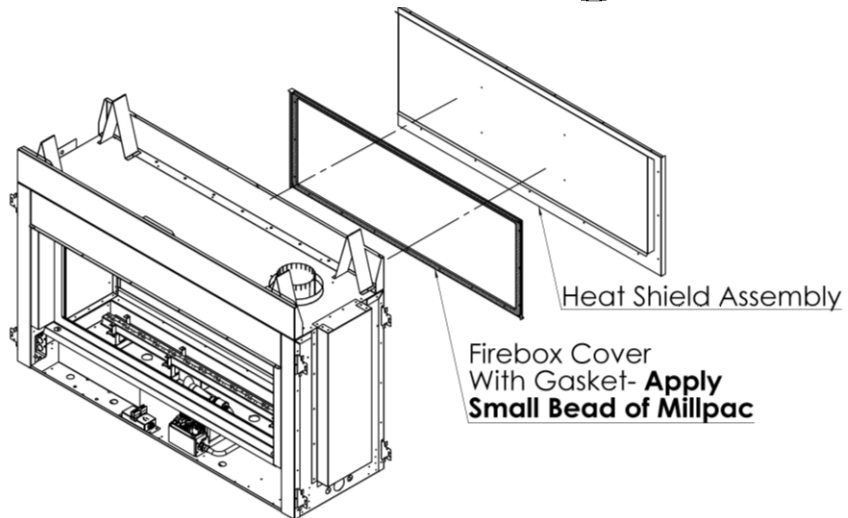
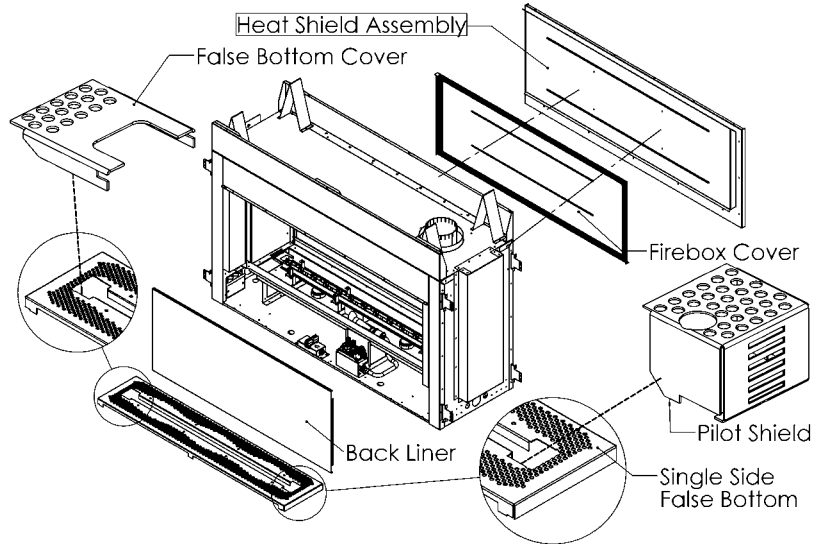
- Firebox Cover
- Heat Shield Assembly
- Back Liner
- False Bottom c/w Pilot Shield & False Bottom Cover
- 90ml Tube Millpac
- (Qty)45- DT Screws

Heat Shield & Firebox Cover

Before placing fireplace into framed opening, you must install the **Firebox Cover** and the **Heat Shield Assembly** onto the back of the unit. The remaining parts of this kit can be installed after the fireplace is installed into the framed opening.

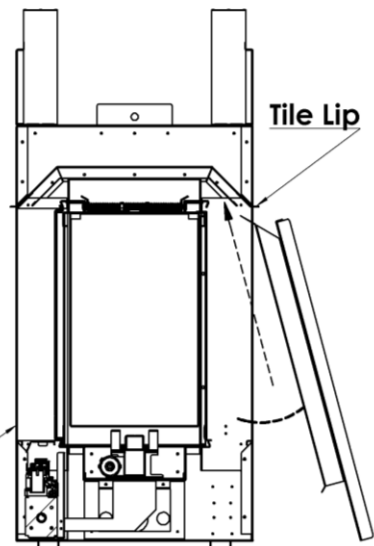
Do Not Overtighten or Strip Screws!

Apply a small bead of Millpac to Firebox Cover Gasket before Installation.



Step 2: Push Heat Shield Assembly up into cavity above firebox and line up holes under Tile Lip. Screw into place through holes provided.

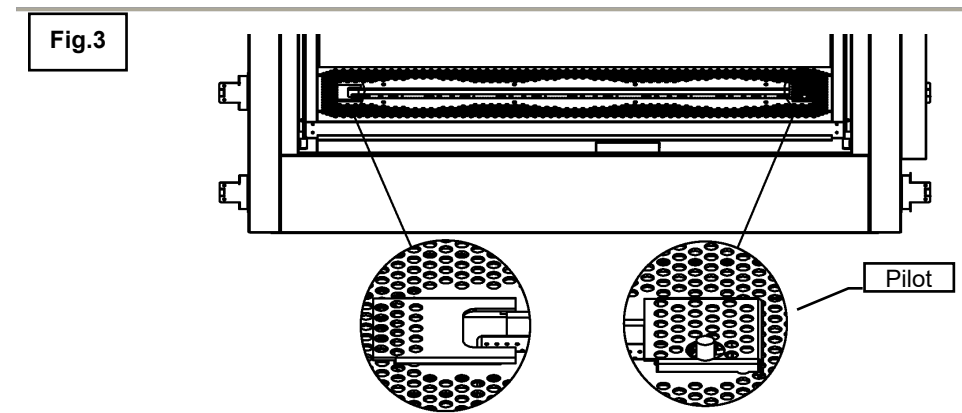
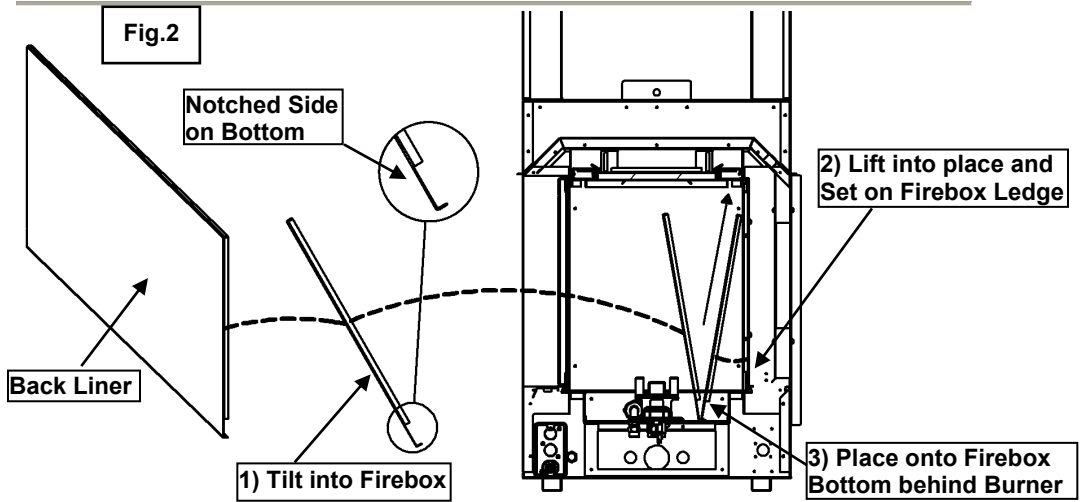
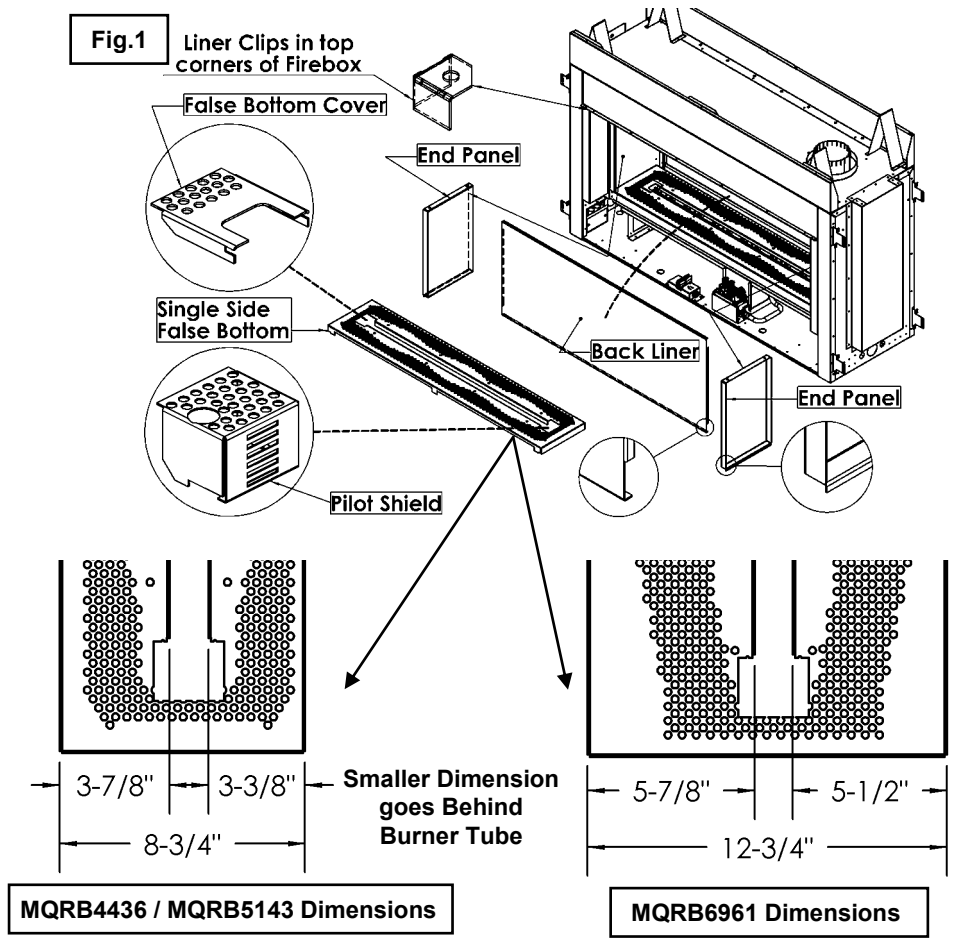
Front of Fireplace



(Continued...)

Back Liner, False Bottom, and End Panel Installation:

1. Remove Liner Clips from the inside of the Firebox (Fig.1).
2. Place the Back Liner onto the firebox bottom with bends facing the rear firebox cover. Lift into place and set down on firebox ledge (See Fig.2).
3. Next install the False Bottom with larger Dimension to Front Glass Opening (Fig.1), and secure it using DT screws into the mounting tabs on the Burner Tube. Insert Pilot Shield and False Bottom Cover into False Bottom.
4. Place End Panels on top of the False Bottom and tilt into place at either end of the Firebox. Replace the Liner Clips (Fig.1).
5. Place the bottom of the door into the door retainer slot, and then secure the door with the top latches (See Door and Glass page in manual if more information is required).
6. To locate Valve Access Cover, engage the tabs into the slots in the Access Panel Brackets on the Fireplace.



⚠ Note: Warping and Discoloration of Porcelain or Painted Metal Liners Is Not Covered Under Warranty.

Both Porcelain and Painted Metal Liners may discolor and warp during normal operation of your appliance. This is normal, and not considered a defect.

MQRB4436 / MQRB5143 / MQRB6961 Liner & False Bottom Installation

BK LINER INSTALLATION

MQRB4436PLB, MQRB5143PLB, or MQRB6961PLB-[1ea.] Porcelain Back Liner Panel

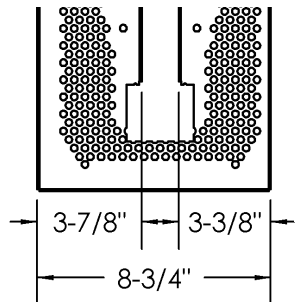
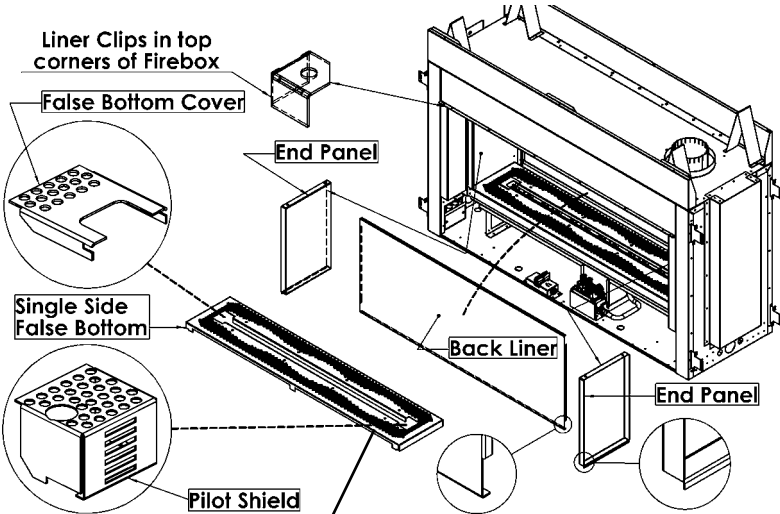
MQRB4436 (uses 5143PLE), MQRB5143PLE, or MQRB6961PLE-[2ea.] Porcelain End Panels

⚠ Warning: Failure to position the parts in accordance with these diagrams or failure to use only parts specifically approved with this appliance may result in property damage or personal injury.

Back Liner, End Panel, and
False Bottom Installation:

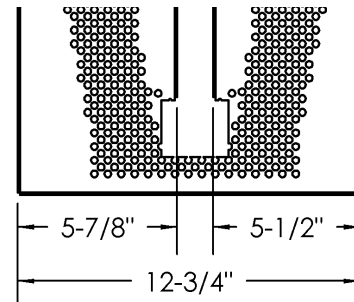
Fig.1

1. Remove Liner Clips from the inside of the Firebox (**Fig.1**).
2. Place the Back Liner onto the firebox bottom with bends facing the rear firebox cover. Lift into place and set down on firebox ledge (See **Fig.2**).
3. Next install the False Bottom with larger Dimension to Front Glass Opening (**Fig.1**), and secure it using DT screws into the mounting tabs on the Burner Tube. Insert Pilot Shield and False Bottom Cover into False Bottom.
4. Place End Panels on top of the False Bottom and tilt into place at either end of the Firebox. Replace the Liner Clips (**Fig.1**).



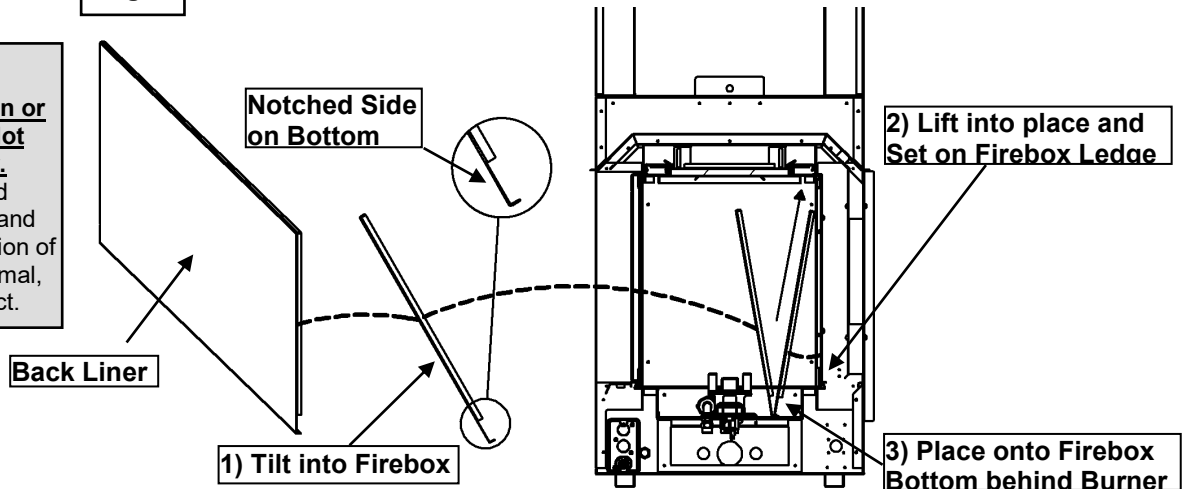
**MQRB4436/ MQRB5143
Dimensions**

**Smaller
Dimension goes
Behind
Burner
Tube**



MQRB6961 Dimensions

Fig.2



⚠ Note: Warping and Discoloration of Porcelain or Painted Metal Liners Is Not Covered Under Warranty. Both Porcelain and Painted Metal Liners may discolor and warp during normal operation of your appliance. This is normal, and not considered a defect.

MQRB44SK / MQRB51SK / MQRB69SK (See Thru Kit) Installation

This basic Kit is required for See Thru installations.

Note: To cover the Side Fillers with non-combustible materials, they must be installed before Facing materials are applied.

⚠ Warning: Failure to position the parts in accordance with these diagrams or failure to use only parts specifically approved with this appliance may result in property damage or personal injury.

Components:

[2ea.] Side Fillers

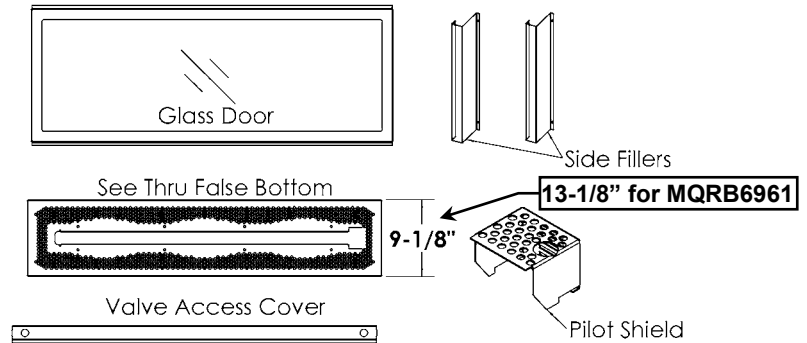
Valve Access Cover

Glass Door c/w Glass

See Thru False Bottom c/w Pilot Shield

[4ea.] #6 Black Screws

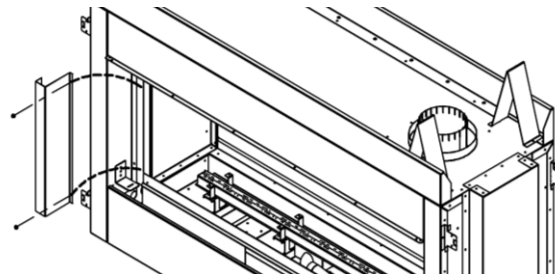
[8ea.] 1/4" DT Screws



Installation Procedure:

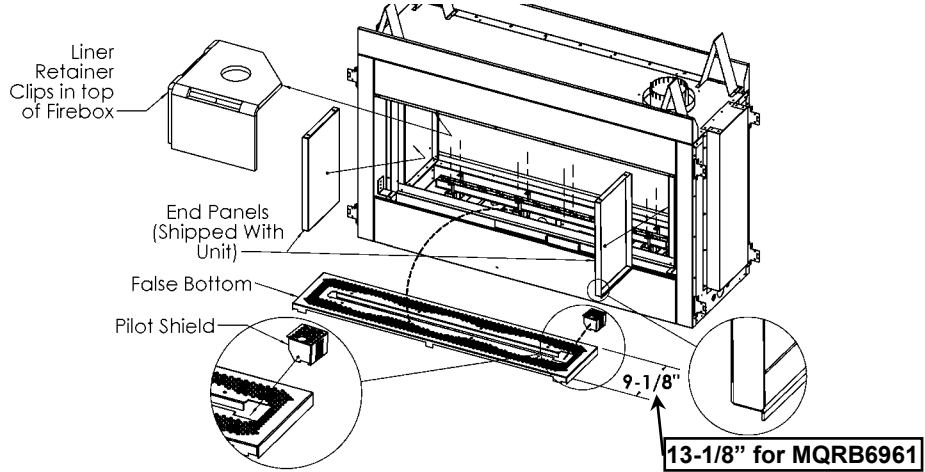
1. Side Fillers

Place Side Filler onto Side of Fireplace opening. Attach with [2] #6 Screws provided. Repeat for the other side.



2. False Bottom

Insert False Bottom into Fireplace. Fasten the False Bottom to the Burner Assembly using the DT Screws provided. Insert Pilot Shield into False Bottom.



3. End Panels

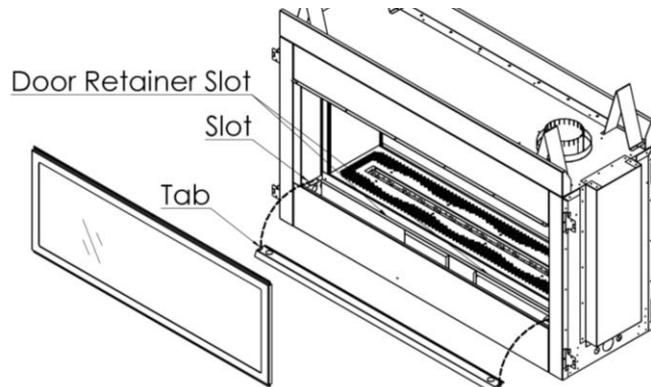
Remove the Liner Retainer Clips in the Firebox Top. Place End Panels into Firebox on top of the False Bottom and tilt into place at either end of the Firebox. Replace the Liner Retainer Clips.

4. Door

Place the bottom of the door into the door retainer slot, and then secure the door with the top latches (See Door and Glass Information in manual if more information is required).

5. Valve Access Cover

To locate Valve Access Cover, engage the tabs into the slots in the Access Panel Brackets on the Fireplace.



⚠ Note: Warping and Discoloration of Porcelain or Painted Metal Liners Is Not Covered Under Warranty. Both Porcelain and Painted Metal Liners may discolor and warp during normal operation of your appliance. This is normal, and not considered a defect.

MQRB4436 / MQRB5143 / MQRB6961 Liner & False Bottom Installation

SK LINER INSTALLATION

MQRB4436 (Uses 5143PLE), **MQRB5143PLE** or **MQRB6961PLE**-[2ea.] Porcelain End Panels

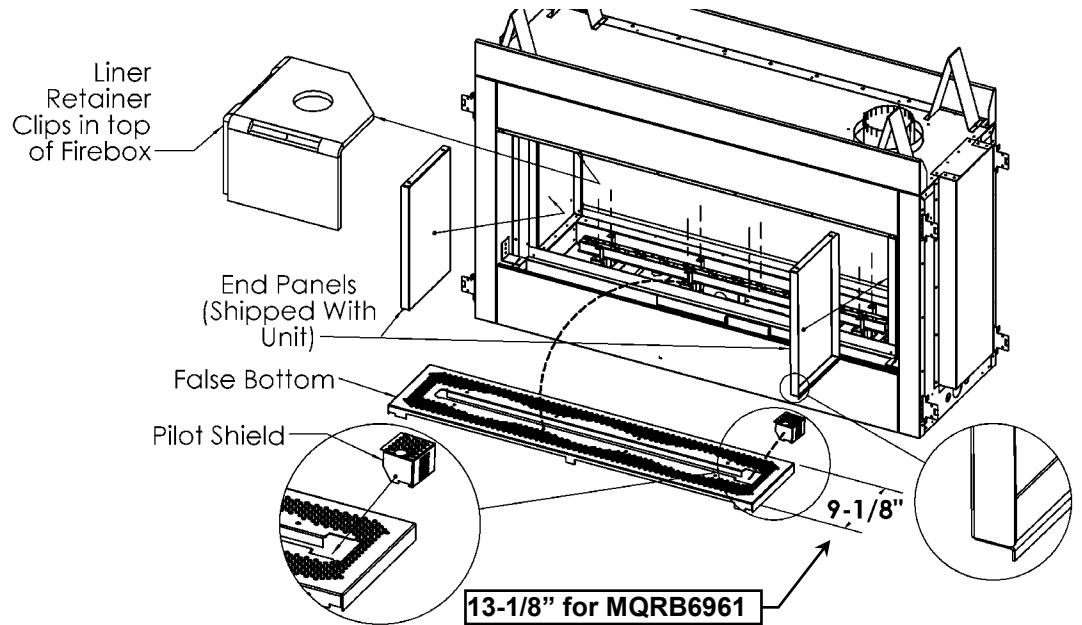
False Bottom & End Panel
Installation:

1. False Bottom

Insert False Bottom into Fireplace. Fasten the False Bottom to the Burner Assembly with [6] DT Screws provided. Insert Pilot Shield into False Bottom.

2. End Panels

Remove the Liner Retainer Clips in the Firebox Top. Place End Panels on top of the False Bottom and tilt into place at either end of the Firebox. Replace the Liner Retainer Clips.



⚠ Note: Warping and Discoloration of Porcelain or Painted Metal Liners Is Not Covered Under Warranty.

Both Porcelain and Painted Metal Liners may discolor and warp during normal operation of your appliance. This is normal, and not considered a defect.

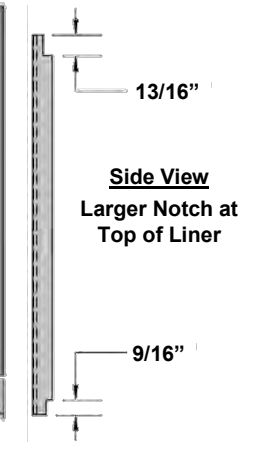
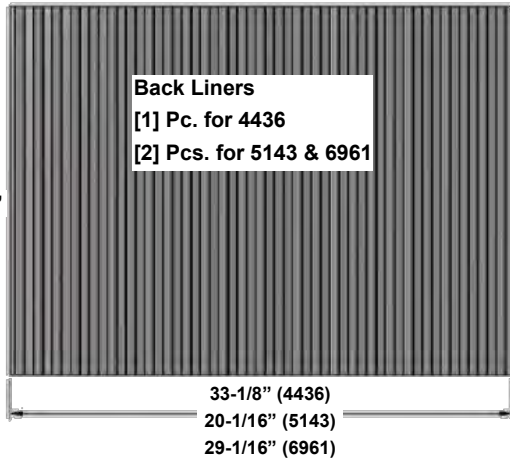
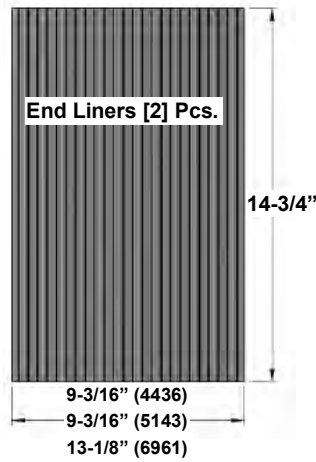
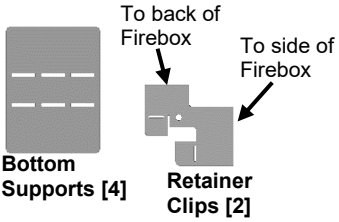
⚠ Warning: Failure to position the parts in accordance with these diagrams or failure to use only parts specifically approved with this appliance may result in property damage or personal injury.

MQRB44RLF / MQRB51RLF / MQRB69RLF

Fluted Liners

Parts List:

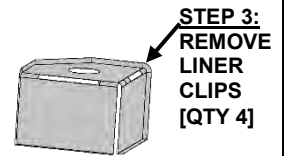
- [Qty 2] End Liners
- [Qty 2] Back Liners*
- *(Qty 1 for 4436)
- [Qty 2] Retainer Clips
- [Qty 4] Bottom Supports
- Instruction Sheet



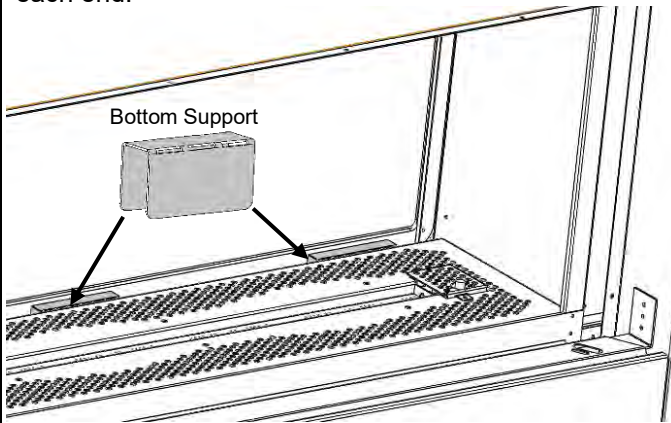
Step 1: Install Firebox Cover and Heat Shield Assembly supplied with MQRB44BK / MQRB51BK / MQRB69BK Back Shield Kit, but **DO NOT INSTALL METAL BACK LINER SUPPLIED WITH BK KIT.**

Step 2: Install False Bottom supplied with MQRB44BK / MQRB51BK / MQRB69BK Back Shield Kit.

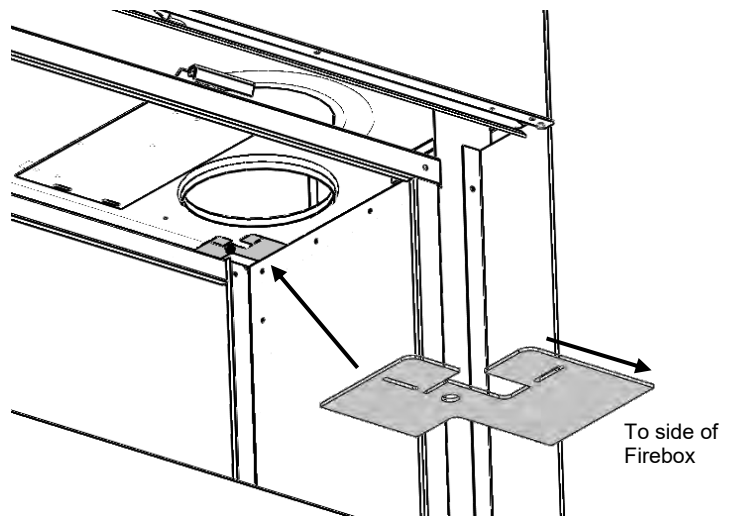
Step 3: Remove [4] **Liner Clips** from top corners of firebox. Keep all screws and [2] Liner Clips as they will be re-used.



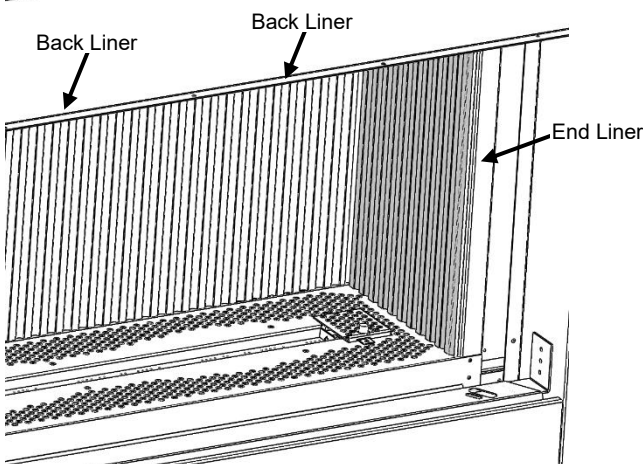
Step 4: Bend [4] **Bottom Supports** into shape. Insert into space behind False Bottom at the center and at each end.



Step 5: Install Retainer Clips from Fluted Liners into upper back corners of firebox.



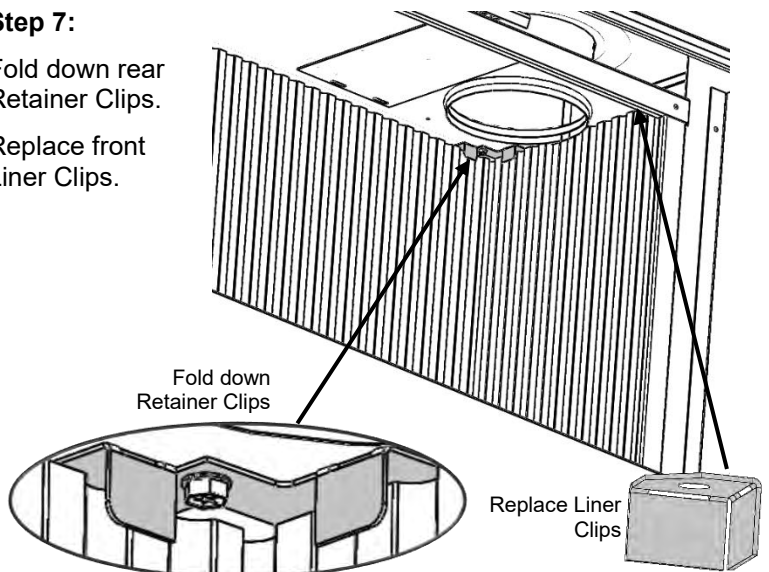
Step 6: Insert **End Liners** into place first. Then place **Back Liners** into fireplace on top of Bottom Supports.



Step 7:

Fold down rear Retainer Clips.

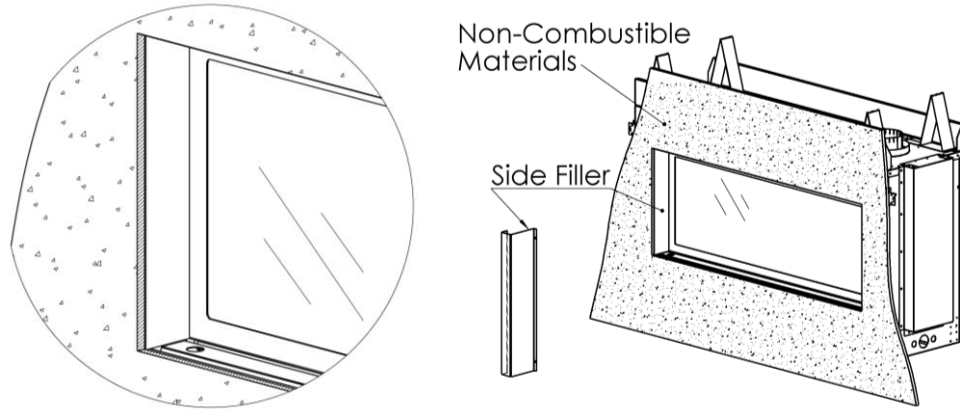
Replace front Liner Clips.



MQRB4436, MQRB5143 & MQRB6961 Finishing Options

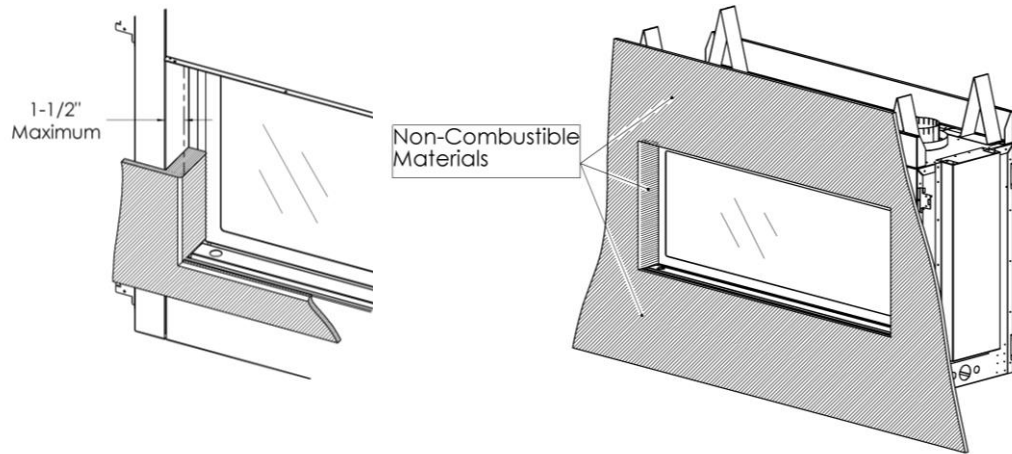
Using Side Fillers

The Side Fillers are located at each side of the door. They are provided to give a continuous surface up to the opening of the fireplace door.



Using Other Non-Combustible Materials as Side Fillers (Brick, Tile, Marble, etc.)

Non-Combustible facing materials, such as brick or tile may be used in place of the Side Fillers- so long as the **total** amount of material applied is not thicker than 1-1/2" on the inside of the fireplace opening. This will allow for removal of the Glass Door & Access Panel.

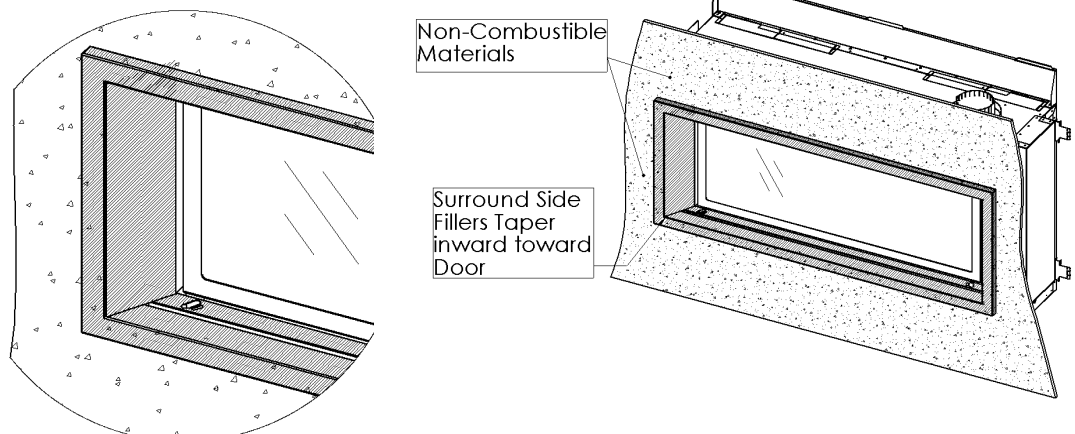


Using the Optional Surrounds

The Surround Frames are 1-1/2" & 4" wide and 1" thick, with a 3/4" space behind the frame.

The Fireplace may be covered up to within 1/2" of the opening with non-combustible materials up to 3/4" thick.

The Surround Side Fillers taper in toward the door opening. The Surround Access Panel is tapered to match the angle of the Side Fillers.



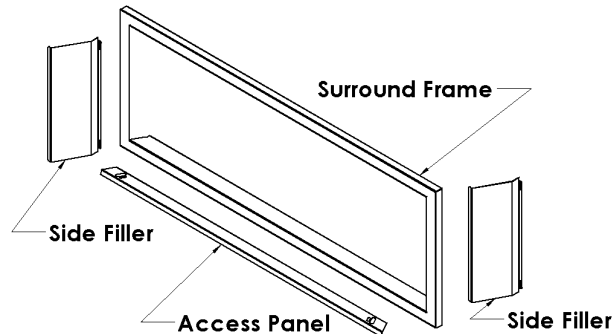
MQRB4436 / MQRB5143 / MQRB6961 Surround Installation

Surround Kits are available in 3 different finishes:

MQRB4436		MQRB5143		MQRB6961		
Small [1-1/2"]	Large [4"]	Small [1-1/2"]	Large [4"]	Small [1-1/2"]	Large [4"]	
MQRB4419SBL	MQRB4424SBL	MQRB5019SBL	MQRB5624SBL	MQRB6919SBL	MQRB6924SBL	-Black
MQRB4419SSS	MQRB4424SSS	MQRB5019SSS	MQRB5624SSS	MQRB6919SSS	MQRB6924SSS	-Stainless Steel
MQRB4419SPW	MQRB4424SPW	MQRB5019SPW	MQRB5624SPW	MQRB6919SPW	MQRB6924SPW	-Pewter

Each kit contains:

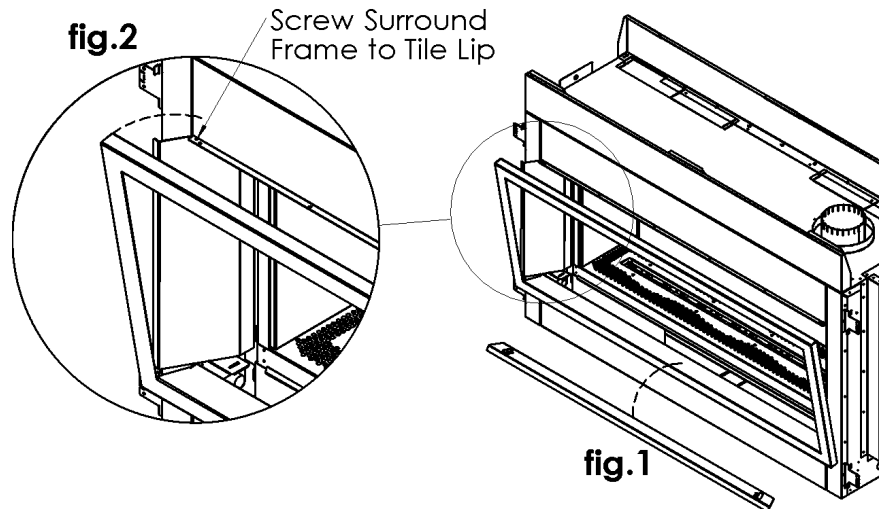
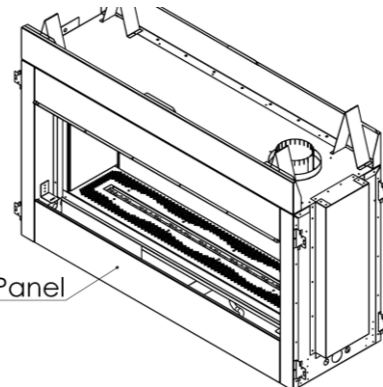
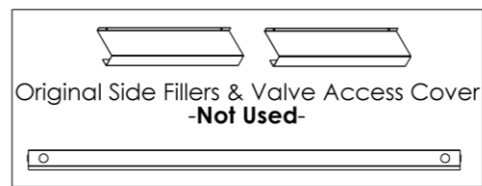
- (Qty-1) Surround Frame
- (Qty-2) Surround Side Fillers
- (Qty-1) Surround Access Cover
- (Qty-8) #6 Self Tapping Screws



The Surround Frames are 1" thick, with a 3/4" space behind the frame. The Fireplace may be covered up to within 1/2" of the opening with non-combustible materials.

Surround Installation:

1. **Note:** Original Side Fillers & Valve Access Cover will not be used.
2. The Lower Front Face Panel must be installed on the fireplace before surround can be installed.
3. Remove Glass Door from fireplace.
4. Hook lower ledge of Surround Frame onto the Lower Front Face Panel of the fireplace. With top of Frame tilted outward, slide Side Fillers behind Surround Frame.
5. Push Surround Frame into place and install using the existing screw holes in the tile lip. Front Edge of the Side Filler must rest between Surround Frame and Fireplace [see fig.2].
6. Fasten the Side Fillers to the fireplace using the two [2] existing holes on either side of the firebox opening.
7. Replace the Glass Door and put the new Valve Access Cover into place with angled ends to match Side Fillers.

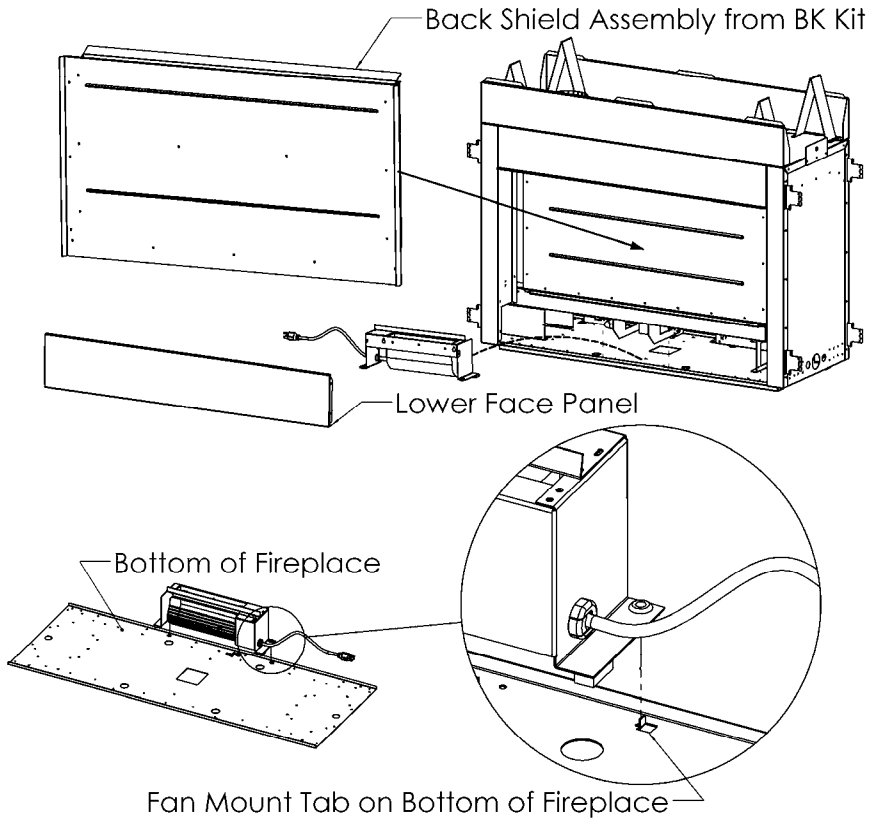


⚠ NOTES: Cotton gloves **must** be worn to protect the finish during installation and handling. All hand and finger marks **must** be cleaned off with a soft cloth and light detergent prior to applying heat to the unit. Stainless panels may discolor a little during normal operation. This is normal and should not be considered a defect.

Fan Installation MQRB4436 / MQRB5143 / MQRB6961

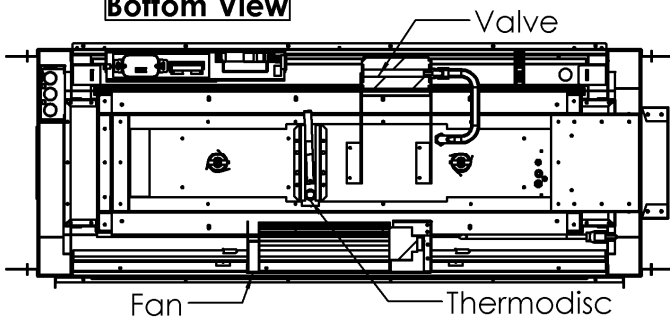
FAN KIT IS FOR USE IN BK (SINGLE SIDED) INSTALLATIONS ONLY

Fan Kit should be installed before the fireplace is placed into wall cavity. To **remove** fan for service, the burner pan must be removed and work done through the opening (See **Burner System Removal** section).



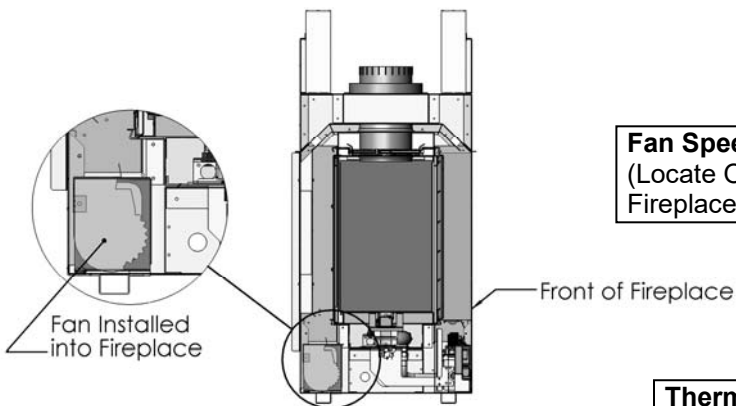
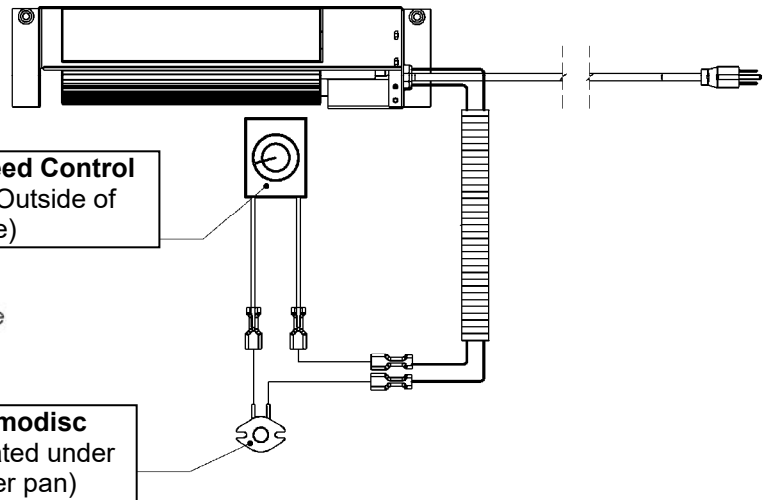
NOTE: If Fan Mount Tabs are not present, place fan as shown and mount with screws. Thermodisc must be mounted under burner pan. If no place is provided, mount with a screw from the valve bracket.

Bottom View



⚠NOTE: Do not allow any power cords or wires to come into contact with the firebox or the underside of the burner pan.

Z36FK Wiring Diagram



Fan Speed Control Outside of Fireplace

If you plan to locate the variable speed control switch for the fan outside of the fireplace and you require a constant source of AC power inside the unit for another accessory such as lights or an IPI valve system, follow one of the procedures below.

⚠ WARNING

A qualified electrician must connect electrical wiring to junction outlet for built-in installation.

Follow all codes.

⚠ WARNING

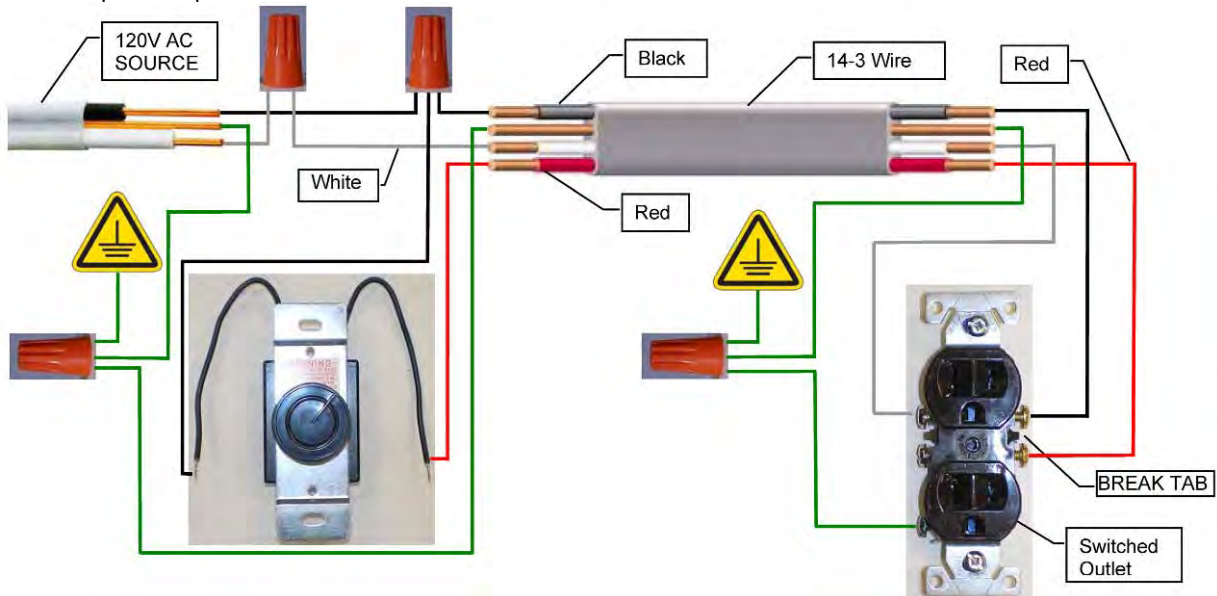
Electrical Grounding Instructions –
This appliance is equipped with a three – pronged (grounding) plug for your protection against shock hazard and should be plugged directly into a properly grounded three-prong receptacle.

⚠ WARNING

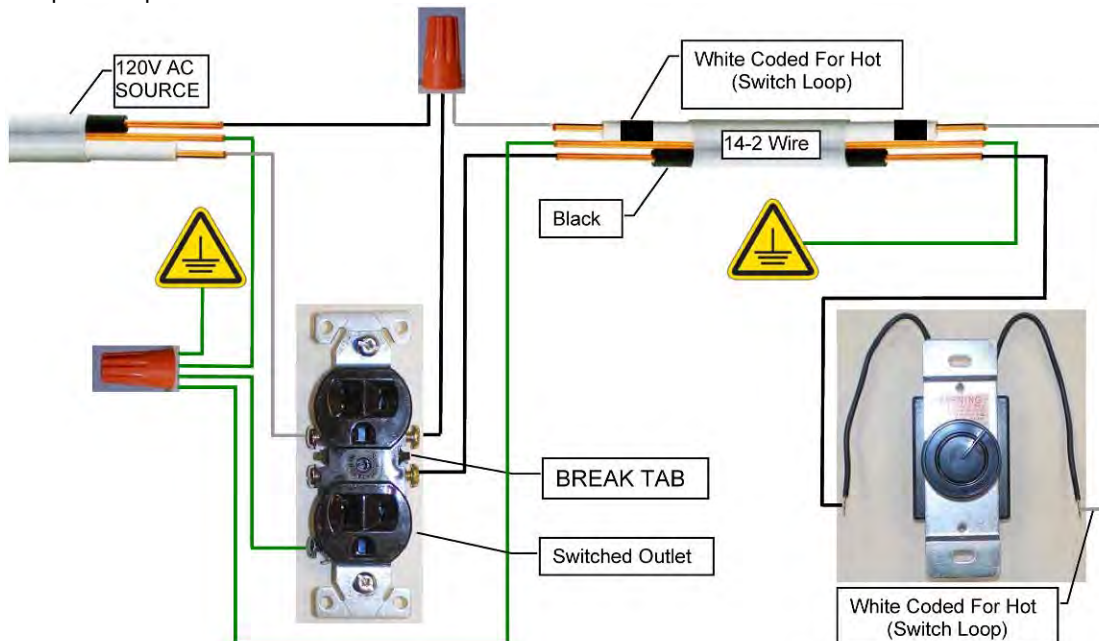
Label all wires prior to disconnection when servicing controls. Wiring errors can cause improper and dangerous operation. Verify proper operation and servicing.

⚠ Caution: Electrical installation to be done by a qualified installer. All wires must be connected and grounded in accordance with CSA Standard C22.1- Canadian Electrical Code part 1 or with the National Electrical Code, ANSI /NFPA 70 (latest edition) and /or in accordance with local codes.

Switch Controlled Split Receptacle With Switch At START Of Cable Run



Switch Controlled Split Receptacle With Switch At END Of Cable Run



For best flame pattern it is essential to spread Crushed Glass or MQEMBER directly onto burner tube.
Ensure the glass embers do not excessively overlap as this will affect the flame pattern.

Part Number	Description
MQG5W	Decorative Ember Glass - White - 5 lbs
MQG5A	Decorative Ember Glass – Azuria Blue - 5 lbs
MQG5C	Decorative Ember Glass - Copper - 5 lbs
MQEMBER	Glowing Ember Chunks



MQRB4436 / MQRB5143: (MQG5W) 5 lbs of ½” White Ember Glass is supplied with every unit.

MQRB6961: (MQG10W) 10 lbs of ½” White Ember Glass is supplied with every unit.

⚠ WARNING

- Pilot Shield and Pilot Area Must **Not** Be Covered, as delayed ignition can occur.
- Do not change or substitute the glass ember material provided with this fireplace. If replacing, use only replacement glass embers or MQEMBER available from your local authorized dealer.



Pilot Area Must Not Be Covered

*Pilot Shield should be visually inspected monthly for signs of deterioration due to flame exposure. Replace if necessary.

Use care when placing glass embers near the pilot area so as not block or have the glass fall over the crossover holes from the pilot to the burner, as delayed ignition can occur.

The following types of glass are approved (Use of any other type other than listed below can alter the performance of the unit and is not covered under warranty.):

Note: Use only 1/2” glass material on the burner.

• ½” Ember Glass Material from American Fireglass.

Maximum amount for **MQRB4436:** Natural Gas is 5 lbs, Propane units 5 lbs.

Maximum amount for **MQRB5143:** Natural Gas is 10 lbs, Propane units 5 lbs.

Maximum amount for **MQRB6961:** Natural Gas is 15 lbs, Propane units 10 lbs.

• Liquid Glass from Firegear.

Maximum amount for **MQRB4436:** Natural gas is 5 lbs, not recommended for Propane appliances.

Maximum amount for **MQRB5143:** Natural gas is 10 lbs, not recommended for Propane appliances.

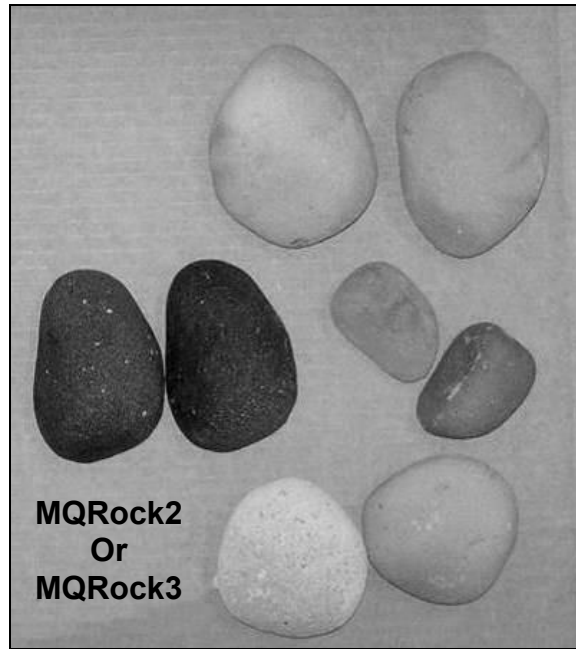
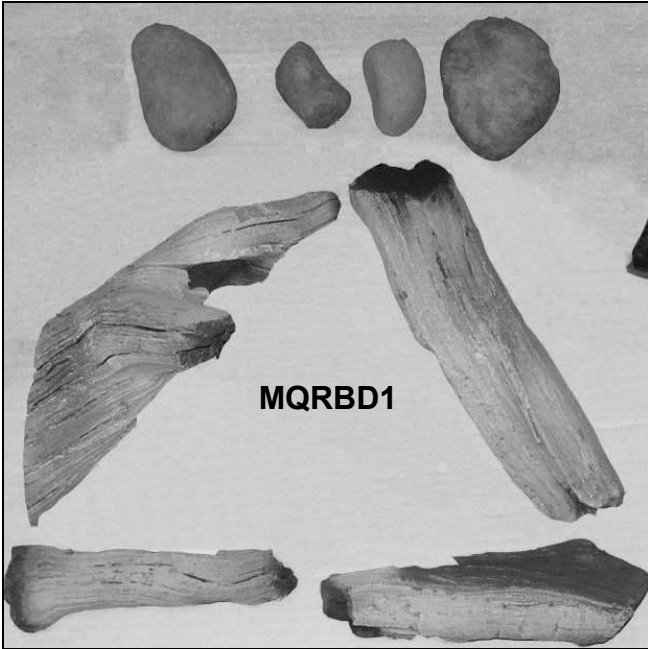
Maximum amount for **MQRB6961:** Natural gas is 15 lbs, not recommended for Propane appliances.

Discoloration of glass media may occur if placed on the burner, this is not covered under warranty.

Optional Driftwood & Rock Installation

NOTE: Only Crushed Glass or MQ Embers can be placed directly on Burner Tube.

Model	Part Number	Description
MQRB4436, MQRB5143, MQRB6961	MQRBD1	Drift Wood (x4) and Rocks (x4)
MQRB5143, MQRB6961	MQRBD2	Large 3pc Driftwood Set
MQRB4436, MQRB5143, MQRB6961	MQRock2	30pc Rock Set- Contemporary Collection- Natural
MQRB4436, MQRB5143, MQRB6961	MQRock3	30pc Rock Set- Contemporary Collection- Multi-Colored
MQRB4436, MQRB5143, MQRB6961	MQ Stone	Decorative Stones
MQRB4436, MQRB5143, MQRB6961	MQ46D	Driftwood Log Set, 3pcs. (Single Sided Units Only)
MQRB4436, MQRB5143, MQRB6961	RBCB1	Cannonballs - Assorted size and colors
MQRB4436, MQRB5143, MQRB6961	MQEMBER	Glowing Ember Chunks



MQRBD1 or MQRBD2 Driftwood and Rock Kit-
Place rocks and logs onto False Bottom randomly.

MQ Rock2 or 3- 30pc Rock Set-
Place rocks onto False Bottom randomly.

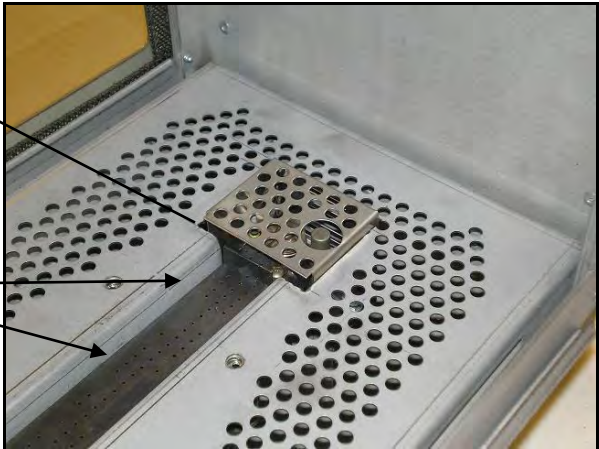
MQ Stone Decorative Stone Set-
Place Stones onto False Bottom randomly.
Do Not stack or overlay.
Not all stones will be used on MQRB4436/5143 models.

⚠️ NOTE

- Pilot Area Must Not Be Covered, as delayed ignition can occur.
- Do Not Cover any part of the burner tube with logs or rocks as sooting may occur.
- For best flame pattern it is essential to spread supplied 1/2" Crushed Glass or MQEMBER chunks directly onto burner tube.

*Pilot Shield should be visually inspected monthly for signs of deterioration due to flame exposure. Replace if necessary.

Do Not Cover any part of the burner tube with logs or rocks as sooting may occur.



• **MQ46D Driftwood Log Set- 3pcs. (Single Sided Units Only)**



- Place **Log 1** on left side of fireplace against the back wall of the firebox.
- Place **Log 2** on the right side of fireplace against the back wall of the firebox and onto Log 1 as shown.
- Place **Log 3** in front of the burner in the center of fireplace as shown.

Can be used with MQ Glass, MQ Rock, MQ Stone or MQ Ember. Follow instructions for these accessories.

⚠ NOTE

- Pilot Area Must Not Be Covered, as delayed ignition can occur.
- Be Careful Not To Cover Any Part Of The Burner Tube As Cannonballs may become discolored or sooting may occur.
- For best flame pattern it is essential to spread supplied Crushed Glass or MQEMBER directly onto burner tube.

• **RBCB1 Cannonballs - Assorted size and colors**

Place randomly as desired inside fireplace (See NOTE above).



Can be used with MQ Glass, MQ Rock, MQ Stone or MQ Ember. Follow instructions for these accessories.

MQRBD3

-5 Piece Driftwood Log Set-

Can be used with MQ Glass, MQ Rock, MQ Stone or MQ Ember. Follow instructions for these accessories.



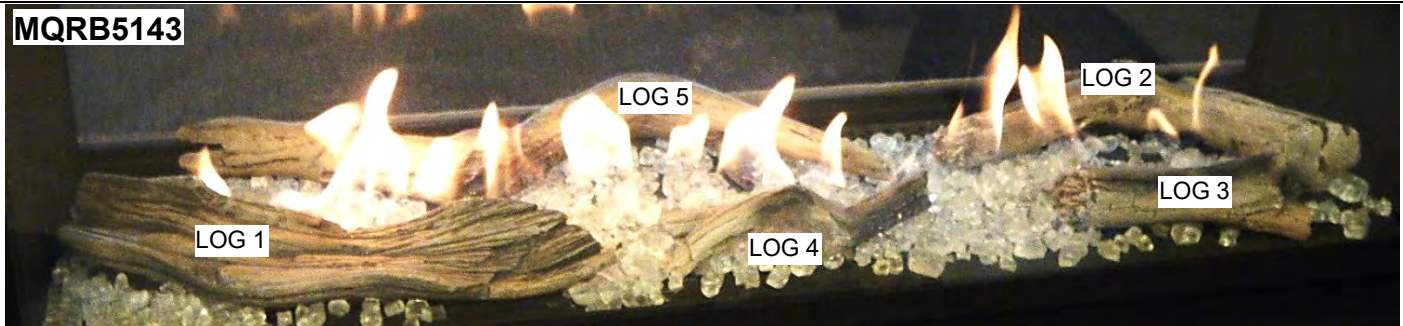
⚠ NOTE

- For best flame pattern it is essential to spread supplied Crushed Glass or MQEMBER directly onto burner tube.
- If sooting occurs, one or more logs may be removed.

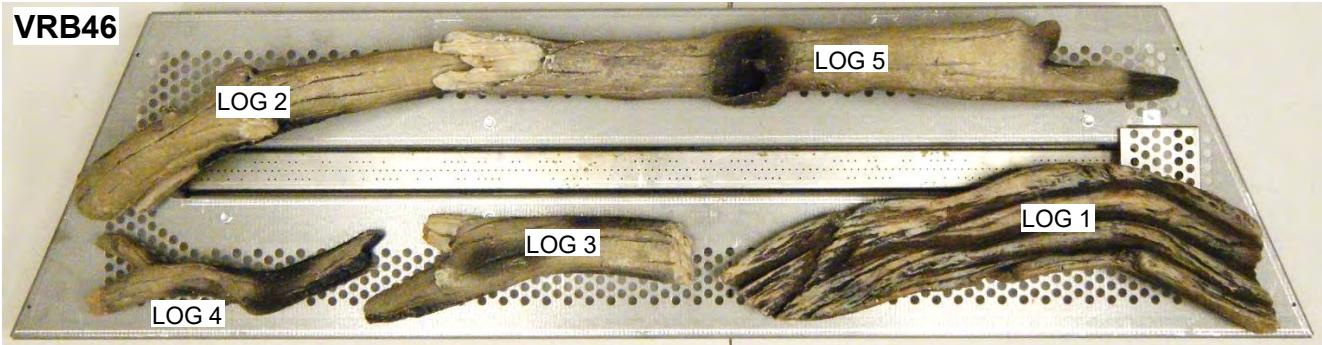
MQRB5143



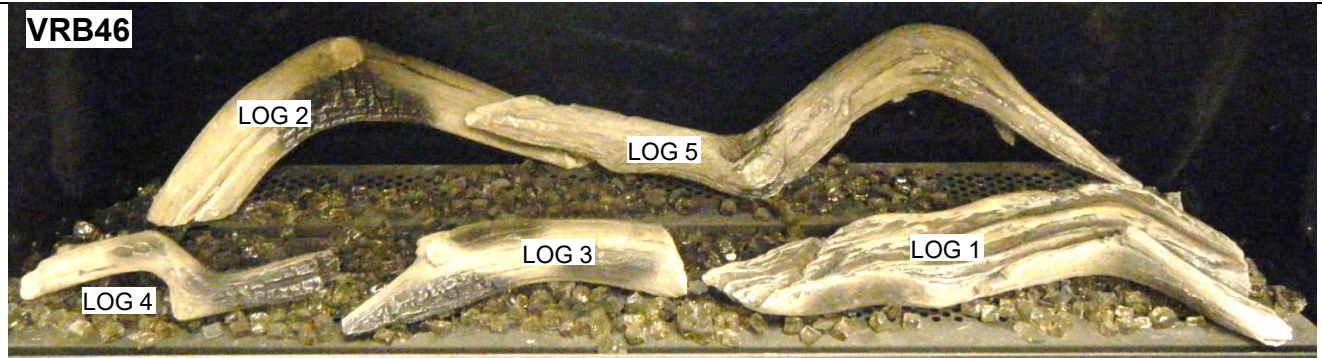
MQRB5143



VRB46



VRB46



MQLOAK1 Log Set– Infinite Series 4436, 5143, 6961

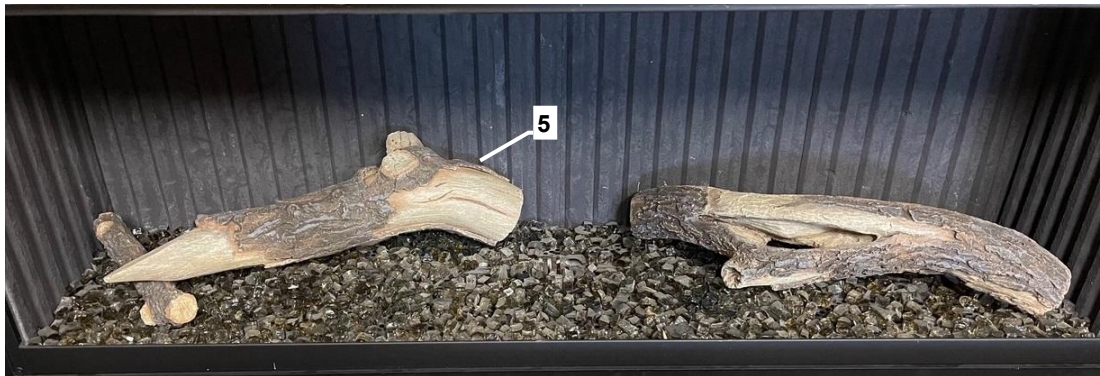
Can be used with MQ Glass, MQ Rock, MQ Stone or MQ Ember. Follow instructions for these accessories.

⚠ NOTE

- Pilot area must not be covered, as delayed ignition could occur
- For best flame pattern it is essential to spread supplied Crushed Glass or MQEMBER directly onto burner tube.
- If sooting occurs, one or more logs may be moved, or removed.



5-piece set.



MQLOAK2 (To be used with MQLOAK1) - Infinite Series 6961ZDV

Can be used with MQ Glass, MQ Rock, MQ Stone or MQ Ember. Follow instructions for these accessories.

⚠ NOTE

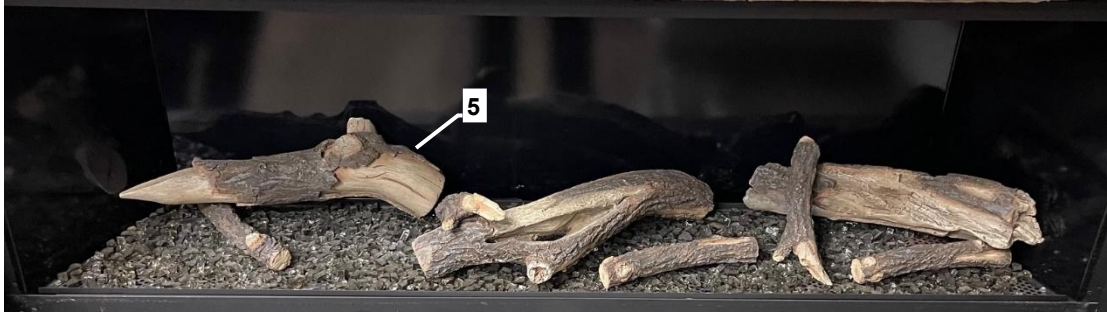
- Pilot area must not be covered, as delayed ignition could occur
- For best flame pattern it is essential to spread supplied Crushed Glass or MQEMBER directly onto burner tube.
- If sooting occurs, one or more logs may be moved, or removed.



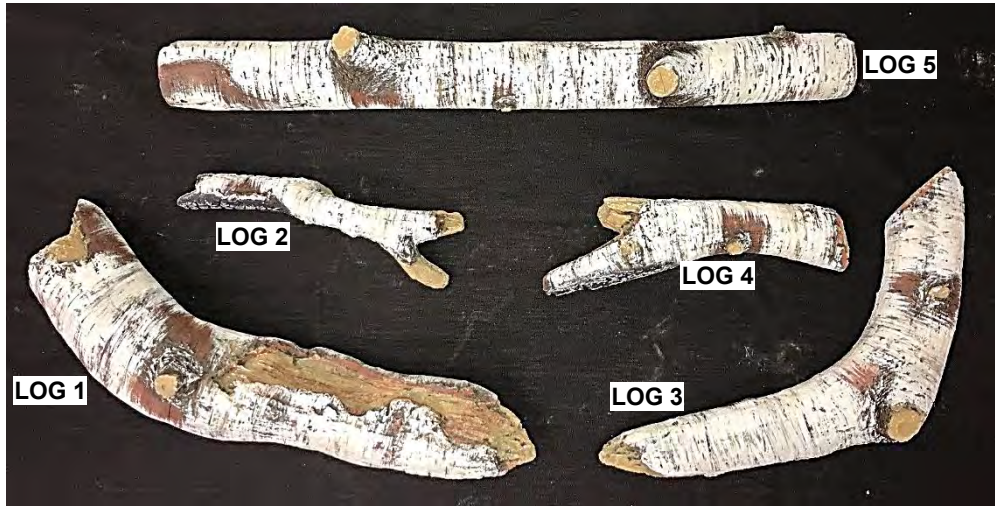
4-piece set.



Continued on next page



Can be used with MQ Glass, MQ Rock, MQ Stone or MQ Ember. Follow instructions for these accessories.



Do Not place Logs over Pilot area.

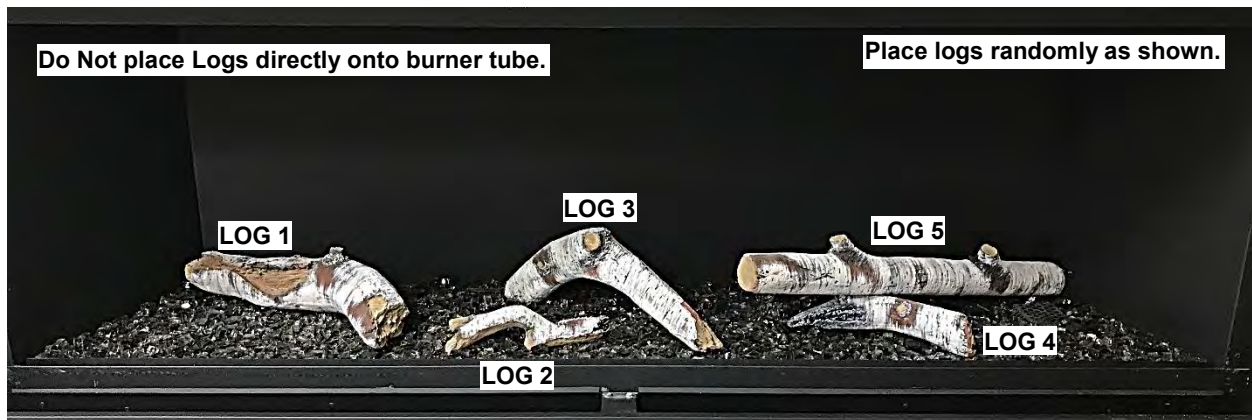


▲ NOTE

- For best flame pattern it is essential to spread supplied Crushed Glass or MQEMBER directly onto burner tube.
- If sooting occurs, one or more logs may be removed.

Do Not place Logs directly onto burner tube.

Place logs randomly as shown.



Door and Glass Information

Glass Cleaning

It will be necessary to clean the glass periodically. During startup, condensation, which is normal, forms on the inside of the glass, and causes dust, lint etc. to cling to the glass surface.

Also, initial paint curing can deposit a slight film on the glass. It is therefore recommended that initially the glass be cleaned two or three times with a commercial fireplace glass cleaner. After that, the glass should be cleaned two or three times a season depending on the circumstances.

⚠ Cautions and Warnings

- Do not clean when the glass is hot.
- The use of substitute glass will void all product warranties (see **Glass Replacement** in this section).
- Care must be taken to avoid breakage of the glass.
- Do not operate this fireplace without the glass front or with a broken glass front.
- Do not strike or abuse the glass.

Glass Replacement

Only Robax ceramic or coated Neoceram glass may be used for replacement for Models **MQRB4436**, **MQRB5143** and **MQRB6169**. Glass must be minimum 5mm thick.

To replace glass, clean all materials from the door frame. Scrape off old silicone all the way down to the metal. Using high-temp silicone [rated up to 500°F (260°C)] apply a continuous bead of approximately 1/8"-3/16" to all four [4] sides of the frame. With the frame resting on a flat surface, insert the new glass with a new gasket. Gently press the glass into the silicone. Be careful not to use excessive force on the glass. Let the silicone dry for approximately 15-20minutes.

Use caution when removing broken glass. Wear gloves.

Removal of the Glass Door

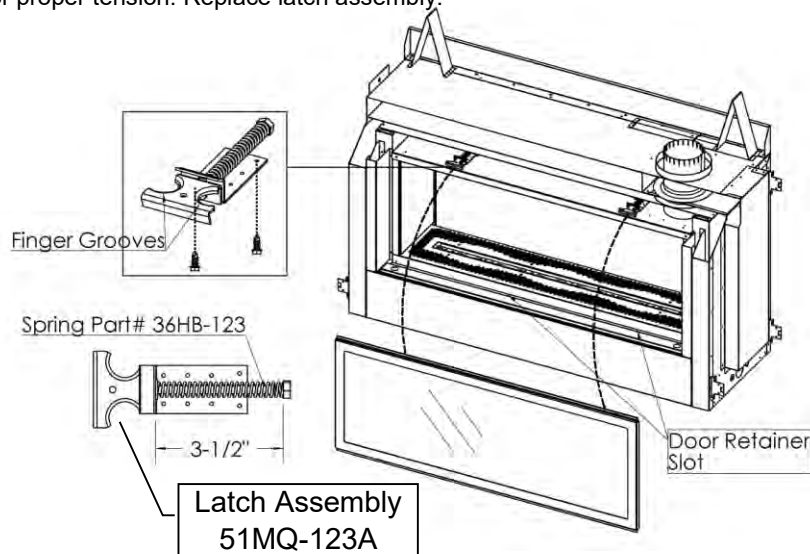
NOTE: A Door Latch Tool is provided to assist with removing and installing the glass doors. See next page.

1. Remove the door by unlatching the 2 top latches. Simply place 2 fingers in the grooves, and pull and lift upward slightly.
2. Once the top of the door is unlatched, tilt the door forward and lift upward to release the bottom.
3. When re-installing the door, place the bottom of the door into the door retainer slot and then secure the door with the top latches.

Spring Replacement

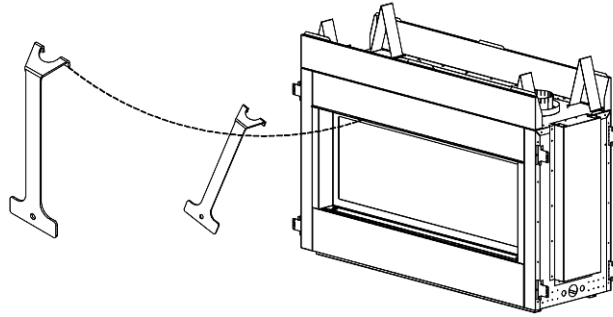
*Over time, the door latch spring (Part#36HB-123) may need to be replaced if tension is lost.

1. To replace latch spring, remove the 2 hex screws (located in the firebox) that secure the latch assembly in place.
2. Once the screws are removed the latches will slide out of place.
3. Remove the locknut from the latch assembly and replace the spring. Re-tighten the locknut until 2 thread turns are beyond the locknut. This is critical for proper tension. Replace latch assembly.



A Door Latch Tool is provided to assist with removing and installing the glass doors on the Infinite Series. While it is not necessary to use this tool, it may prove helpful.

⚠ Wait until unit is Completely cool before touching glass or attempting to remove door.



- Fireplace Parts Are Removed for Clarity Only -



Step 1: Reach up into fireplace.



Step 2: Grasp Latch with Tool.



Step 3: Brace one hand between Tool and Glass.



Step 4: Draw Latch forward with other hand.



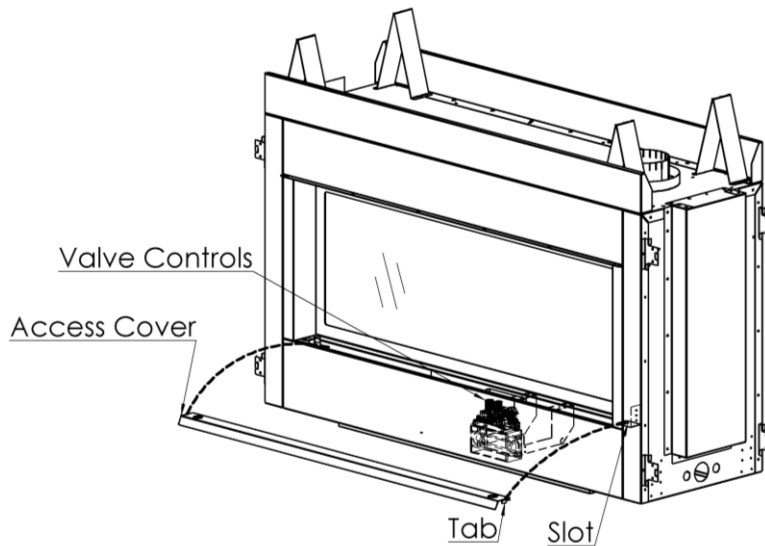
Step 5: Release Latch from Door.



Step 6: Release Tool from Latch.

Valve Access Cover Removal

Remove Valve Access Cover in order to access igniter and valve controls. To remove Valve Access Cover, simply insert fingers into holes in Access Panel and lift out. When replacing Access Panel, engage Tabs into Slots in Bracket.



MQRB4436 / MQRB5143 / MQRB6961 Removable Lower Face Panel

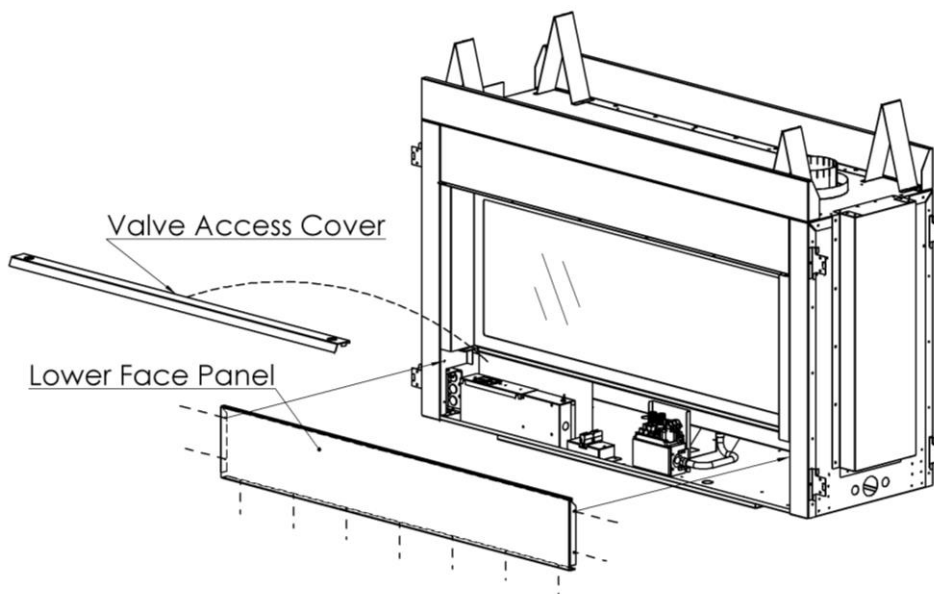
Installers Note:

The Lower Face Panel on the valve side of the unit is shipped attached with only 3 screws for easy removal. This allows all necessary gas line and electrical connections to be made easily.

Once the installation is complete attach the Lower Face Panel with the supplied screws.

The Lower Face Panel must be on the unit **Before** Facing Materials are applied.

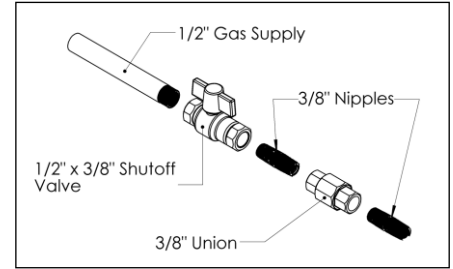
Note: Once Facing Materials are applied, removal of the Lower Face Panel will not be possible.



Gas Line Installation

This gas appliance should be installed by a qualified installer in accordance with local building codes and with current CAN/CSA - B149.1 or .2 installation codes for Gas Burning appliances and equipment in Canada and the National Fuel Gas Code ANSI Z223 in the U.S.A.

- The gas pipeline can be brought in through either the left side or the bottom of the appliance. A knockout is provided at either location to allow for the gas pipe installation and testing of any gas connection.
- The gas control inlet is 3/8" NPT. Typical installation layout for rigid pipe is shown at right.
- When using copper or flex connector, use only approved fittings. Always provide a union so that gas line can be easily disconnected for burner or fan servicing. See gas specification for pressure details and ratings.
- When a vertical section of gas pipe is required for the installation, a condensation trap is needed. See CAN/CSA-B149.1 or .2 for code details.
- For natural gas, a minimum of 1/2" iron pipe with gas minimum pressure of 5.5" w.c. must be used for supply from the gas meter. Consult with the local gas utility if any questions arise concerning pipe sizes.
- Ports are accessible for test gauge connection both on the inlet and outlet of the gas valve.
- Turn the gas supply ON and check for leaks. **DO NOT USE OPEN FLAME FOR THIS PURPOSE.** Use an approved leak testing solution.
- The appliance and its individual shutoff valve must be disconnected from the gas supply piping system during any pressure testing of that system at test pressures in excess of 1/2psig [3.5 kPa].
- The appliance must be isolated from the gas supply piping system by closing its individual shutoff valve during any pressure testing of the gas supply piping system at test pressures equal to or less than 1/2psig [3.5 kPa].



Shutoff valves installed in tubing systems shall be rigidly and securely supported independently of the tubing.

NOTE: The gas line connection may be made of 1/2" rigid pipe or an **Approved Kingsman Flex Connector, such as FP15GC.** Since some municipalities have additional local codes, it is always best to consult your local authorities and the current CAN/CSA - B149.1 or .2 installation code in Canada or the National Fuel Gas code ANSI Z223.1 in the U.S.A

For the state of Massachusetts a T-handle gas shut-off valve must be used on a gas appliance. This T-handle gas shut-off valve must be listed and approved by the state of Massachusetts. This is in reference to the state of Massachusetts state code CMR238.

Warning: When purging the gas line, the glass front must be removed.

Do not alter the gas orifice.

Gas Specifications

Models	MQRB4436N MQRB4436NE MQRB4436NE2	MQRB4436LP MQRB4436LPE MQRB4436LPE2	MQRB5143N MQRB5143NE MQRB5143NE2	MQRB5143LP MQRB5143LPE MQRB5143LPE2	MQRB6961N MQRB6961NE MQRB6961NE2	MQRB6961LP MQRB6961LPE MQRB6961LPE2
Fuel	Natural Gas	Propane	Natural Gas	Propane	Natural Gas	Propane
Input	31,500 Hi 22,500 Lo	31,000 Hi 23,000 Lo	38,500 Hi 22,500 Lo	38,000 Hi 29,500 Lo	59,000 Hi 42,500 Lo	58,500 Hi 46,000 Lo
Orifice Size (0-4500ft)	#33	#49	#30	#47	#34 x 2	#49 x 2
Air Shutter	3/32"	Full Open	1/32"	Full Open	1/16"	Full Open
Gas Inlet Size	S.I.T. 820 Nova, 3/8" NPT					
Gas Supply Pressure	Minimum		Normal		Maximum	
Natural Gas	5.5"		7"		9"	
Propane	11"		11"		12"	
Manifold Pressure High	3.5" w.c. [0.87kPa] NG			10" w.c. [2.61kPa] LP		
Manifold Pressure Low	1.6" w.c. [0.40kPa]			6.3" w.c. [1.57kPa]		

IMPORTANT: Always check for gas leaks with a soap and water solution. **DO NOT USE OPEN FLAME FOR LEAK TESTING.**

Millivolt System, Lighting, and Burner Control

FOR YOUR SAFETY READ BEFORE LIGHTING

WARNING: If you do not follow these instructions exactly, a fire or explosion may result causing property damage, personal injury or loss of life.

BEFORE LIGHTING

- | | |
|--|--|
| <p>A This appliance has a pilot which must be lighted by hand. When lighting the pilot, follow these instructions exactly.</p> <p>B Smell all around the appliance area for gas. Be sure to smell next to the floor because some gas is heavier than air and will settle on the floor.</p> <p>WHAT TO DO IF YOU SMELL GAS</p> <ul style="list-style-type: none"> Do not try to light an appliance. Do not touch any electrical switch; do not use any phone in your building. | <ul style="list-style-type: none"> Immediately call your gas supplier from a neighbour's phone. Follow the gas supplier's instructions. If you cannot reach your gas supplier, call the fire department. <p>C Use only your hand to push or turn the gas control knob. Never use tools. If the knob will not push in or turn by hand, don't try to repair it. Call a qualified technician. Force or attempted repair may result in a fire or explosion.</p> <p>D Do not use the appliance if any part has been under water. Immediately call a qualified service technician to inspect the appliance and to replace any part of the control system which has been under water.</p> |
|--|--|

LIGHTING INSTRUCTIONS

- | | |
|--|---|
| <ol style="list-style-type: none"> Stop! Read the safety information above this label. Set the thermostat to lowest setting. Turn off all electrical power to the appliance. Locate valve under the burner assembly. If the control knob is not already in the off position, i.e. the word "OFF" in the 9 o'clock position, then push in the gas control knob slightly and turn ⤵ clockwise to "OFF". NOTE: Knob cannot be turned from "PILOT" to "OFF" unless knob is pushed in slightly. Do not use force. Wait five [5] minutes to clear out any gas. If you then smell gas. STOP! Follow "B" in the safety information above on this label. If you don't smell gas then go to the next step. Now push in the control knob slightly and turn ⤵ counter-clockwise to the "PILOT" position. Push in the control knob all the way and hold it. With the other hand push in the red igniter button until you hear a click. Now observe closely the pilot burner located on the rear center-left hand side of the main burner. | <p>If a flame has appeared then continue to depress the control knob for 20 seconds. If the flame did not appear then continue to depress the red igniter button every 5 seconds until a flame is established. NOTE: If after 30 seconds a flame has not yet been established then turn the control knob back to the off position and repeat steps 5, 6 & 7.</p> <ol style="list-style-type: none"> Once the pilot has been established hold the control knob in the depressed position for approximately 25 seconds before releasing. If the flame goes out then repeat steps 7 and 8. <ul style="list-style-type: none"> If the knob does not pop up when released, stop and immediately call your service technician or gas supplier. If the pilot will not stay lit after several tries, turn the gas control to "OFF" and call your service technician. Now turn the control knob to the "ON" position. The burner will not light unless the wall switch thermostat or remote control is turned "ON" or in the case of the thermostat there is a call for heat. Close the access door and turn all electrical power back to the appliance. |
|--|---|

TO TURN OFF THE APPLIANCE

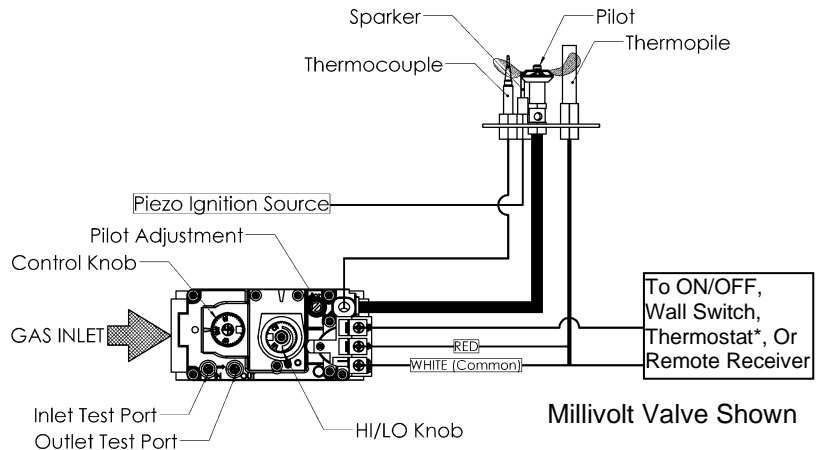
- | | |
|---|--|
| <ol style="list-style-type: none"> Set the thermostat to lowest setting. Turn off all electric power to the appliance if service is to be performed. Open the control access door. | <ol style="list-style-type: none"> Push in the gas control knob slightly and turn ⤵ clockwise to the "OFF" position. Do not force. Replace control access panel. |
|---|--|

NOTE: Only one on/off device (manual on/off, remote control, or hard wired thermostat) should be connected to the appliance at any one time, this is most important when installing an insert or stove as the on/off rocker switch is installed at the factory.

Recommended Maximum Lead Length (Double Wire)
When Using Wall Switch or Thermostat

Wire Size	Max. Length
14ga	100ft [30.4m]
16ga	64ft [19.5m]
18ga	40ft [12.1m]
20ga	25ft [7.6m]
22ga	15ft [4.5m]

CAUTION: DO NOT WIRE 120V POWER TO MILLIVOLT SWITCHES OR THERMOSTAT.



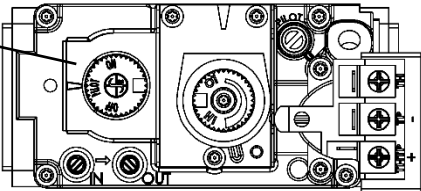
- Lighting Instructions for Millivolt Valve with 7 Day Timer -

FOR YOUR SAFETY READ BEFORE LIGHTING

WARNING: If you do not follow these instructions exactly, a fire or explosion may result causing property damage, personal injury or loss of life.

- A. This appliance has a pilot which must be lighted by hand. When lighting the pilot, follow these instructions exactly.
- B. **BEFORE OPERATING** smell around the appliance area for gas. Be sure to smell next to the floor because some gas is heavier than air and will settle on the floor.
- WHAT TO DO IF YOU SMELL GAS
- Do not try to light any appliance.
 - Do not touch any electric switch; do not use any phone in your building.
 - Leave the building immediately.
 - Immediately call your gas supplier from a neighbor's phone. Follow the gas supplier's instructions.
 - If you cannot reach your gas supplier, call the fire department.
- C. Do not use this appliance if any part has been under water. Immediately call a qualified service technician to inspect the appliance and replace any part of the control system and any gas control which has been under water.
- D. Use only your hand to push in or turn the gas control knob. Never use tools. If the knob will not push in or turn by hand, do not try to repair it; call a qualified service technician. Force or attempted repair may result in a fire or explosion.

OPERATING INSTRUCTIONS

1. **Stop!** Read the safety information above on this label.
 2. This appliance is equipped with an on-demand pilot that shuts off after 7 days.
 3. Set the thermostat to lowest setting.
 4. Turn off all electric power to the appliance.
 5. Locate valve under the burner assembly.
 6. If the control knob is not already in the off position, i.e. the word "OFF" in the 9 o'clock position, then push in the gas control knob slightly and turn ⤵ clockwise to "OFF". NOTE: Knob cannot be turned from "PILOT" to "OFF" unless knob is pushed in slightly. Do not use force.
- Gas Control knob shown in "PILOT" position
- 
7. Wait five (5) minutes to clear out any gas. Then smell for gas, including near the floor. If you smell gas, STOP! Follow "B" in the safety information above this label. If you do not smell gas, go to next step.
 8. Now push in the control knob slightly and turn ⤴ counter-clockwise to the "PILOT" position.
 9. Push in the control knob all the way and hold it. With the other hand push in the red igniter button until you hear a click. Now observe closely the pilot burner located on the rear center-left hand side of the main burner. If a flame has appeared then continue to depress the control knob until a BEEP is heard. This procedure may take up to TWO MINUTES.
 10. If the pilot flame did not appear then continue to depress the red igniter button every 5 seconds until a flame is established. NOTE: If after 30 seconds a flame has not yet been established then turn the control knob back to the off position and repeat steps 7, 8, and 9.
 11. Once the pilot has been established hold the control knob in the depressed position for approximately 25 seconds before releasing. If the flame goes out then repeat steps 9 and 10.
 - If the knob does not pop up when released, stop and immediately call your service technician or gas supplier.
 - If the pilot will not stay lit after several tries, turn the gas control to "OFF" and call your service technician.
 12. Now turn the control knob to the "ON" position. The burner will not light unless the wall switch thermostat or remote control is turned "ON" or in the case of the thermostat there is a call for heat.
 13. Close the access door.
 14. Turn on all electric power to the appliance.
 15. Set thermostat to desired setting.
 16. If the appliance will not operate, follow the instructions "To Turn Off Gas To Appliance" and call your service technician or gas supplier.

TO TURN OFF GAS TO APPLIANCE

1. Set thermostat to lowest setting.
2. Turn off all electric power to the fireplace if service is to be performed.
3. Open the control access door.
4. Push in the gas control knob slightly and turn ⤵ clockwise to the "OFF" position. Do not force.
5. Close the control access door.

Troubleshooting the Gas Control System

⚠ WARNING

BEFORE DOING ANY GAS CONTROL SERVICE WORK, REMOVE THE GLASS FRONT.

NOTE: Before troubleshooting the gas control system, be sure external gas shut off is in the "On" position.

Problem	Possible Causes	Corrective Action
Spark igniter will not light.	Defective or misaligned electrode at pilot.	Check for spark at electrode and pilot: if no spark and electrode wire is properly connected, replace igniter.
	Defective igniter (push-button).	Using a match, light pilot. If pilot lights, turn off pilot and push the red button again. If pilot will not light - check gap at electrode and pilot should be 1/8" to 1/4" to have a strong spark.
Pilot will not stay lit after carefully following lighting instructions.	Defective thermocouple (flame switch where applicable).	Check pilot flame. Must impinge on generator and thermocouple. Clean and/or adjust pilot for maximum flame impingement on generator and thermocouple. Replace thermocouple if pilot will not hold. (Hand tight 1/8 turn on replacement)
	Defective valve magnet.	Replace valve, if pilot won't hold after the thermocouple is replaced.
Pilot burning, no gas to burner, valve knob "ON", and wall switch "ON".	Wall switch or wires defective.	Check wall switch and wires for proper connections. Jumper wire across terminals at wall switch. If burner comes on, replace defective wall switch. If okay, jumper wires, across wall switch wires at valve. If burner comes on, wires are faulty or connections are bad.
	Generator may not be generating sufficient voltage.	Check generator with millivolt meter. Take reading at generator terminals of gas valve. Should read 325 millivolts minimum while holding valve knob depressed in pilot position and wall switch "off" Replace faulty generator if reading is below specified minimum.
	Plugged burner orifice.	Check burner orifice for stoppage and remove.
	Defective automatic valve operator.	Remove wall switch wires from gas valve. Install jumper wires from top bottom terminals of gas valve. Turn valve on "ON". If main burner does not light, replace valve.
Frequent pilot outage problem.	Pilot flame may be too low or blowing (high) causing the pilot safety to drop out.	Clean and/or adjust pilot flame for maximum flame impingement on generator and thermocouple. *See NOTE below – Seven Day Timer
Flame lifts off burner and goes out in less than 30 seconds.	Inner 4" liner has come off flue or termination, flame is starving for oxygen.	Attach 4" liner to flue or termination using screws, silicone and clamps as stated in manual.
Flame lifts off burner on one side while the rest of the flame remains lit.	Improper installation of firebrick. Firebrick is likely leaning.	Be sure to position firebrick against firebox walls and be sure to use brick clips attached to the inner side of firebox.

***NOTE:** The pilot system for this appliance may be equipped with a **Seven Day Timer**, in which case the pilot flame will be extinguished if the main burner has not been turned ON for seven days.

This Seven Day Cycle is reset every time the main burner is cycled ON / OFF and the pilot remains lit.

If more than seven days has passed since the main burner has been cycled ON / OFF and the pilot is also out, follow the procedures described in this manual to light the pilot.

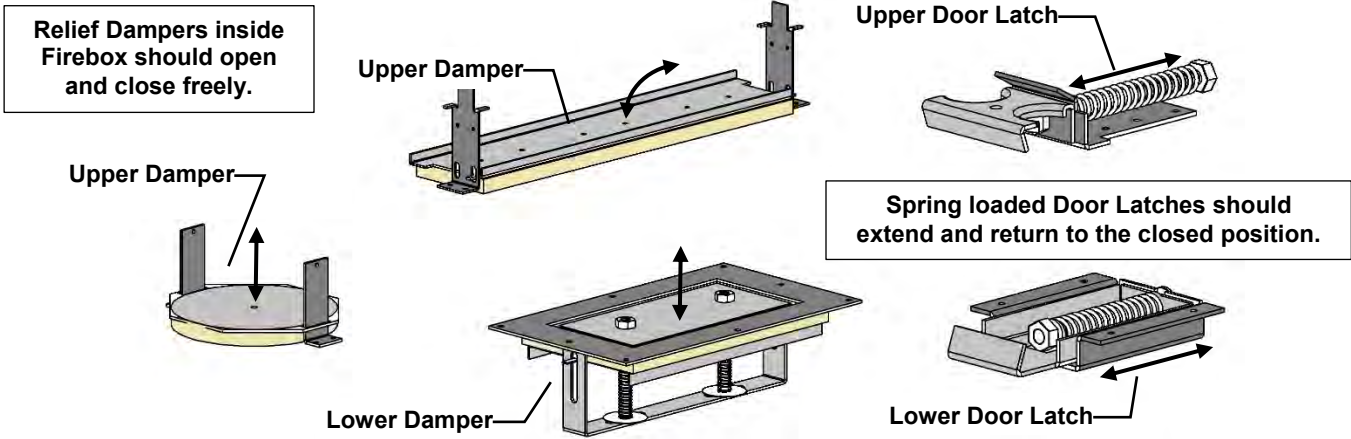
NOTE: MILLIVOLT UNITS WITH 7 DAY TIMER – When lighting pilot, the Pilot Knob must be pressed until a **BEEP** is heard. This procedure may take up to **TWO MINUTES**.

Annual Inspection List for Determining Safe Operation of a Direct Vent Gas Fireplace

Refer to this checklist for proper maintenance, safe use, and operation.

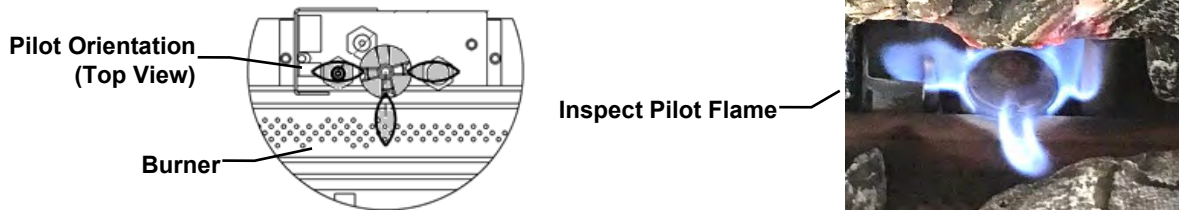
See each section for more specific information.

1. Inspect and operate all pressure relief mechanisms (i.e., relief dampers, spring loaded door latches) installed on your appliance to verify relief mechanisms are free from obstruction to operate.

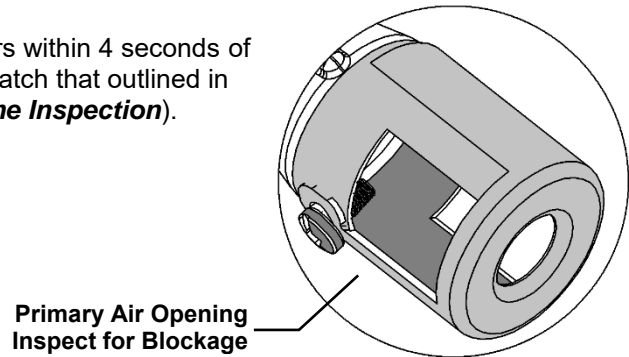


2. Clean glass window with a suitable fireplace glass cleaner. Abrasive cleaners must not be used. Be careful not to scratch the glass when cleaning.

3. Inspect the operation of the Pilot. Ensure that it is working properly.



4. Inspect and ensure the lighting of the main burner occurs within 4 seconds of the main gas valve opening. Visual inspection should match that outlined in the appliance instruction manual (refer to **Monthly Flame Inspection**). Inspect primary air openings for blockage.



5. Inspect condition of vent and vent terminal for sooting or obstruction and correct if present.
6. Vacuum and clean any debris in the firebox that is not supposed to be there.
7. Test and measure the flame failure response time of the flame safety system. It must de-energize the safety shutoff in no more than 30 seconds.

Procedure for Millivolt Units: Turn on fireplace for 5 minutes. Shut off fireplace while listening to valve. A "click" should be heard within 30 seconds. This indicates the safety shutoff is working properly.

Procedure for IPI Units: Turn on fireplace and allow main burner to come on. Then disconnect Flame Sense wire from IPI Module (X3 Connection). The fireplace should shut down immediately.
8. Check all accessible gas-carrying tubes, connections, pipes and other components for leaks.

Burner System Maintenance- MQRB4436 / MQRB5143 / MQRB6961

It is recommended to annually inspect and clean the Burner System to prevent malfunction and / or sooting. This operation should be performed by your dealer or a qualified technician.

⚠ -CAUTION-

Before servicing the burner system ensure that the gas supply is turned OFF and disconnect all electrical connections to the appliance. Allow the appliance to cool to room temperature. Note that the pilot assembly may be hot in an intermittent or standing-pilot system—even if the main burner was never on. Exercise caution when working within the area.

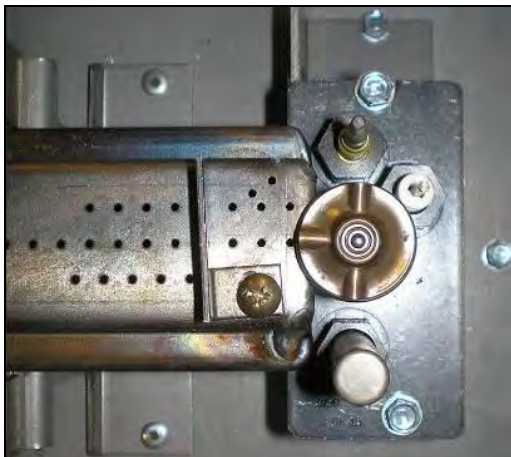
-ALL WORK SHOULD BE PERFORMED BY A QUALIFIED AND CERTIFIED TECHNICIAN-

Monthly Flame Inspection



It is recommended to turn on the unit at least once a month and inspect the flame pattern to ensure there are no problems with the burner tube (Flame should appear similar to the above picture).

The pilot flame should also be inspected monthly to ensure proper operation.



Pilot Must Maintain This Relationship With Burner.



Pilot Area Must Not Be Covered.

*Pilot Shield should be visually inspected monthly for signs of deterioration due to flame exposure. Replace if necessary.



Instructions for converting SIT 190 series pilot burner injector from NG to PROPANE and from PROPANE to NG only. This information should be considered as supplemental to the Appliance Manufacturer's Instructions.

WARNING! The installation of this conversion kit must only be undertaken by a qualified and certified gas appliance installer.

1. Shut-off the gas supply to the appliance.
2. Allow the pilot burner to cool to room temperature.

WARNING: Touching a hot pilot burner can result in injury.

3. The pilot hood is held in place by spring. First remove the spring, then remove the hood by pulling it up from the pilot bracket (fig. 1).
4. Insert a 5/32" or 4 mm Allen wrench into the hexagonal key-way of the injector (fig. 2), and rotate it counter-clockwise until it is free of the injector journal.
5. Verify that the new injector is proper for the application. The injector size is stamped on the side of the injector near the top. Propane injectors have a groove machined around their circumference near the top, while NG injectors do not have a groove (fig. 4). Refer to the Appliance Manufacturer's instruction sheet for the proper injector size.
6. Insert the Allen wrench into the end of the injector. Then, insert the injector into injector journal, and rotate the injector clockwise until a torque of 9 lbf in (1.0 Nm) is achieved.
7. First replace the pilot hood by aligning the tab on the base of the hood with the slot in the side of the pilot journal, and push the hood down, onto the pilot bracket (fig. 3). The hood must sit squarely on the bracket for proper operation. Then replace the spring by pushing it on his seat (fig.3). Check to insure that the hood is properly seated onto the pilot bracket and that the spring is properly inserted onto his seat.
8. Restore the gas supply to the appliance, and ignite the pilot burner. Verify proper ignition and operation.

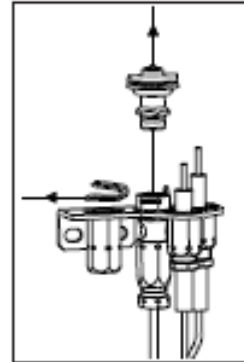


fig. 1

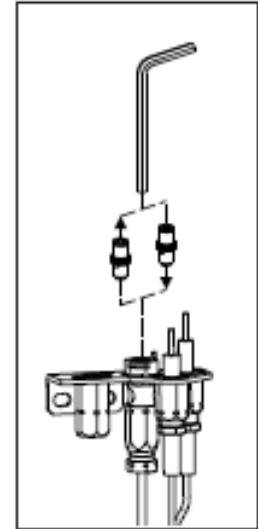


fig. 2

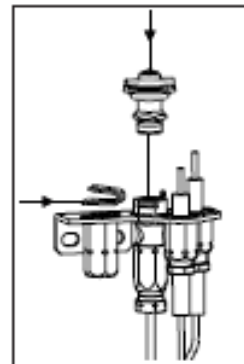


fig. 3

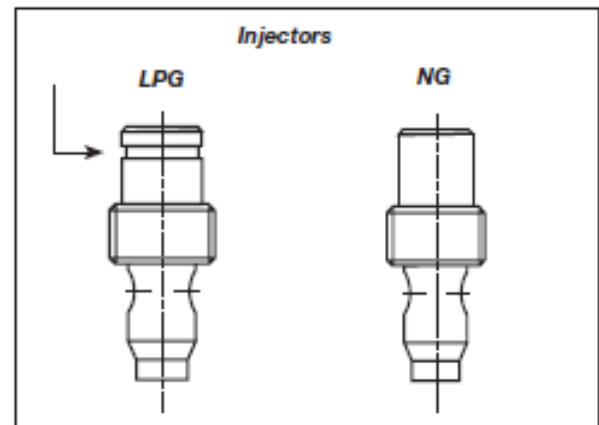


fig. 4

WARNING!

This conversion kit must **ONLY** be applied as part of a conversion kit supplied by the **APPLIANCE MANUFACTURER** for the specific appliance, and type of gas, being converted.



SIT GROUP

www.sitgroup.it

installation instructions

7.252.136

820 NOVA mV

Modulating Conversion Kit

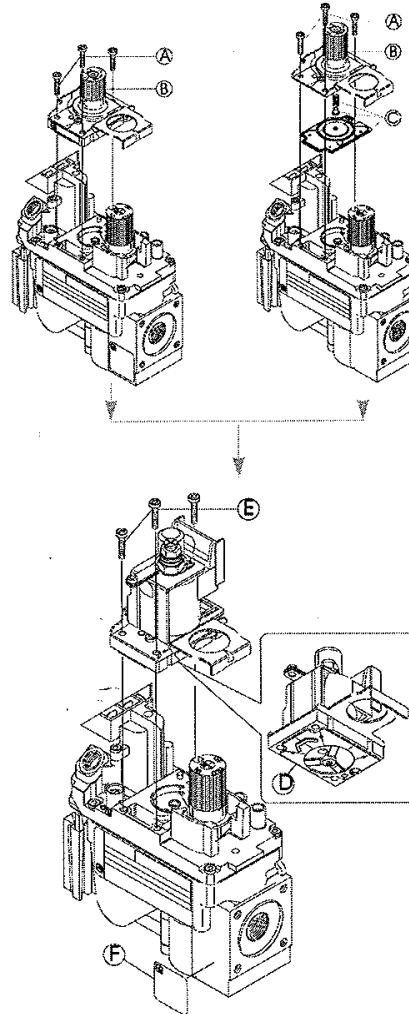


WARNING!

The installation of this conversion kit must only be undertaken by a qualified and certified gas appliance installer.

MODULATING PRESSURE REGULATOR CONVERSION KIT INSTALLATION OR REPLACEMENT INSTRUCTIONS.

- 1 Turn control knob to the OFF position, and shut off the gas supply to the valve.
- 2 Using a Torx T20, or slotted screwdriver, remove and discard the three pressure regulator mounting screws (A), pressure regulator tower (B), and the spring and diaphragm assembly (C).
(If applicable)
- 3 Insure that the rubber gasket (D) is properly positioned and install the new modulating pressure regulator assembly to the valve using the new screws (E) supplied with the kit. Tighten screws securely.
(Reference torque = 25 In.Lb.)
- 4 Install the enclosed identification label (F) to the valve body where it can be easily seen.
- 5 Apply gas to system and re-light appliance according to manufacturers instructions.
- 6 With the main burner "ON", test the new pressure regulator assembly for leaks using a soap solution.
- 7 Relight the main burner in both the HI and LO positions, and verify proper burner ignition and operation.



WARNING!

This modulating conversion kit must ONLY be applied as part of a conversion kit supplied by the APPLIANCE MANUFACTURER for the specific appliance, and type of gas, being converted.

INSTALLER NOTICE. These instructions must be left with appliance.



SIT Group

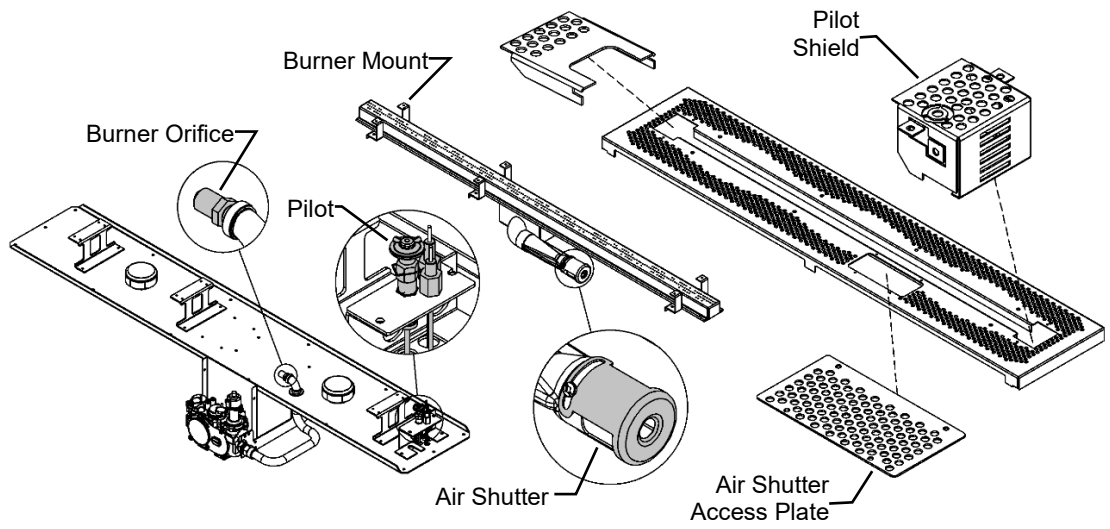
MQRB4436 Burner Section: Gas Conversion

Models: MQRB4436N, MQRB4436NE, MQRB4436NE2, MQRB4436LP, MQRB4436LPE, MQRB4436LPE2

Kit Number	Description	Pilot Orifice	Burner Orifice Brass (1000-255)	Brass Nipple	Air Shutter	Hi/Lo Regulator
4436MQ-CKLP	Propane Conversion- Mv	1001-P167SI #30 (977.167)	#49	1000-253 closed nipple	Full Open	1001-P202SI (0.907.202)
4436MQ-CKNG	NG Conversion -Millivolt-	1001-P165SI #51 (977.165)	#33	1000-253 closed nipple	3/32"	1001-P201SI (0.907.201)
4436MQ-CKLPI	Propane Conversion- Mv	1001-P168SI #35 (977.168)	#49	1000-253 closed nipple	Full Open	1002-P014SI (0.907.014)
4436MQ-CKLP2	Propane Conversion- Mv	1001-P168SI #35 (977.168)	#49	1000-253 closed nipple	Full Open	1002-P012SI (907.012)
4436MQ-CKNGI	NG Conversion -IPI-	1001-P166SI #62 (977.166)	#33	1000-253 closed nipple	3/32"	1002-P016SI (0.907.016)
4436MQ-CKNG2	NG Conversion -IPI-	1001-P166SI #62 (977.166)	#33	1000-253 closed nipple	3/32"	1002-P013SI (907.013)

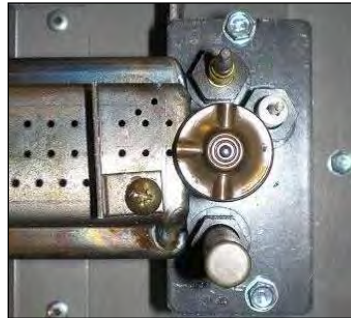
IMPORTANT: Always check for gas leaks with a soap and water solution. DO NOT USE OPEN FLAME FOR LEAK TESTING.

- Parts List:**
- HI/LO Pressure Regulator Assembly
 - Pilot Orifice
 - Burner Orifice
 - Brass Nipple
 - Instructions
 - Conversion Kit Label



⚠ Caution:
The gas supply shall be shut off prior to disconnecting the electrical power, before proceeding with the conversion.

1. The Burner Tube must be removed from the Burner Pan Assembly (See **Burner Tube Removal**). Adjust the Air Shutter to the correct Primary Air setting as specified in the manual or on the label plate. To adjust the Primary Air setting, loosen screw on the side of the Air Shutter and rotate to the correct opening using a drill bit or tape measure. Retighten screw.
2. Remove the Main Orifice using a 1/2" wrench and replace with the new Conversion Orifice which came with the Conversion Kit.
3. Replace the Burner Tube. Install the new Pilot Orifice (See **Pilot Conversion**) and Hi/Lo valve regulator by following instructions supplied with the Conversion Kit.



Pilot Must Maintain This Relationship With Burner.

⚠ -Warning-

This conversion kit shall be installed by a qualified service agency in accordance with the manufacturer's instructions and all applicable codes and requirements of the authority having jurisdiction. If the information in these instructions is not followed exactly, a fire, explosion or production of carbon monoxide may result causing property damage, personal injury or loss of life. The qualified service agency is responsible for the proper installation of this kit. The installation is not proper and complete until the operation of the converted appliance is checked as specified in the manufacturer's instructions supplied with the kit.

Refer to "Gas Specifications Chart" for inlet pressures and input ratings. Clock meter to verify input rate. Place conversion label as close to converted gas control as possible. Refer to lighting instructions to verify the normal operating sequence of the ignition system.

MQRB5143 Burner Section: Gas Conversion

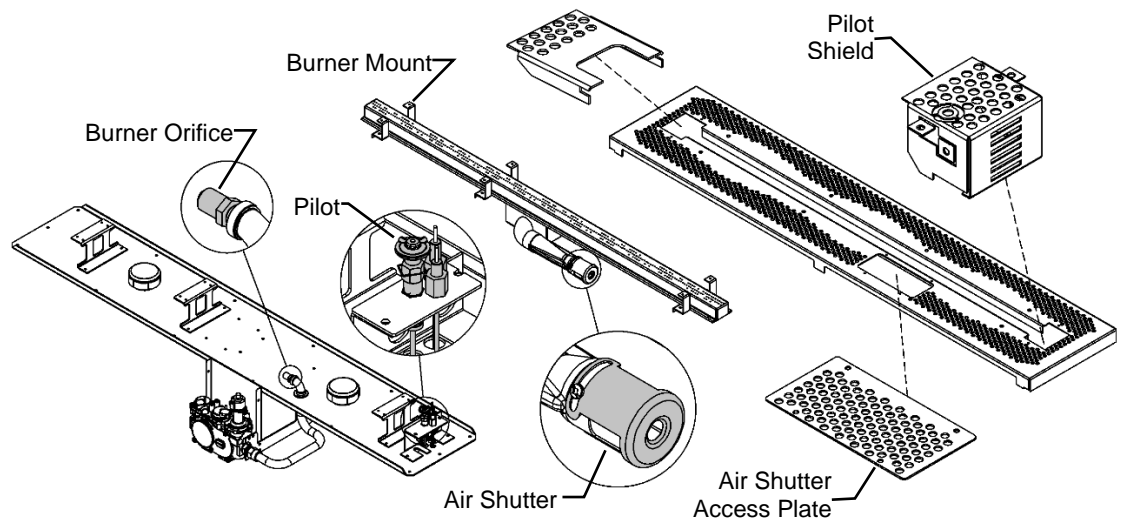
Models: MQRB5143N, MQRB5143LP, MQRB5143NE, MQRB5143LPE, MQRB5143NE2, MQRB5143LPE2

Kit Number	Description	Pilot Orifice	Burner Orifice Brass (1000-255)	Brass Nipple	Air Shutter	Hi/Lo Regulator
5143MQ-CKLP	Propane Conversion- Mv	1001-P167SI #30 (977.167)	#47	1000-253 closed nipple	Full Open	1001-P202SI (0.907.202)
5143MQ-CKNG	NG Conversion -Millivolt-	1001-P165SI #51 (977.165)	#30	1000-253 closed nipple	1/32"	1001-P201SI (0.907.201)
5143MQ-CKLPI	Propane Conversion- Mv	1001-P168SI #35 (977.168)	#47	1000-253 closed nipple	Full Open	1002-P014SI (0.907.014)
5143MQ-CKLP2	Propane Conversion- Mv	1001-P168SI #35 (977.168)	#47	1000-253 closed nipple	Full Open	1002-P012SI (907.012)
5143MQ-CKNGI	NG Conversion -IPI-	1001-P166SI #62 (977.166)	#30	1000-253 closed nipple	1/32"	1002-P016SI (0.907.016)
5143MQ-CKNG2	NG Conversion -IPI-	1001-P166SI #62 (977.166)	#30	1000-253 closed nipple	1/32"	1002-P013SI (907.013)

IMPORTANT: Always check for gas leaks with a soap and water solution. DO NOT USE OPEN FLAME FOR LEAK TESTING.

Parts List:

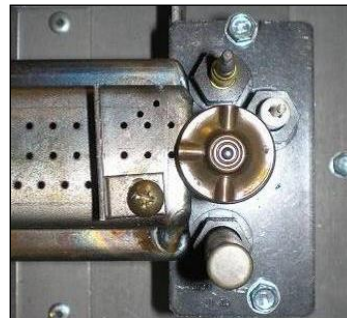
- HI/LO Pressure Regulator Assembly
- Pilot Orifice
- Burner Orifice
- Brass Nipple
- Instructions
- Conversion Kit Label



⚠ Caution:

The gas supply shall be shut off prior to disconnecting the electrical power, before proceeding with the conversion.

1. The Burner Tube must be removed from the Burner Pan Assembly (See **Burner Tube Removal**). Adjust the Air Shutter to the correct Primary Air setting as specified in the manual or on the label plate. To adjust the Primary Air setting, loosen screw on the side of the Air Shutter and rotate to the correct opening using a drill bit or tape measure. Retighten screw.
2. Remove the Main Orifice using a 1/2" wrench and replace with the new Conversion Orifice which came with the Conversion Kit.
3. Replace the Burner Tube. Install the new Pilot Orifice (See **Pilot Conversion**) and Hi/Lo valve regulator by following instructions supplied with the Conversion Kit.



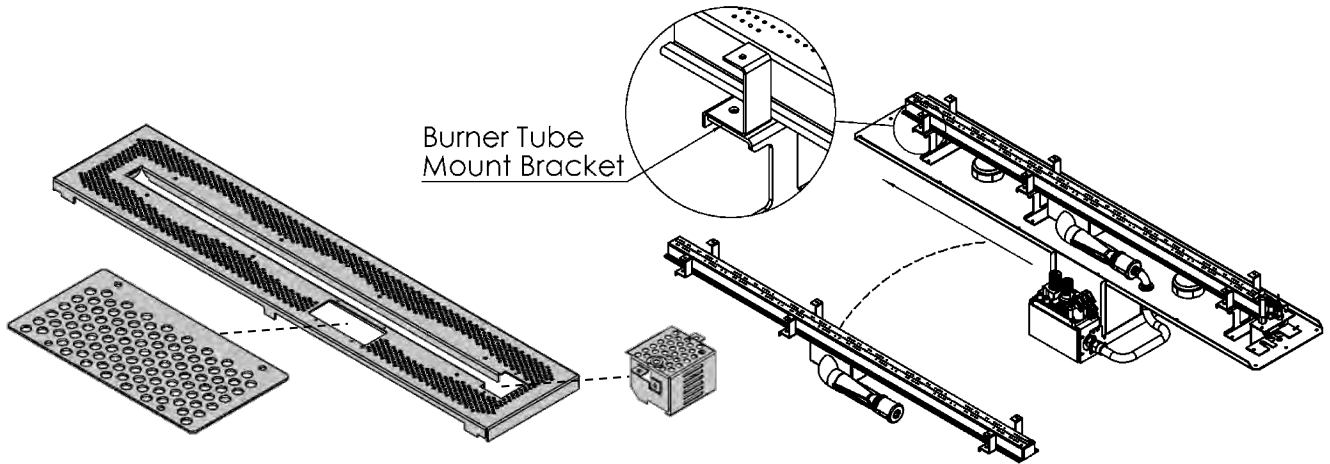
Pilot Must Maintain This Relationship With Burner.

⚠ -Warning-

This conversion kit shall be installed by a qualified service agency in accordance with the manufacturer's instructions and all applicable codes and requirements of the authority having jurisdiction. If the information in these instructions is not followed exactly, a fire, explosion or production of carbon monoxide may result causing property damage, personal injury or loss of life. The qualified service agency is responsible for the proper installation of this kit. The installation is not proper and complete until the operation of the converted appliance is checked as specified in the manufacturer's instructions supplied with the kit.

Refer to "Gas Specifications Chart" for inlet pressures and input ratings. Clock meter to verify input rate. Place conversion label as close to converted gas control as possible. Refer to lighting instructions to verify the normal operating sequence of the ignition system.

MQRB4436 / MQRB5143 Burner Tube Removal

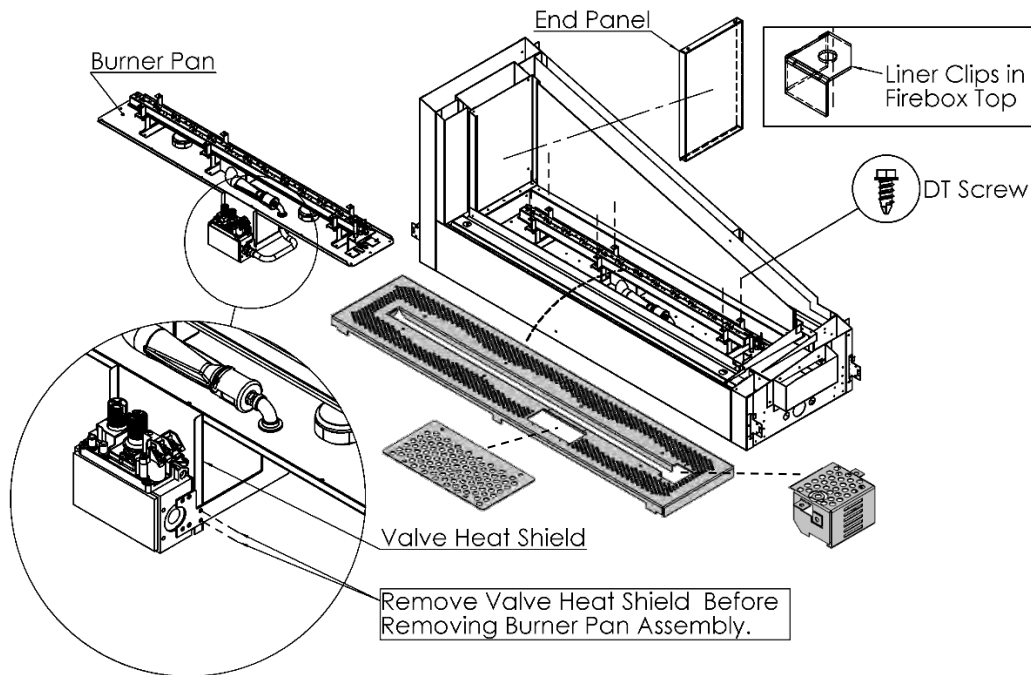


1. Remove False Bottom from fireplace.
2. Remove the six [6] DT screws from the lower portion of the Burner Tube Mount Brackets.
3. Slide the Burner Tube away from the Plumbing Connection until it disengages from the orifice.
4. Reverse these steps to reinstall.

MQRB4436 / MQRB5143 Burner System Removal/Installation Guide

⚠ -Warning-

Turn off Unit and allow to cool before cleaning. Only a Qualified service technician should service and repair this appliance.



1. Remove Valve Heat Shield.
2. Remove the Glass Door from the unit. Loosen Liner Clips in Firebox Top & remove End Panels. Remove DT screws and lift out the False Bottom.
3. Remove the DT screws around the perimeter of the burner pan.
4. Carefully work the burner pan loose & lift the assembly upward to remove it from the firebox cavity.
5. Installation is the reverse of these steps. Ensure that the mounting surface is clean & fresh **Black Mill Pac** is used to reseal the burner pan.

MQRB4436 / 5143 / 6961 Moving Valve to Other Side of Fireplace

Warning: Failure to position the parts in accordance with these diagrams or failure to use only parts specifically approved with this appliance may result in property damage or personal injury.

The Valve Assembly may be changed to the other side of the fireplace. This must be done **Before** the unit is inside the enclosure.

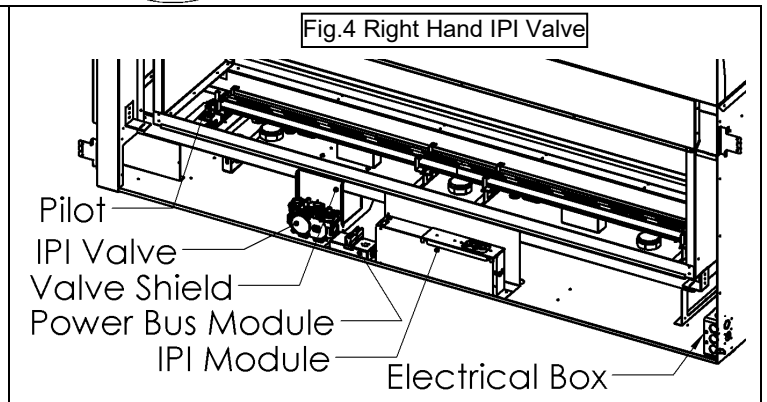
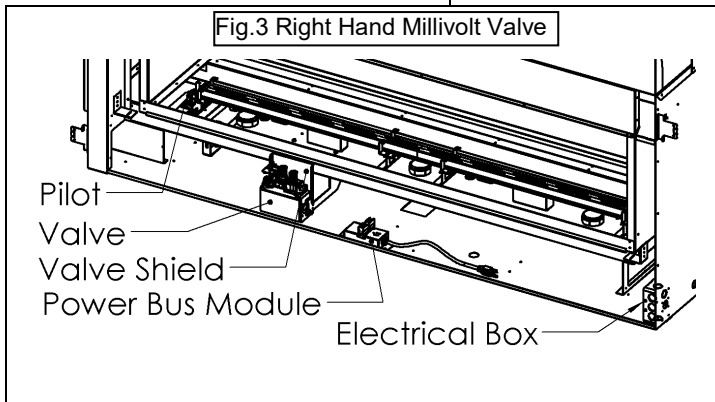
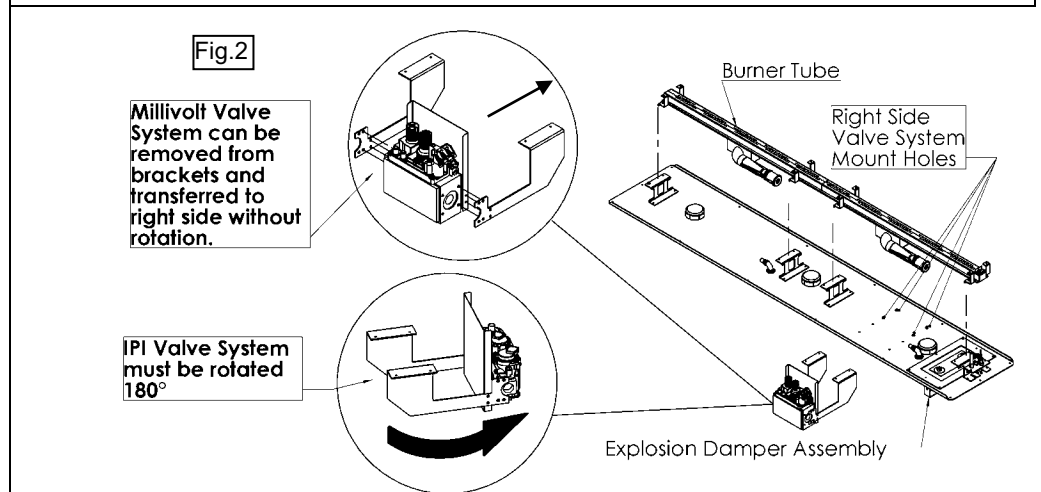
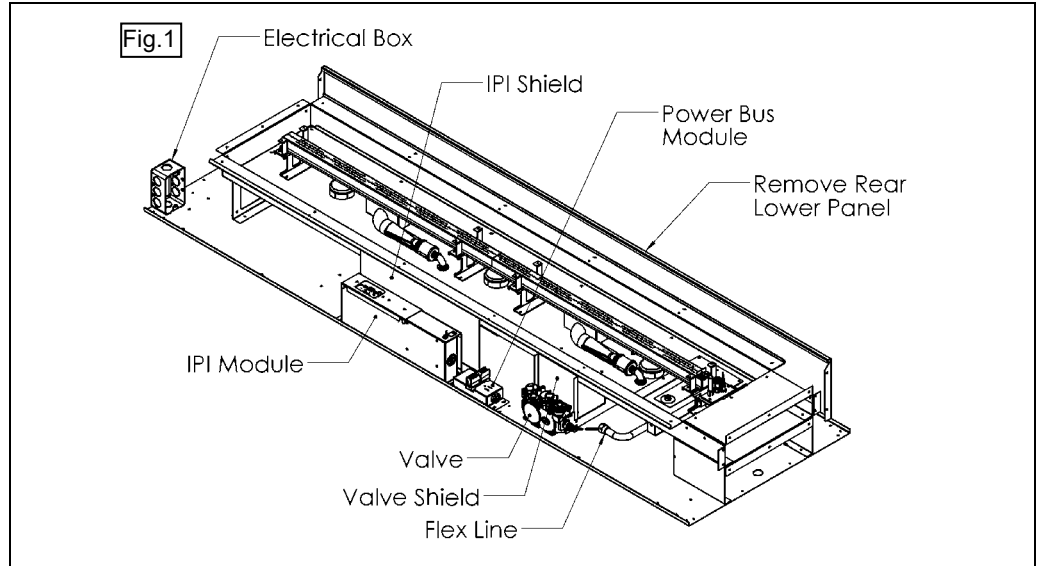
1. Remove the Burner Tube (See **Burner Tube Removal** section in this Manual).
2. Disconnect plumbing from the valve, including connections to Pilot. Remove the [4] DT screws in the burner pan which hold the Valve System in place. Reinstall with the Valve System on the other side of the fireplace. Note that as stated in **Fig.2**, the millivolt valve system can be transferred to the right side without rotation, while the **IPI valve system must be rotated 180°** for proper operation on the right side of the unit.

Note: Take care not to damage the pilot tube during this operation.

MQRB6961: Wires and plumbing must not interfere with explosion damper assembly.

Reconnect plumbing, along with Pilot. **These connections must be leak tested.**

3. Remove the Electrical Box and Light Power Bus Module (and IPI Module & IPI Shield if used), and locate these items to the other side of the unit. Refer to **Fig.3 & Fig.4** below.
4. Replace the Burner Tube.

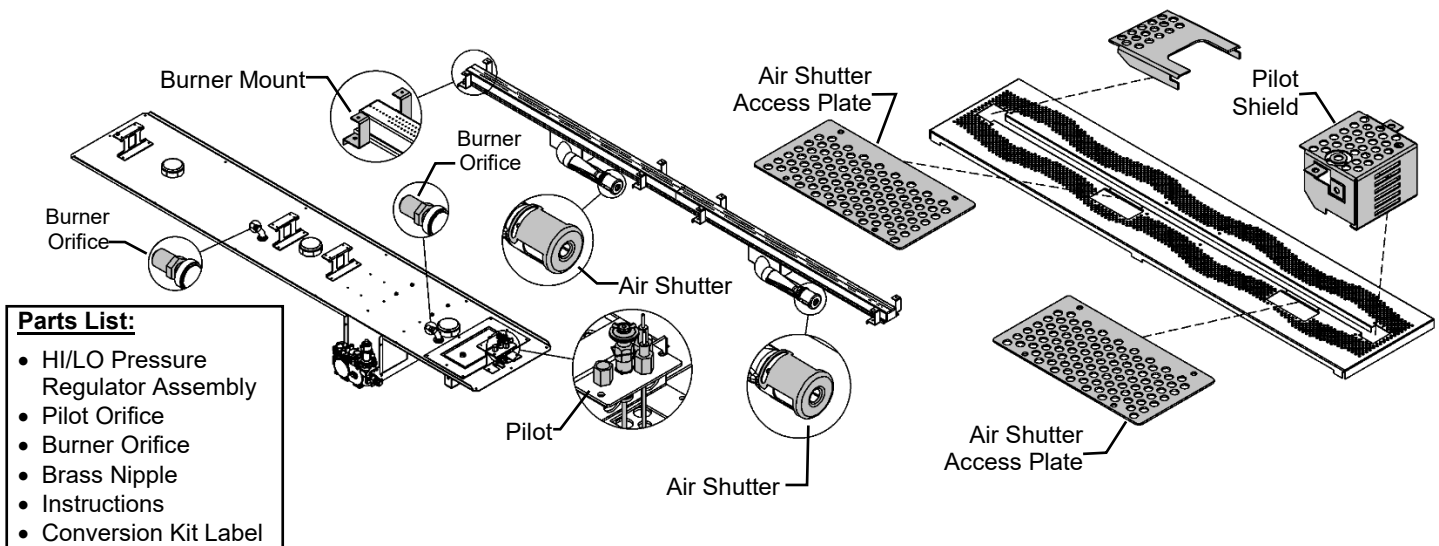


MQRB6961 Burner Section: Gas Conversion

Models: MQRB6961N, MQRB6961LP, MQRB6961NE, MQRB6961LPE, MQRB6961NE2, MQRB6961LPE2

Kit Number	Description	Pilot Orifice	Burner Orifice Brass (1000-255)	Brass Nipple	Air Shutter	Hi/Lo Regulator
6961MQ-CKLP	Propane Conversion- Mv	1001-P167SI #30 (977.167)	#49 x 2	1000-253 closed nipple	Full Open	1001-P202SI (0.907.202)
6961MQ-CKNG	NG Conversion -Millivolt-	1001-P165SI #51 (977.165)	#34 x 2	1000-253 closed nipple	1/16"	1001-P201SI (0.907.201)
6961MQ-CKLPI	Propane Conversion- Mv	1001-P168SI #35 (977.168)	#49 x 2	1000-253 closed nipple	Full Open	1002-P014SI (0.907.014)
6961MQ-CKLP2	Propane Conversion- Mv	1001-P168SI #35 (977.168)	#49 x 2	1000-253 closed nipple	Full Open	1002-P012SI (907.012)
6961MQ-CKNGI	NG Conversion -IPI-	1001-P166SI #62 (977.166)	#34 x 2	1000-253 closed nipple	1/16"	1002-P016SI (0.907.016)
6961MQ-CKNG2	NG Conversion -IPI-	1001-P166SI #62 (977.166)	#34 x 2	1000-253 closed nipple	1/16"	1002-P013SI (907.013)

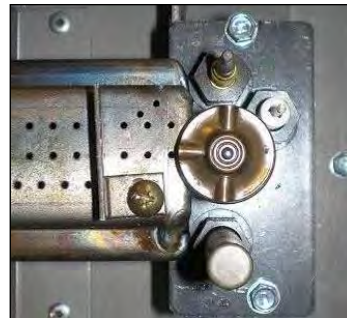
IMPORTANT: Always check for gas leaks with a soap and water solution. DO NOT USE OPEN FLAME FOR LEAK TESTING.



⚠ Caution:

The gas supply shall be shut off prior to disconnecting the electrical power, before proceeding with the conversion.

1. The Burner Tube must be removed from the Burner Pan Assembly (See **Burner Tube Removal**). Adjust the Air Shutter to the correct Primary Air setting as specified in the manual or on the label plate. To adjust the Primary Air setting, loosen screw on the side of the Air Shutter and rotate to the correct opening using a drill bit or tape measure. Retighten screw.
2. Remove the Main Orifice using a 1/2" wrench and replace with the new Conversion Orifice which came with the Conversion Kit.
3. Replace the Burner Tube. Install the new Pilot Orifice (See **Pilot Conversion**) and Hi/Lo valve regulator by following instructions supplied with the Conversion Kit.



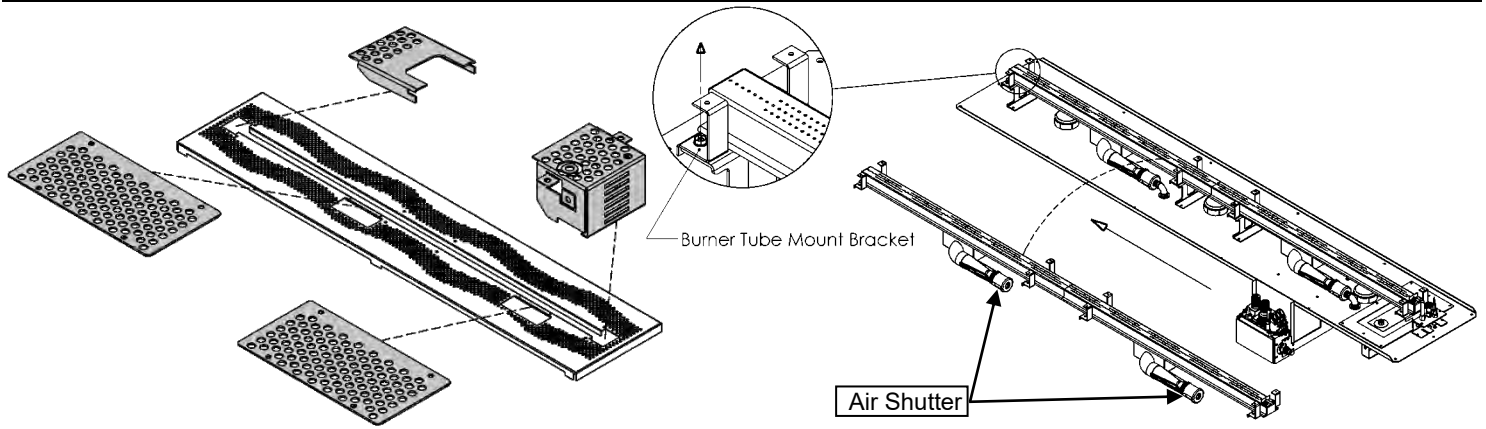
Pilot Must Maintain This Relationship With Burner.

⚠ -Warning-

This conversion kit shall be installed by a qualified service agency in accordance with the manufacturer's instructions and all applicable codes and requirements of the authority having jurisdiction. If the information in these instructions is not followed exactly, a fire, explosion or production of carbon monoxide may result causing property damage, personal injury or loss of life. The qualified service agency is responsible for the proper installation of this kit. The installation is not proper and complete until the operation of the converted appliance is checked as specified in the manufacturer's instructions supplied with the kit.

Refer to "Gas Specifications Chart" for inlet pressures and input ratings. Clock meter to verify input rate. Place conversion label as close to converted gas control as possible. Refer to lighting instructions to verify the normal operating sequence of the ignition system.

MQRB6961 Burner Tube Removal



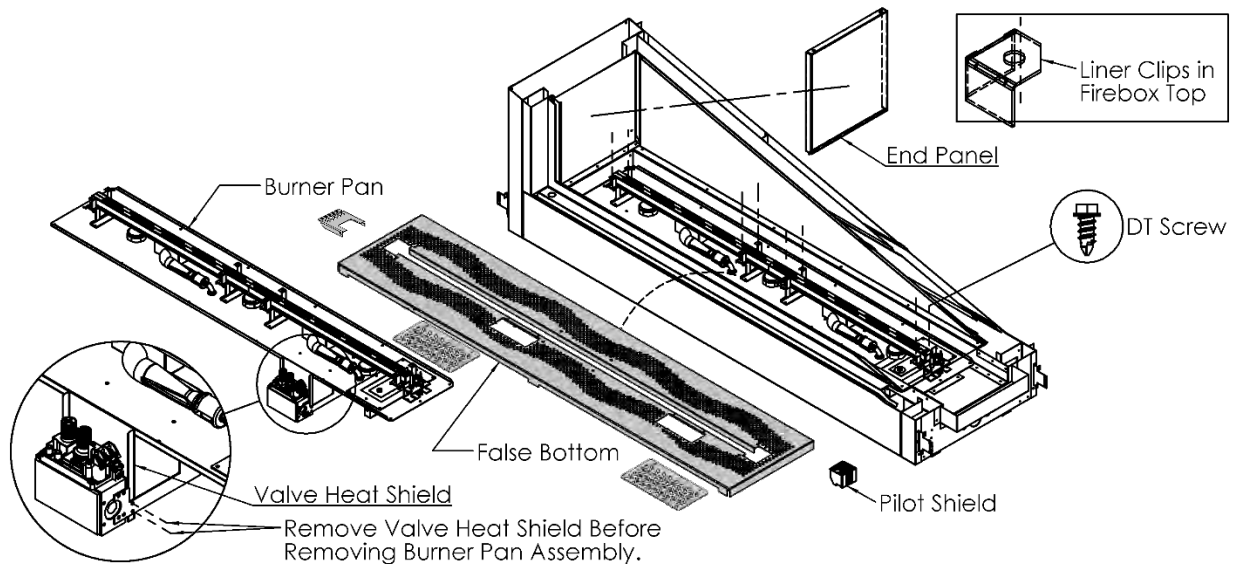
1. Remove False Bottom from fireplace.
2. Remove the six [8] DT screws from the lower portion of the Burner Tube Mount Brackets.
3. Slide the Burner Tube away from the Plumbing Connection until it disengages from the orifices.
4. Reverse these steps to reinstall.

MQRB6961- Installer's Note: If flames appear higher or lower at one end of the unit, the primary air can be adjusted on one of the two mixing sleeves to even the flame. Closing the air shutter slightly will result in a taller flame on that side of the fireplace.

MQRB6961 Burner System Removal/Installation Guide

⚠ -Warning-

Turn off Unit and allow to cool before cleaning. Only a Qualified service technician should service and repair this appliance.



1. Remove Valve Heat Shield.
2. Remove the Glass Door from the unit. Loosen Liner Clips in Firebox Top & remove End Panels. Remove DT screws and lift out the False Bottom.
3. Remove the DT screws around the perimeter of the burner pan.
4. Carefully work the burner pan loose & lift the assembly upward to remove it from the firebox cavity.
5. Installation is the reverse of these steps. Ensure that the mounting surface is clean & fresh **Black Mill Pac** is used to reseal the burner pan.

LK2 Halogen Lamp Kit MQRB4436 / MQRB5143

Please follow the current ANSI/NFPA 70 National Electrical Code in the USA and CAN/CSA C22.1 Canadian National Electrical Code in Canada.

SYSTEM NOTES

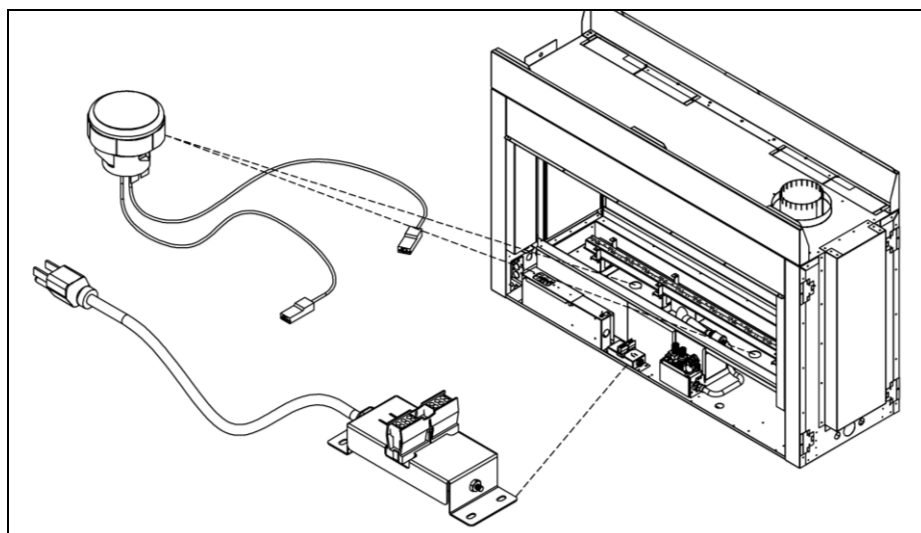
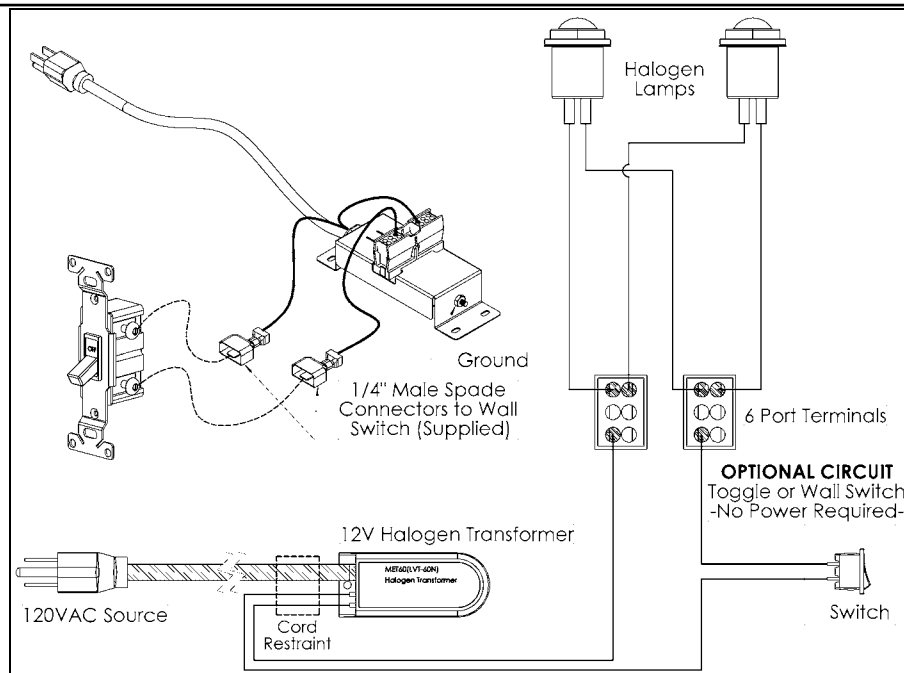
1. Each lamp is running on a dedicated circuit (Parallel circuit). This means that if one bulb fails the other will remain operational.
2. Switch circuit is on low voltage side of transformer.
3. Solid-state transformer is designed to run halogen lamps ONLY.
4. To remove leads from the 6 port terminal, simply insert a pin to release the grip on the wire.

Note: Lightbulbs NOT covered under Warranty.

WARNING

Electrical Grounding Instructions

This appliance is equipped with a three-prong (grounding) plug for your protection against shock hazard and should be plugged directly into a properly grounded three-prong receptacle. Do not cut or remove the grounding prong from this plug.



LK3 Halogen Lamp Kit (MQRB6961)

Please follow the current ANSI/NFPA 70 National Electrical Code in the USA and CAN/CSA C22.1 Canadian National Electrical Code in Canada.

SYSTEM NOTES

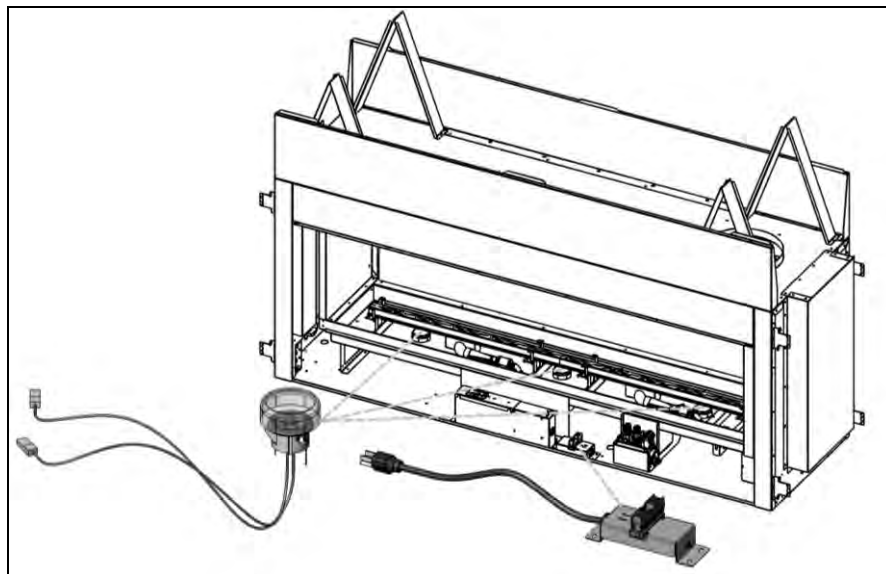
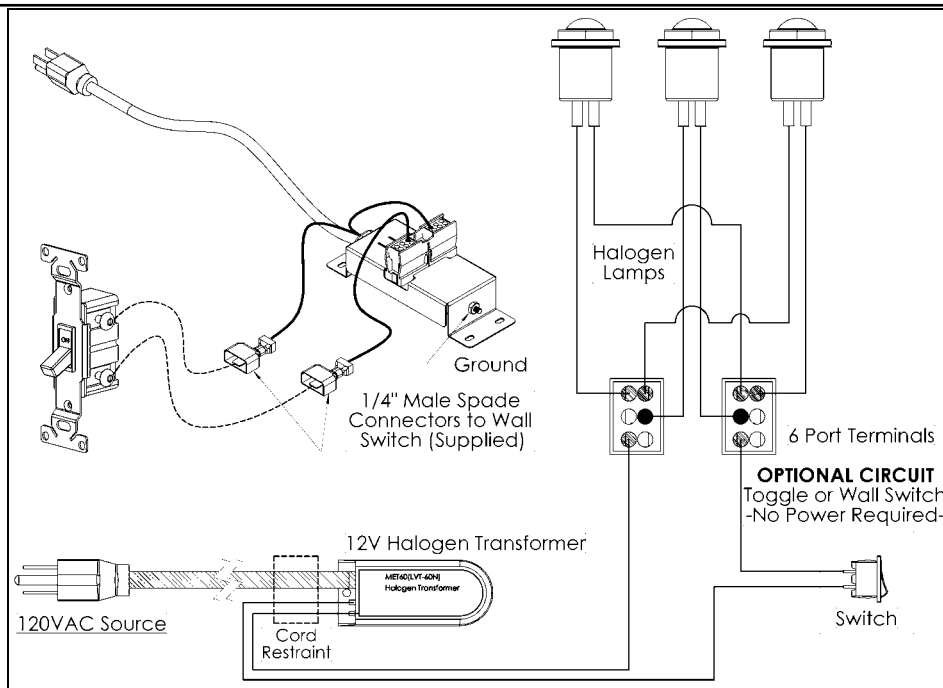
1. Each lamp is running on a dedicated circuit (Parallel circuit). This means that if one bulb fails the rest will remain operational.
2. Switch circuit is on low voltage side of transformer.
3. Solid-state transformer is designed to run halogen lamps ONLY.
4. To remove leads from the 6 port terminal, simply insert a pin to release the grip on the wire.

Note: Lightbulbs NOT covered under Warranty.

WARNING

Electrical Grounding Instructions

This appliance is equipped with a three-prong (grounding) plug for your protection against shock hazard and should be plugged directly into a properly grounded three-prong receptacle. Do not cut or remove the grounding prong from this plug.

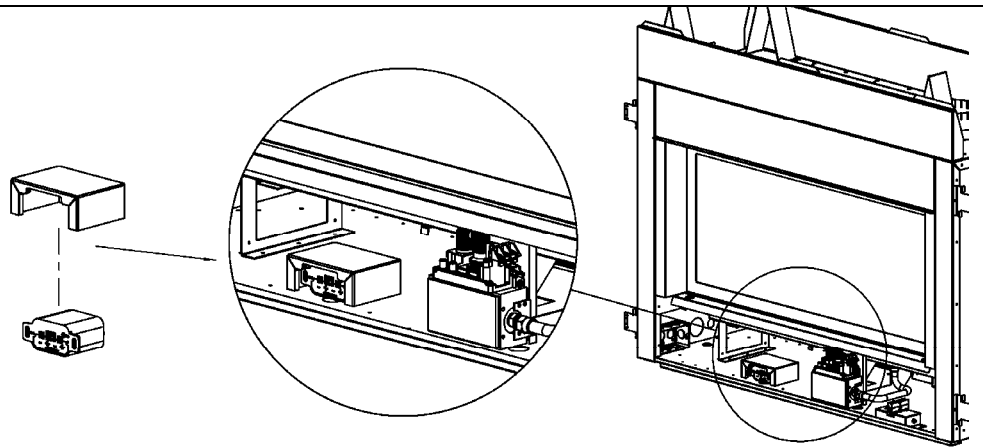


Remote Receiver Location

For GT Series Remotes Only

The Remote Receiver may be located inside of the unit- several inches to the left of the valve and near the front of the appliance.

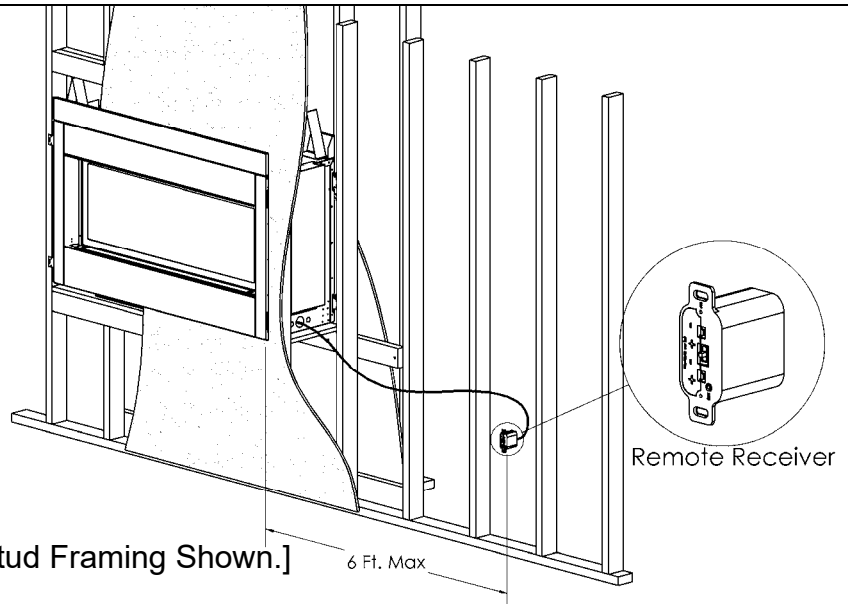
The Remote Receiver **MUST** be covered by the DCHS (Remote Control Heat Shield- see Parts List in manual).



For All IPI Installations & GT Series Remotes Only

The Remote Receiver may be located outside of the unit- up to a maximum of 6 feet from either side of the fireplace. An Extension Harness (Part No. 1001-P904SI) is required.

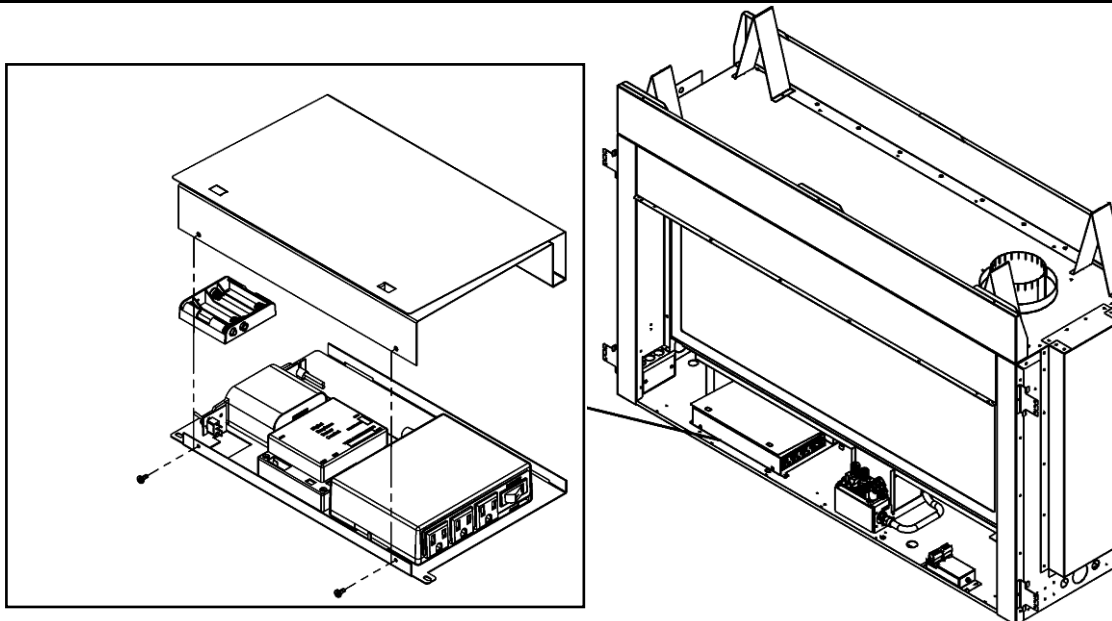
The face of the Remote Receiver must be accessible for programming the remote as well as changing the batteries.



IPI Electronic Ignition System

SYSTEM NOTE:

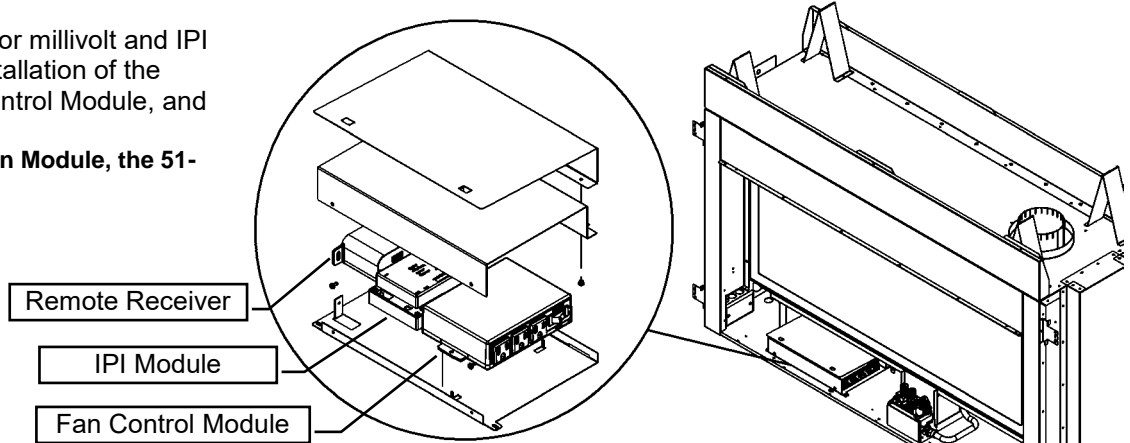
In the event of an operational lockup the IPI system must be reset by removing the batteries from both the backup pack and the remote receiver module.



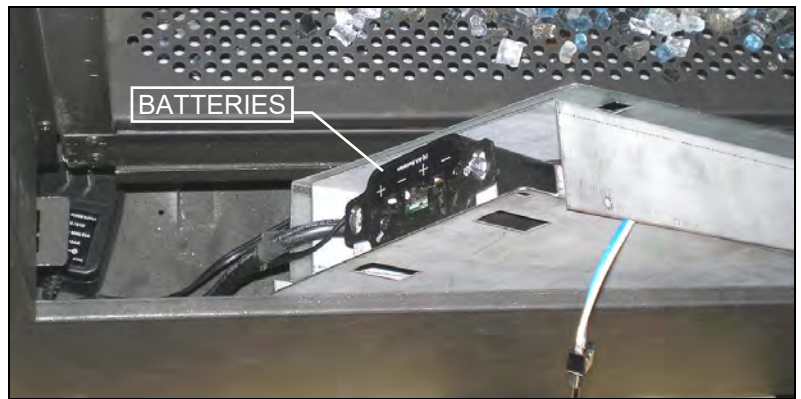
51-UHS For Infinite Series MQRB4436, MQRB5143, MQRB6961

The 51-UHS is designed for millivolt and IPI Infinite units for in-unit installation of the Remote Receiver, Fan Control Module, and the IPI Module.

NOTE: When using GTF Fan Module, the 51-UHS must be used.



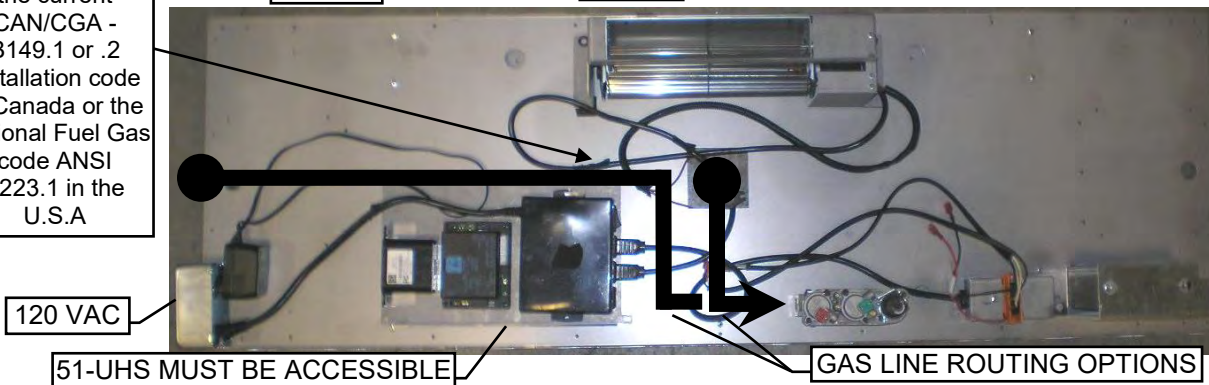
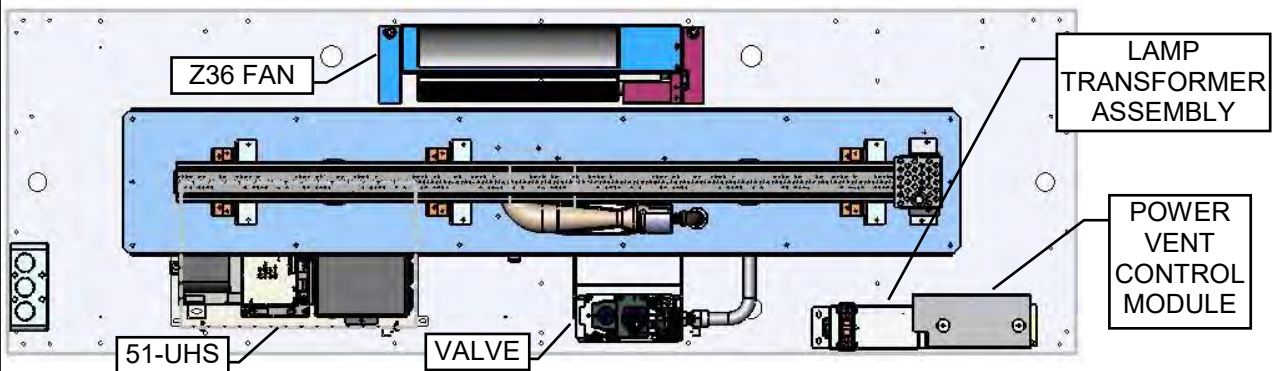
51-UHS can be inserted & removed from beneath fireplace through access panel opening (Remove glass door first).



Batteries for Remote Receiver can be changed by lifting 51-UHS up through opening.

NOTE: The gas line connection may be made of 1/2" rigid pipe or an **Approved Kingsman Flex Connector, such as FP15GC.** Since some municipalities have additional local codes, it is always best to consult your local authorities and the current CAN/CGA - B149.1 or .2 installation code in Canada or the National Fuel Gas code ANSI Z223.1 in the U.S.A

COMPONENT LOCATIONS (See Each Section For Connections & Wiring)



IPI Electronic Ignition System

Overview

The IPI system is an advanced burner controller that provides you with the option of having either a Standing-Pilot, or an intermittent igniting system. This alternating mode is controlled by the CPI/IPI Switch (Continuous Pilot Ignition/Intermittent Pilot Ignition) located on the IPI System Box. The difference between a Standing-Pilot and an Intermittent-Pilot is in whether the pilot stays lit or shuts off:

In Standing-Pilot, the pilot assembly is lit by the IPI Main Module and continues to stay lit until 1) the CPI/IPI Switch is switched to the IPI position; 2) a loss of electrical power (battery and AC source), 3) the flame sensor loses its signal, 4) the fuel supply discontinues, or 5) the IPI Main Module malfunctions.

In the Intermittent-Pilot mode, the pilot shuts off when the appliance is not in use. The advantage of this mode is that fuel is not consumed when the fireplace is not operating.

NOTE: In some jurisdictions Intermittent-Pilot is required. That means the pilot cannot remain lit when the appliance is not operating.

Components

The core of the IPI system is the Main Module and the IPI Valve. With these two components the system is able to operate a gas fireplace. There are also other components available to complement the IPI system.

IPI System Cover: Is essential in keeping the components at their proper operating temperatures. **DO NOT OPERATE THE APPLIANCE WITHOUT THIS COVER.**

Modulating Servo Motor: Is an add-on valve component that permits HI/LO functionality to be controlled by the remote. Contrary to this feature is a Manual HI/LO Control Knob. The Modulating Servo Motor requires the Remote system to be present.

Backup Battery Pack: This component permits the IPI system to operate without the need for an external AC Adapter power source. The advantage to using the battery backup is that in the case of a power failure, the appliance is still operable.

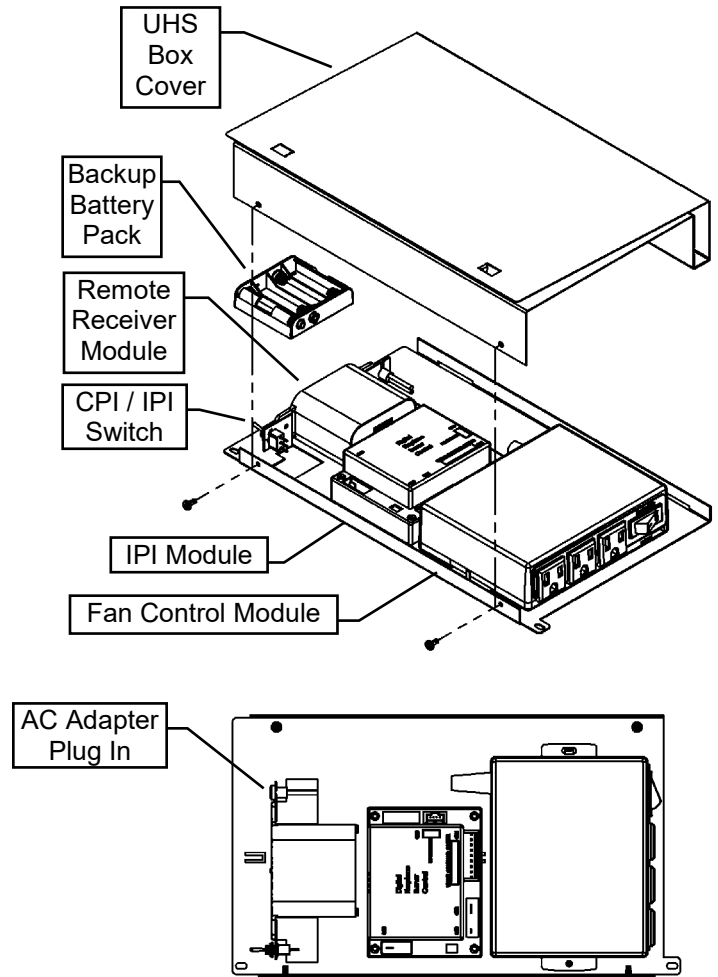
NOTE: In certain instances the IPI Main Module requires resetting. This can occur if the system is unable to ignite the pilot or the main burner in the allotted time period. The IPI is programmed to lockout all commands. To reset this lockout you must deplete the system of all electrical power. This means to remove the batteries from the Battery Pack, remove the batteries from the Remote Receiver (if applicable), and disconnect the AC Adapter from the system. Leave the power off for approximately 25 seconds to clear its lockout.

Remote Receiver: This component provides the capability of controlling the appliance with a wireless remote transmitter.

Standing Pilot Mode for Colder Climates (Below Freezing)

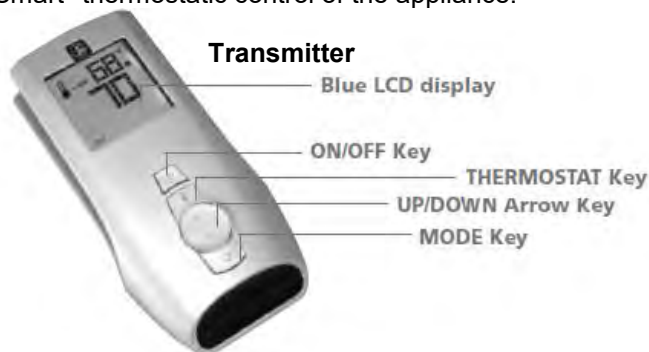
For IPI models it may be necessary to set the appliance to Standing Pilot mode to maintain heat in the cavity. The purpose of this procedure is to prevent cold air from penetrating the chimney and then onto the living space. Therefore, when the internal temperature is slightly elevated the fireplace is able to freely exhaust its combustion and hence making it easier to startup.

NOTE: The pilot system for this appliance may be equipped with a Seven Day Timer, in which case the pilot flame will be extinguished if the main burner has not been turned ON for seven days. This Seven Day Cycle is reset every time the main burner is cycled ON / OFF and the pilot remains lit. If more than seven days has passed since the main burner has been cycled ON / OFF and the pilot is also out, follow the procedures described in this manual to light the pilot.



Proflame 1 -Remote Control Operation-

The Proflame GTM is configured to control the on/off main burner operation, its flame levels, and provides on/off and Smart *thermostatic control of the appliance.



Transmitter

The Transmitter is powered by 3 AAA type batteries. A Mode Key is provided to Index between the features and a *thermostat Key is used to turn on/off or index through *thermostat functions

Remote Receiver

The Receiver connects directly to the gas valve and stepper motor with a wiring harness. The Receiver is powered by 4 AA type batteries. The Receiver three position slider switch can be set to one of three positions: ON (Manual Override), Remote (Remote control) or Off.

Initializing the System for the first time

Install 4 AA batteries into the receiver battery bay. Install 3 AAA type batteries in the Transmitter battery bay. Place the 3 position slider switch in the "Remote" position. Insert the end of a paper clip into the hole marked "PRG" on the Receiver front cover. The Receiver will "beep" three (3) times to indicate that it is ready to synchronize with a Transmitter. Push the On button. The Receiver will "beep" four times to indicate the Transmitter's command is accepted. The system is now initialized.

Temperature indication Display

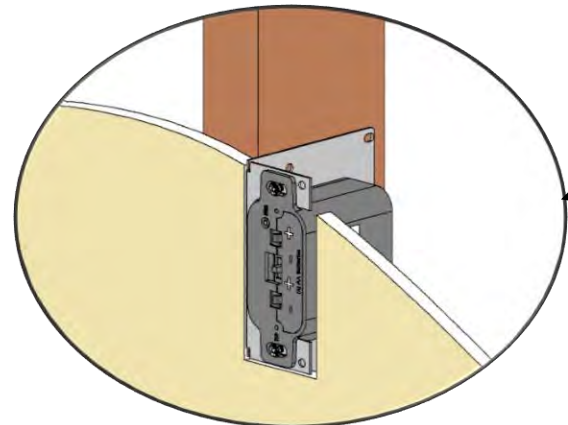
With the system in the "OFF" position, press the *thermostat Key and the Mode Key at the same time. Look at the LCD screen on the Transmitter to verify that a C or F is visible to the right of the Room Temperature display.

Turn the Appliance On or Off

Press the ON/OFF Key on the Transmitter

Remote Flame Control

The Proflame GTM has six (6) flame levels. Pressing the Down Arrow Key once will reduce the flame height by one step until the flame is turned off. The Up Arrow Key will increase the flame height each time it is pressed. If the Up Arrow Key is pressed while the system is on but the flame is off, the flame will come on in the high position.



Room *thermostat (Transmitter Operation)

The Remote Control can operate as a room *thermostat. To activate this function, press the *thermostat Key. The LCD display on the Transmitter will change to show that the room *thermostat is "ON" and the set temperature is now displayed. To adjust the set temperature, press the Up or Down Arrow Keys until the desired set temperature is displayed on the LCD screen of the Transmitter.

Smart *thermostat (Transmitter Operation)

The Smart *thermostat function adjusts the flame height in accordance to the difference between the set point temperature and the actual room temperatures. As the room temperature gets closer to the set point the Smart Function will modulate the flame down. To activate this function, press the *thermostat Key until the word "SMART" appears to the right of the temperature bulb graphic. To adjust the set temperature, press the Up or Down arrow Keys until the desired set point temperature is displayed.

Key Lock Function

This function will lock the keys to avoid unsupervised operation. To activate this function, press the MODE and the UP Arrow Key at the same time. To de-activate this function, press the MODE and the UP Arrow Key at the same time.

Low Battery Detection

Transmitter - When the Transmitter batteries are low, a Battery Icon will appear on the LCD display of the Transmitter.
Receiver - When the Receiver batteries are low, No "beep" will be emitted from the Receiver when it receives an On/Off command from the Transmitter. When the batteries are replaced the "beep" will be emitted from the Receiver when the ON/OFF Key is pressed (See Initializing the System for the first time).

Manual Bypass Of The Remote System

If the batteries of the Receiver or Transmitter are low or depleted, the appliance can be turned on manually by sliding the three position slider switch on the Receiver to the ON position. This will bypass the remote control feature and the appliance main burner will come on if the gas valve is in the "On" position.

Wall Mount Option

10ft. Extension Harness (Part No. 1001-P904SI) required.

- The Remote Receiver can be mounted on a vertical wall stud using the DCHS as a mounting bracket.
- Ensure that the face is protruding 1/2" so that the face plate will be flush on the face of the wall.
- Drywall cutout size is 2" wide by 4-1/8" tall.
- Must be installed within 10ft of valve assembly (6ft recommended).

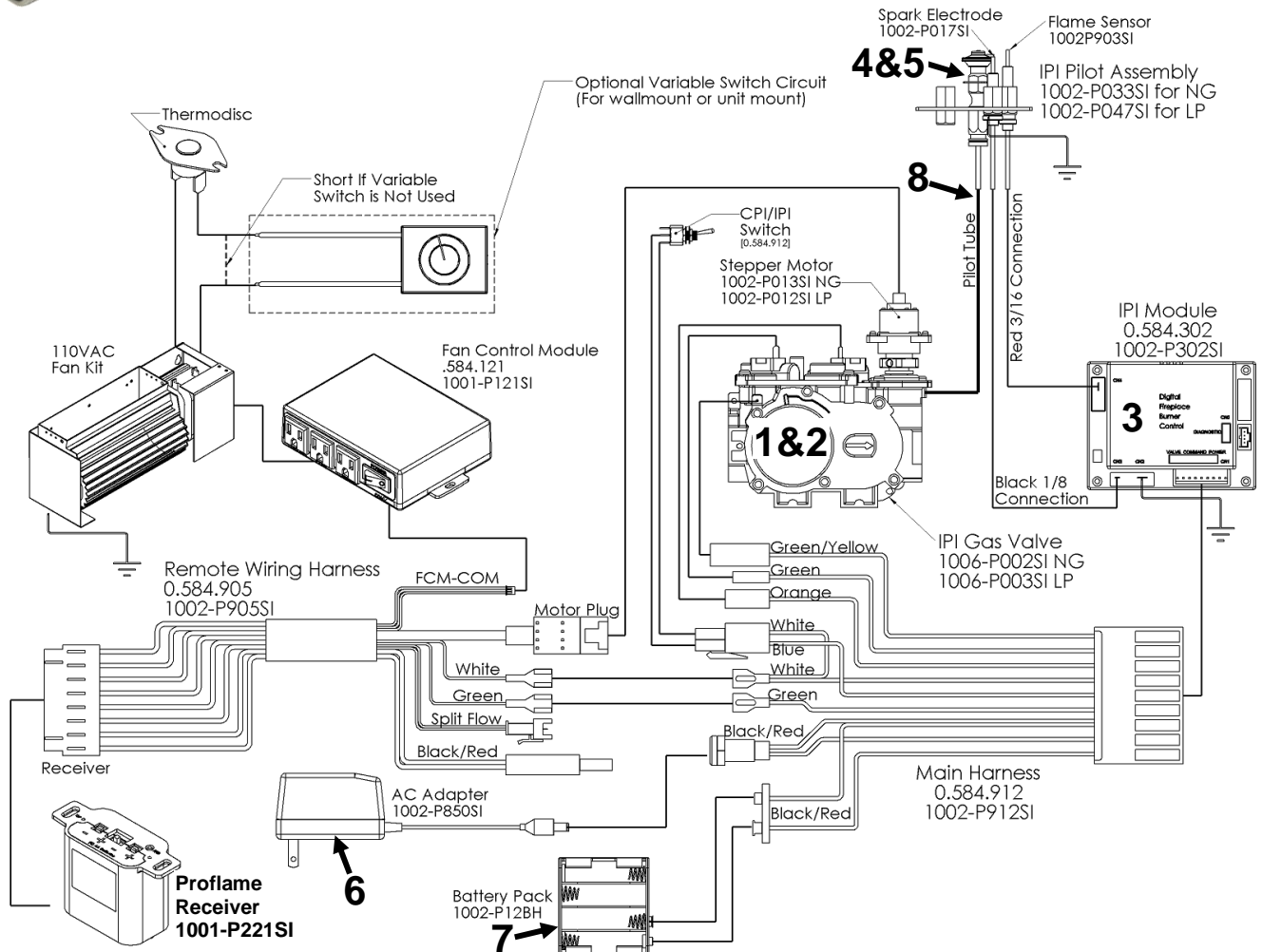
PART NO.	DESCRIPTION
1. 1006-P002SI	Valve IPI Hi/Lo NG
2. 1006-P003SI	Valve IPI Hi/Lo LP
3. 1002-P302SI	IPI Ignition Board
4. 1002-P047SI	Pilot Assembly-LP -24" Wire
5. 1002-P033SI	Pilot Assembly-NG -24" Wire
6. 1002-P850SI	AC Wall Adapter
7. 1002-P12BH	Battery Pack
8. 1001-P280SI	TC - Tubing W/Fittings 1/8 2.182.280
9. 1001-P166SI	TC - Orifice Pilot NG 977.166 #62 (IPI)
10. 1001-P168SI	TC - Orifice Pilot LP 977.168 #35 (IPI)

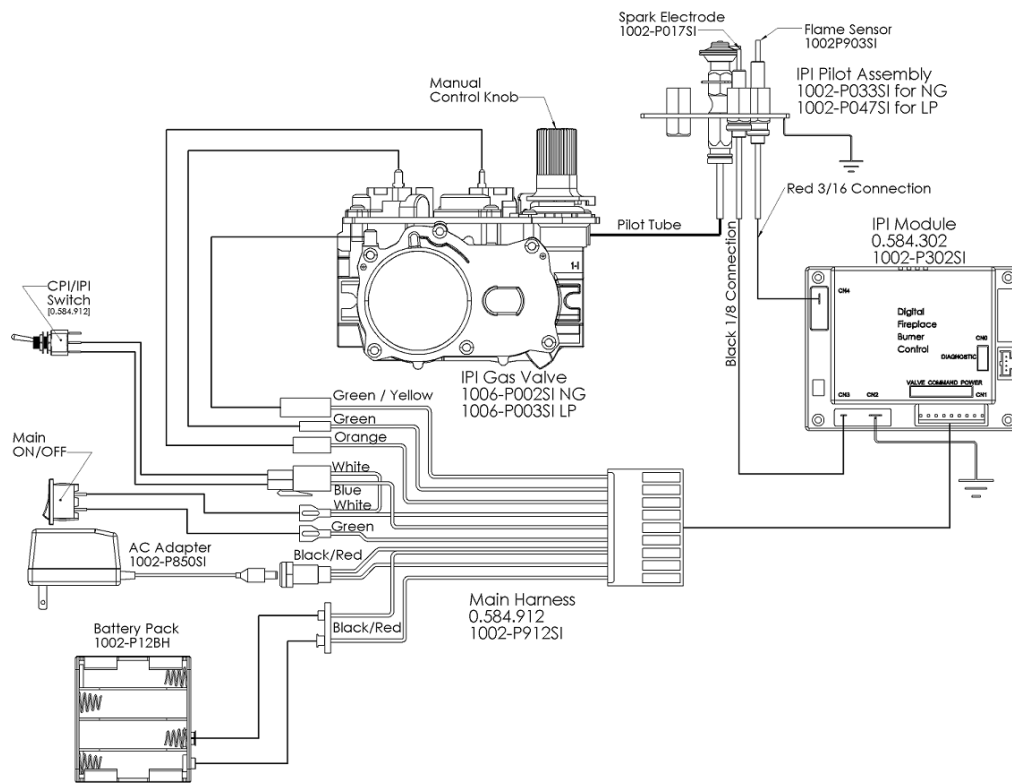
11. 1002-P012SI	IPI Stepper Kit - LP 907.012
12. 1002-P013SI	IPI Stepper Kit - NG 907.013
13. 1002-P014SI	IPI Reg Kit - LP Hi-Lo 907.014
14. 1002-P016SI	IPI Reg Kit - NG Hi-Lo 907.016
15. 1002-P017SI	TC - Electrode Cable & Sparker IPI 915.017 24"
16. 1002-P119SI	TC - Electrode Cable & Sparker IPI 35" (Infinite, ZCVRB47, VRB46)
17. 1002-P903SI	TC - Electrode Flame Sense IPI 007.253/915.903 24"
18. 1002-P910SI	TC - Electrode Flame Sense 35" (Infinite, ZCVRB47, VRB46)



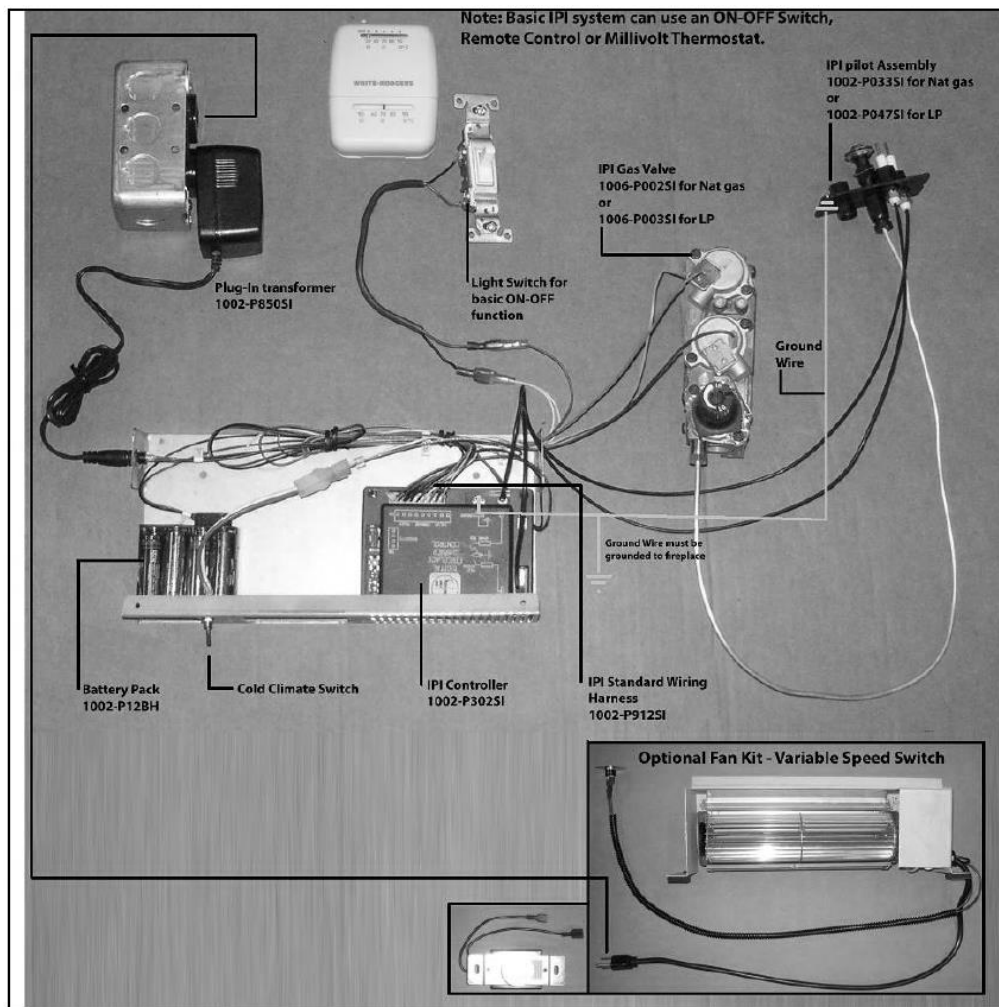
Proflame Transmitter
1001-P023SI

NOTE: Fan and / or Light Options are not available on some fireplaces.
Check with your dealer.





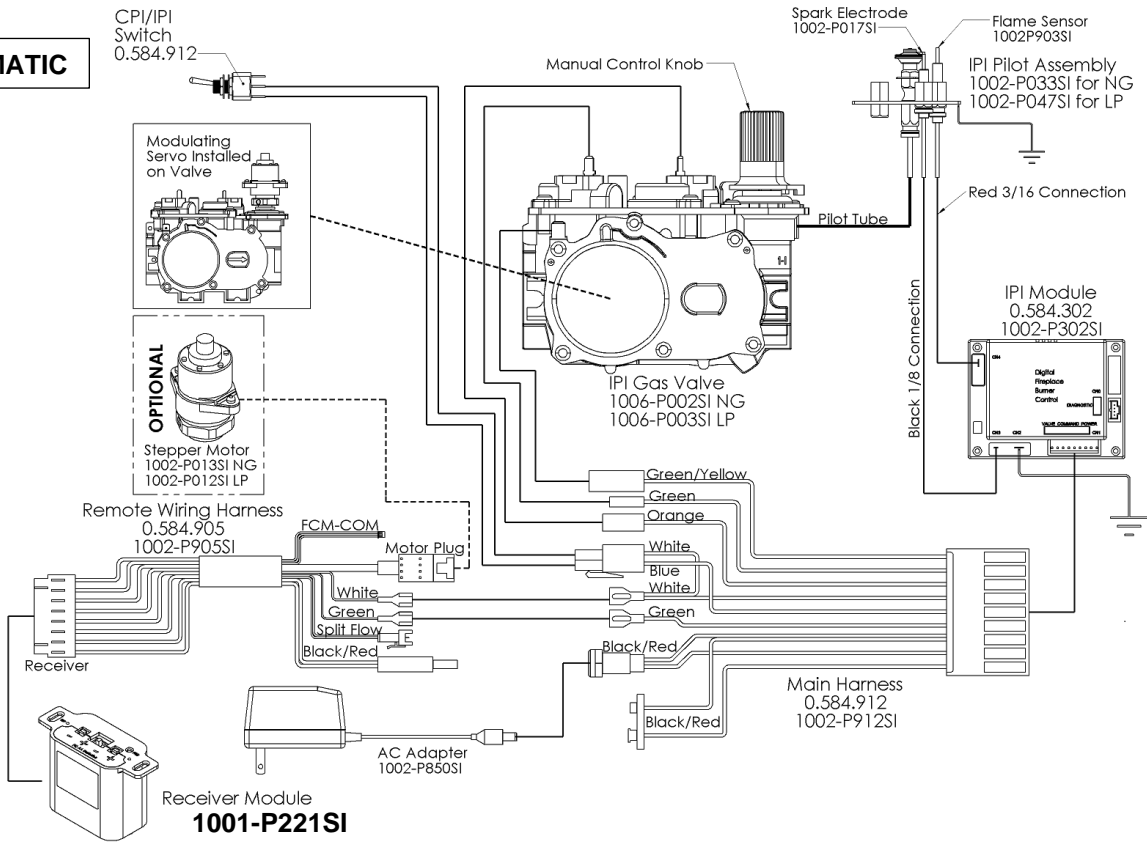
Configuration #1: Basic manual HI/LO and manual ON/OFF capabilities.



Proflame 1- Configuration #2: Remote ON/OFF and Manual HI/LO Capabilities

OPTIONAL: For units with remote HI/LO capabilities, a modulating servo is required to be installed on the valve. The connectors to this servo must be connected to the Remote Harness as shown.

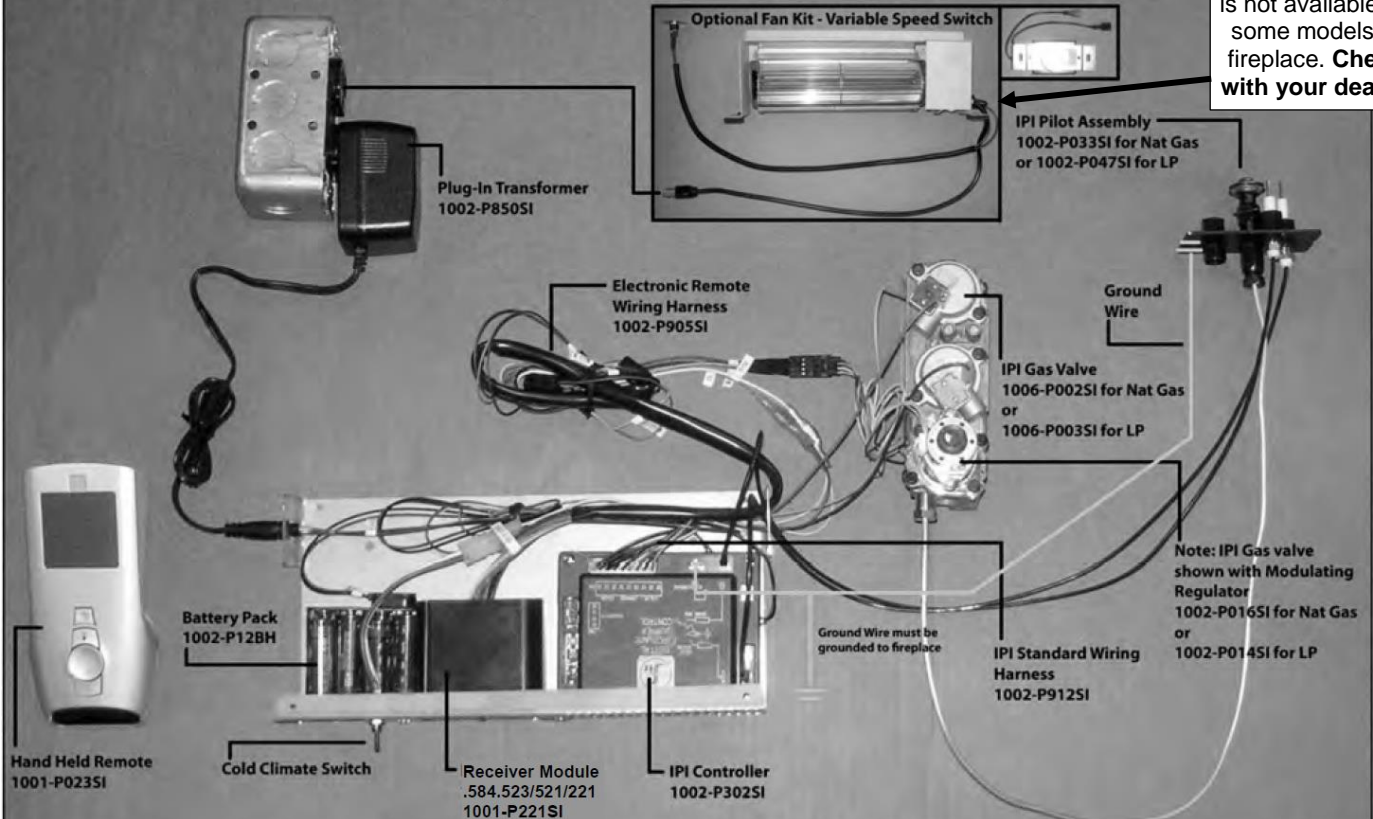
SCHEMATIC



PICTURE

Note: If remote Control is used the battery Pack 1002-P12BH does not need to be used.

NOTE: Fan Option is not available on some models of fireplace. **Check with your dealer.**



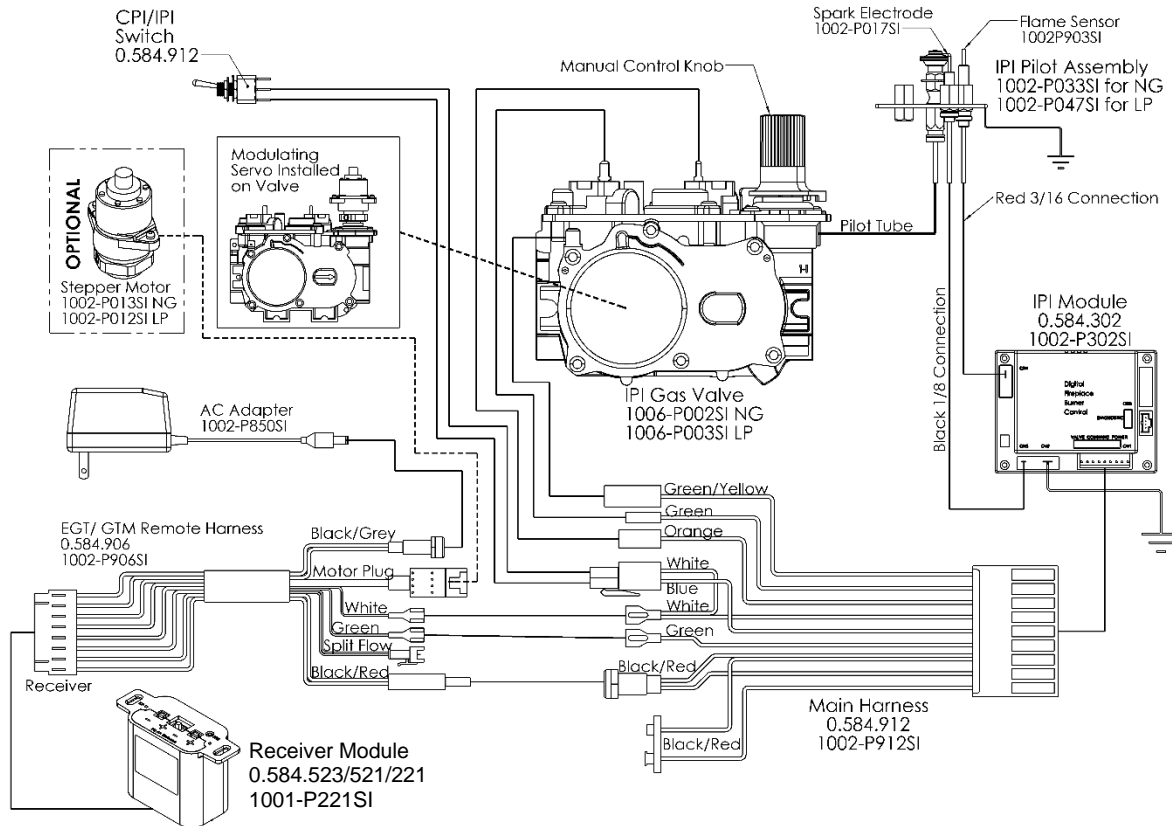
Operating the Receiver Without Batteries for GT / EGT / GTM / EGTM Remote Controls

-Wiring Harness P/N 1002-P906si required for both IPI & Millivolt systems.

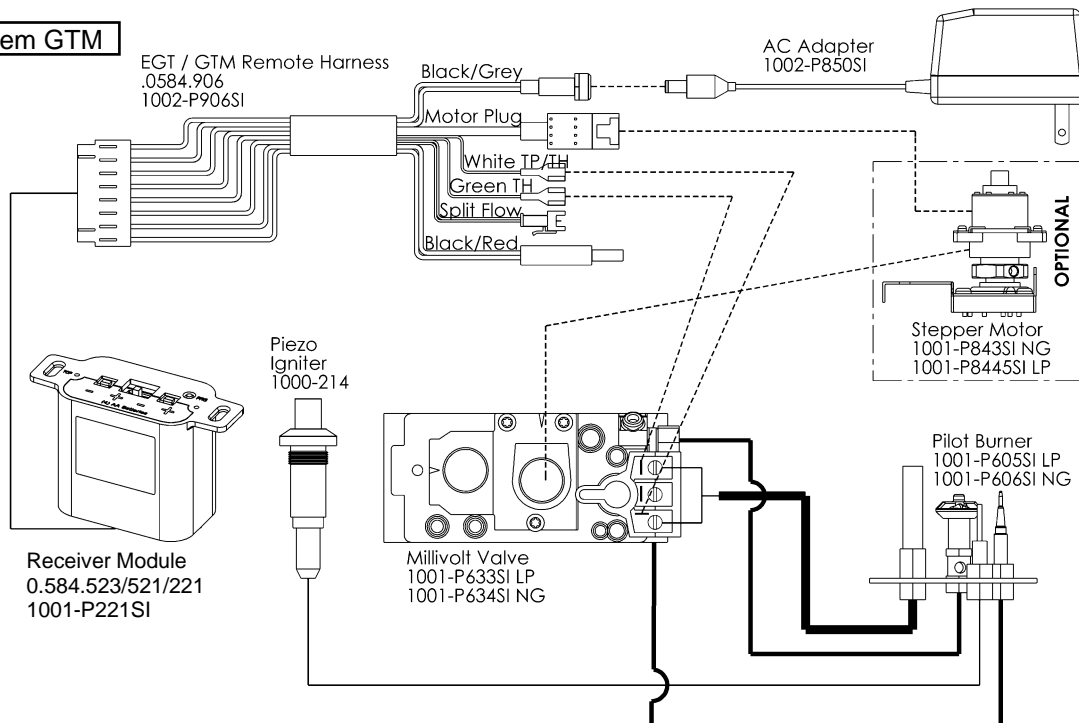
-Millivolt Systems will also require Power Adapter P/N 1002-P850si.

The Remote Receiver & IPI or Millivolt system can be powered by the AC Adapter. This is advantageous if you do not want to use batteries. Simply connect the AC Adapter into the Remote Control Wiring Harness as per the diagrams below.

IPI System EGTM



Millivolt System GTM

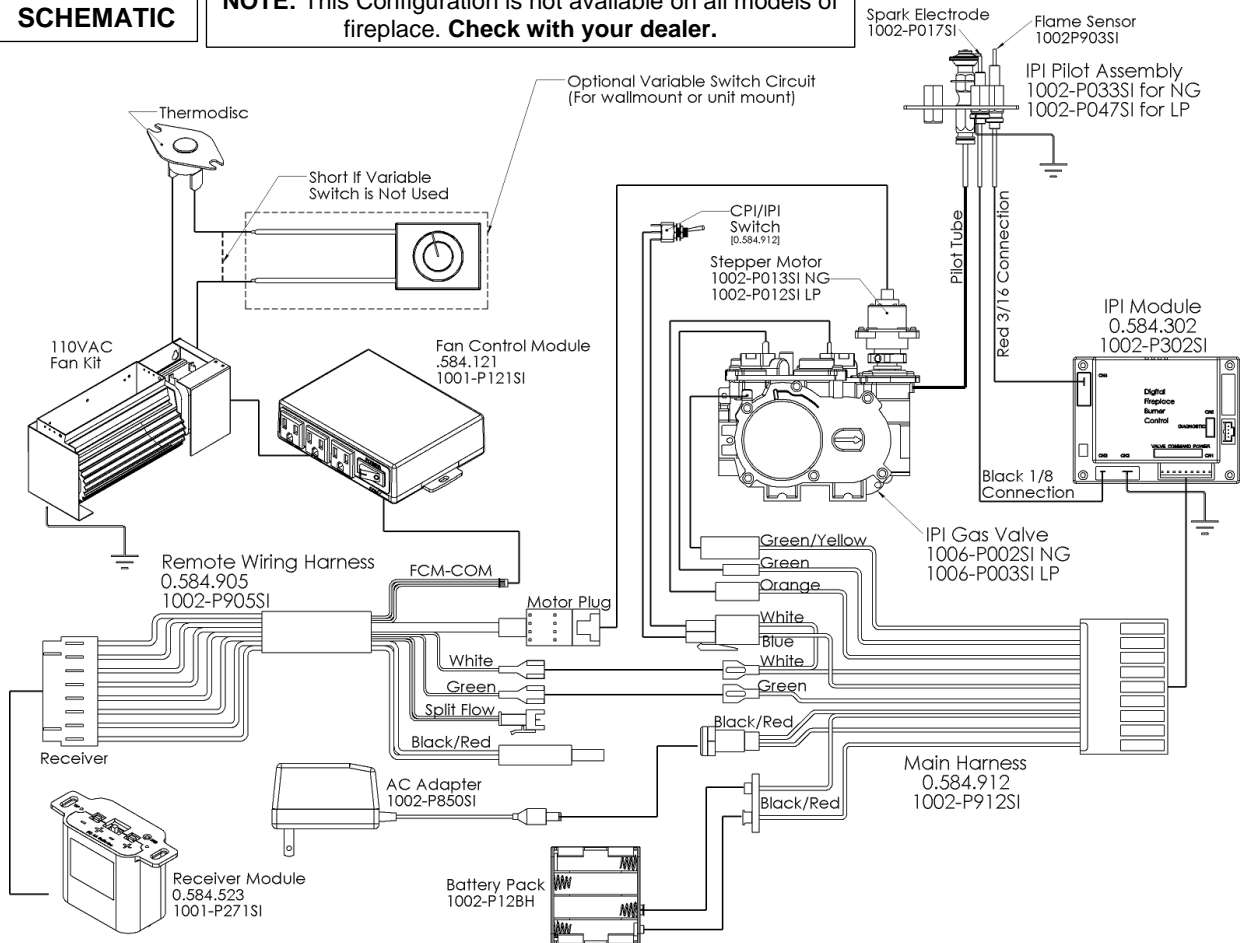


Proflame 1- Configuration #3: Remote ON/OFF, variable HI/LO, and fan capabilities

Refer to the fan installation/removal section for fan installation.

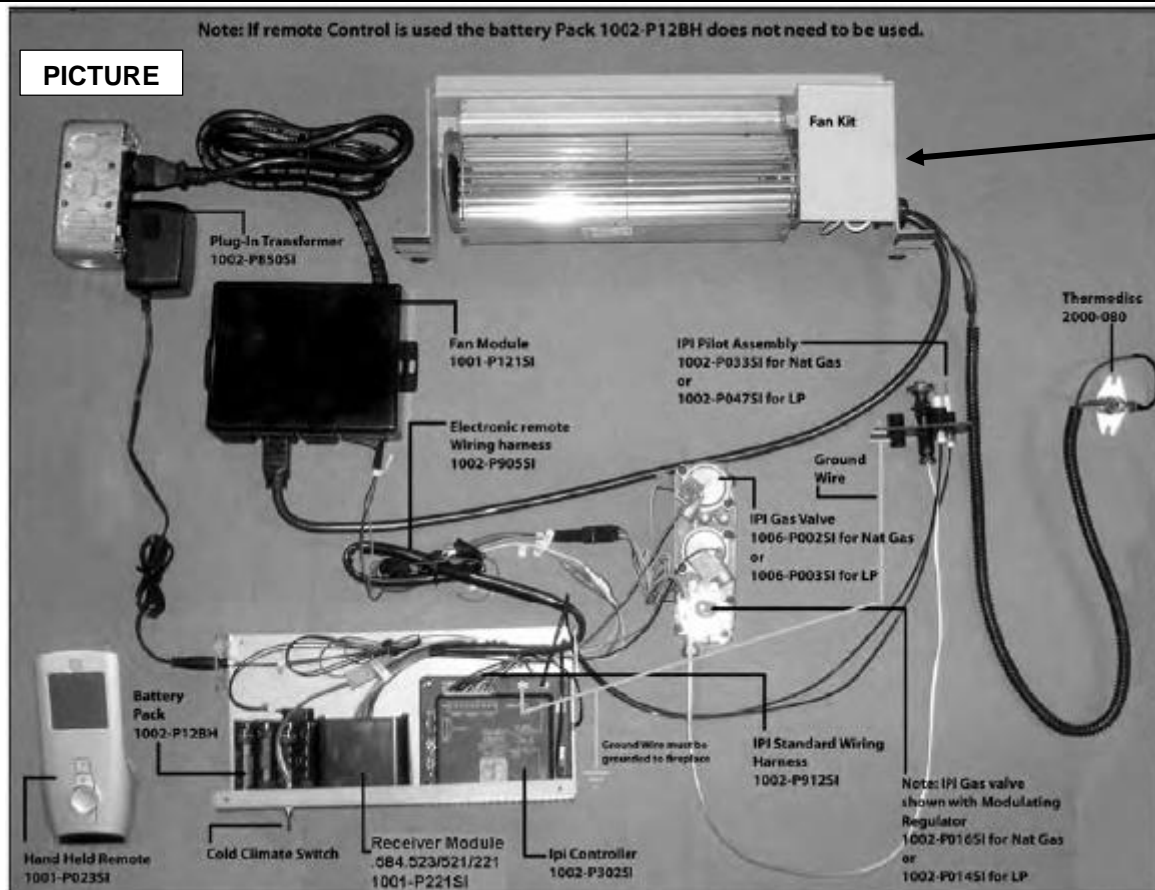
SCHEMATIC

NOTE: This Configuration is not available on all models of fireplace. Check with your dealer.



Note: If remote Control is used the battery Pack 1002-P12BH does not need to be used.

PICTURE



NOTE: Fan Option is not available on some models of fireplace. Check with your dealer.

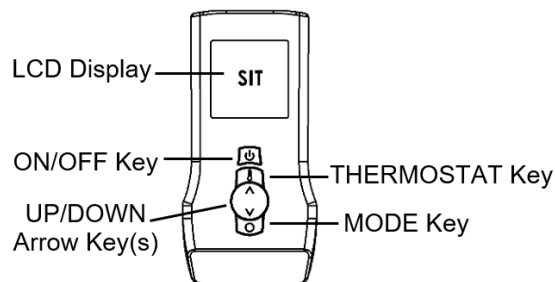
- IPI LIGHTING INSTRUCTIONS - FOR YOUR SAFETY READ BEFORE LIGHTING

WARNING: If you do not follow these instructions exactly, a fire or explosion may result causing property damage, personal injury or loss of life.

- A. This appliance is equipped with an ignition device which automatically lights the pilot. Do not try to light the pilot by hand.
- B. **BEFORE OPERATING** smell around the appliance area for gas. Be sure to smell next to the floor because some gas is heavier than air and will settle on the floor.
- WHAT TO DO IF YOU SMELL GAS
- Do not try to light any appliance.
 - Do not touch any electric switch; do not use any phone in your building.
 - Immediately call your gas supplier from a neighbor's phone. Follow the gas supplier's instructions.
 - If you cannot reach your gas supplier, call the fire department.
- C. Do not use this appliance if any part has been under water. Immediately call a qualified service technician to inspect the appliance and replace any part of the control system and any gas control which has been under water.
- D. If the gas valve requires repair, call a qualified service technician. Force or attempted repair may result in a fire or explosion.

OPERATING INSTRUCTIONS

1. Stop! Read the safety information above on this label.
2. Read the owner's manual including the section on "Remote Control" operation if applicable.
3. Turn off all electric power to the appliance.
4. This appliance is equipped with an ignition device which automatically lights the pilot. Do not try to light the pilot by hand.
5. Wait five (5) minutes to clear out any gas. Then smell for gas, including near the floor. If you smell gas, STOP! Follow "B" in the safety information above this label. If you do not smell gas, go to next step.
6. Turn on all electric power to the fireplace.
7. Turn "On" Switch that operates the Main Burner. For **Remote Control** units, press the ON/OFF key on the remote control. "ON" will be displayed on the LCD display and a "beep" will be heard at the unit to indicate the command has been received.
8. If the appliance will not operate, follow the instructions "To Turn Off Gas To Appliance" and call your service technician or gas supplier.

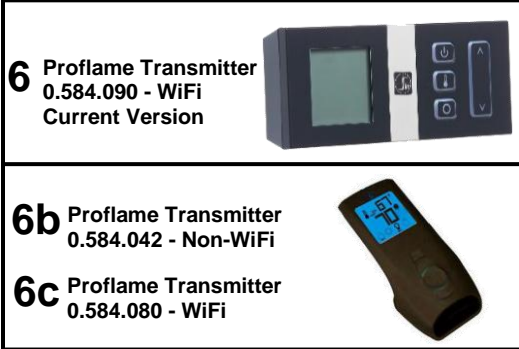


TO TURN OFF GAS TO APPLIANCE

1. Set thermostat to lowest setting. For **Remote Control** units, press the ON/OFF key on the remote control. "OFF" will be displayed on the LCD display and a "beep" will be heard at the unit to indicate the command has been received.
2. Turn off all electric power to the fireplace if service is to be performed.

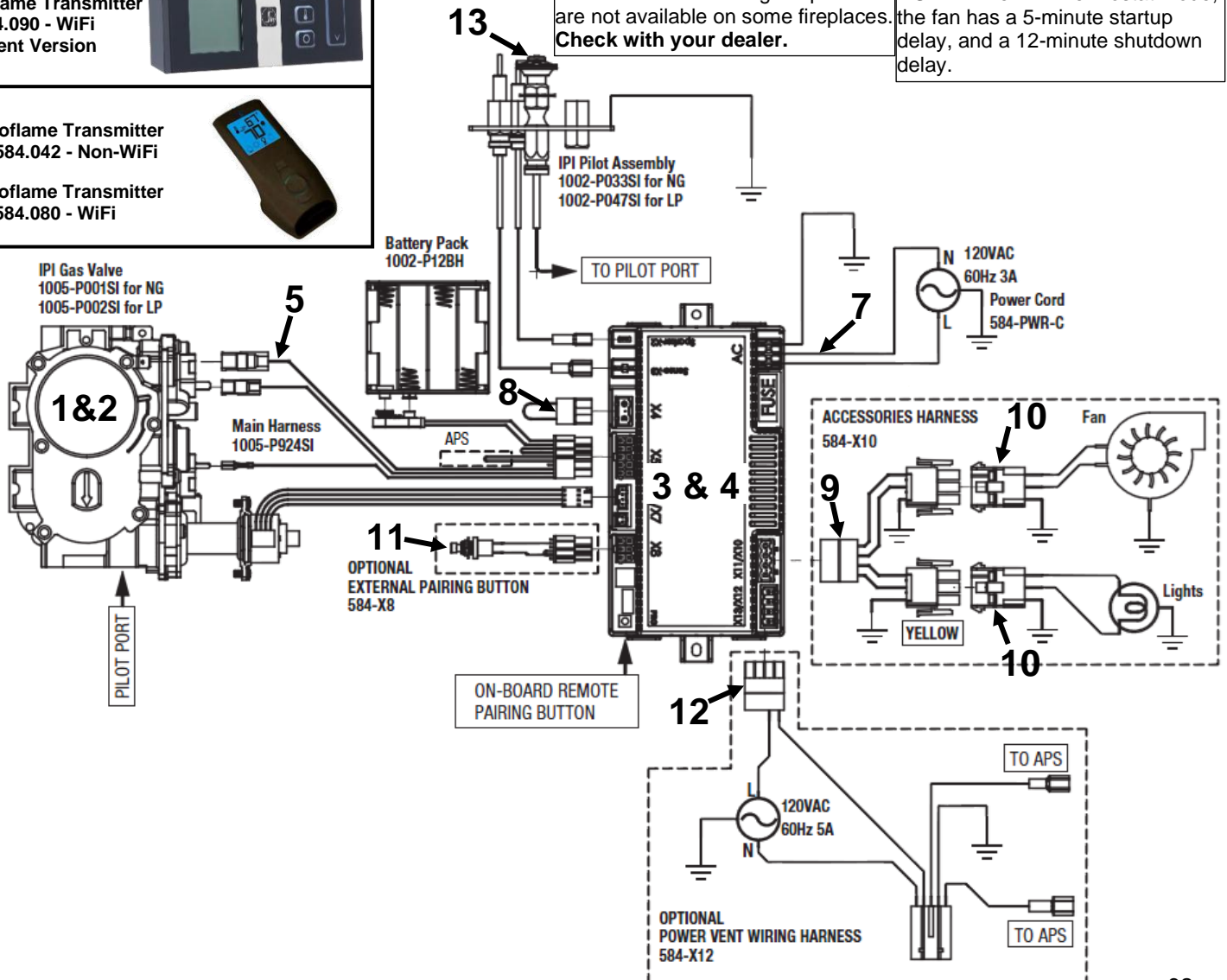
IPI PROFLAME 2 - COMPONENT PARTS		
PART NO.	DESCRIPTION	
1.	1005-P001SI	Valve IPI Proflame PF2 885.001 NG - Stepper
2.	1005-P002SI	Valve IPI Proflame PF2 885.002 LP - Stepper
3.	1005-P325SI	Module IPI - Proflame 2 - 584.325
4.	1005-P627SI	Module IPI – Proflame 2 - Basic - 584.627
5.	1005-P924SI	Harness PF2 - 584.924
6.	GTMFL	Transmitter- PF2 - 584.090 - WiFi Version
6b.	1005-P042SI	Transmitter- PF2 - 584.042 - Non-WiFi Version
6c.	1005-P080SI	Transmitter- PF2 - 584.080 - WiFi Version
For Replacement Transmitters, Replace with Same Part Number		
7.	584-PWR-C	Wire Harness PF2 – Power Cord
8.	584-X4P	Terminal Block
9.	584-X10	Wire Harness PF2
10.	584-ACC01-C	Wire Harness PF2 - Fan/Light
11.	584-X8-B	Wire Harness PF2 - Optional Reset Harness
12.	584-X12	Optional Power Vent Harness

IPI - PF1 and PF2 Common Components			
PART NO.	DESCRIPTION		
13.	1002-P033SI	TC - Pilot Burner IPI (Assembled) NG 199.033	
14.	1002-P047SI	TC - Pilot Burner IPI (Assembled) LP 199.047	
15.	1001-P166SI	TC - Orifice Pilot NG 977.166 #62 (IPI)	
16.	1001-P168SI	TC - Orifice Pilot LP 977.168 #35 (IPI)	
17.	1001-P280SI	TC - Tubing W/Fittings 1/8 2.182.280	
18.	1002-P012SI	IPI Stepper Kit - LP 907.012	P2 CONVERSION
19.	1002-P013SI	IPI Stepper Kit - NG 907.013	
20.	1002-P014SI	IPI Reg Kit - LP Hi-Lo 907.014	P1 CONVERSION
21.	1002-P016SI	IPI Reg Kit - NG Hi-Lo 907.016	
22.	1002-P017SI	TC - Electrode Cable & Sparker IPI 915.017 24"	
23.	1002-P119SI	TC - Electrode Cable & Sparker IPI 35" (Infinite, ZCVRB47, VRB46)	
24.	1002-P12BH	IPI Battery Housing 12bh347-Gr	
25.	1002-P903SI	TC - Electrode Flame Sense IPI 007.253/915.903 24"	
26.	1002-P910SI	TC - Electrode Flame Sense 35" (Infinite, ZCVRB47, VRB46)	

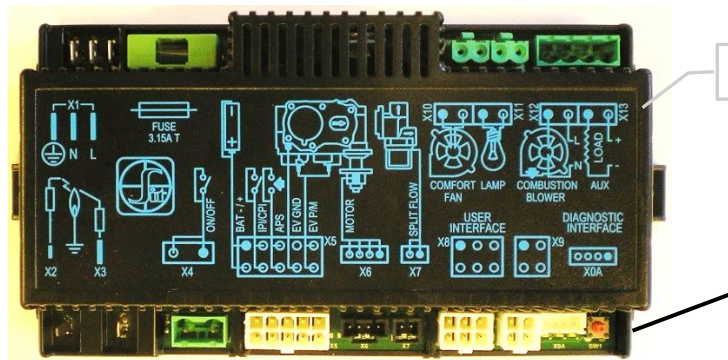
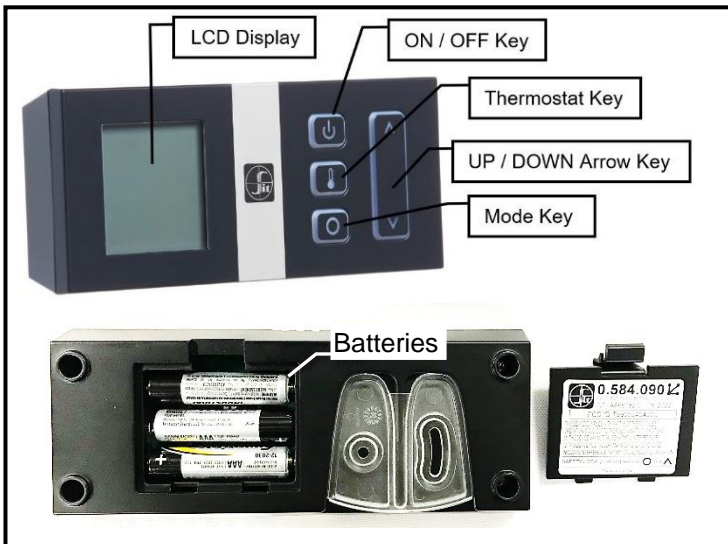


NOTE: Fan and / or Light Options are not available on some fireplaces. **Check with your dealer.**

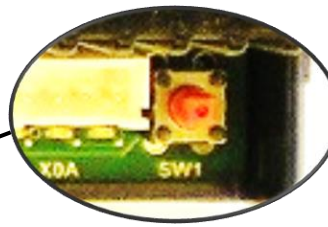
NOTE: When in Thermostat Mode, the fan has a 5-minute startup delay, and a 12-minute shutdown delay.



Proflame 2 IPI - IFC Module and Remote Control



IFC Module



SW1 Button

Pairing Remote Control:

- Install the 3 AAA type batteries in the battery bay, located on the base of the Remote Control. Note polarity of the batteries and insert them as indicated.
- Connect the AC power supply to the IFC Module.
- Press the SW1 button on the IFC Module so the IFC will “beep” and a red LED is illuminated to indicate that the IFC Module is ready to synchronize with a Remote Control within 10 seconds. With the batteries already installed in the Remote Control, push the ON button. The receiver will “beep” four times to indicate the Remote Control’s command is accepted.

The system is now initialized.

Resetting Proflame 2 IFC Module for Manual Use

If the transmitter gets misplaced, is broken, or is no longer wanted the PF2 Module can be reset to a manual system. A manual on/off switch or thermostat may be installed at the X4 connector (this connection is Jumped at the factory) no power is required.

Note: the fireplace accessories (fan, lights) will retain the last settings they had before being reset to manual mode.

The following sequence must be followed to reset the PF2 Module:

- Press the Red **SW1** button until you hear three beeps.

- Within 10 seconds press the **SW1** button again until you hear it beep.
- The PF2 Module may now be turned on/off manually (x4 connector) by a switch (not supplied), the pilot will remain on CPI (continuous pilot ignition) mode, all other functions of main burner, fan and lights will be on the high setting.

Fan Startup and Shutdown Timings:

Fan setting is started with a delay of 5 minutes from the fireplace ignition and stopped with a delay of 12 minutes from the fireplace switching off.

Low Battery Power Detection

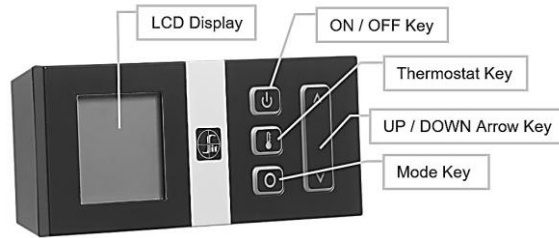
When the Remote Control’s batteries are low, a Battery Icon will appear on the LCD display before all power is lost. When the batteries are replaced this icon will disappear.

Battery Backup

The PF2 module is powered by line voltage (AC) with provision of battery backup in case of main power loss. Fans and lighting features will not function with the PF2 Module is powered by battery backup. It is recommended that the 4 x AA batteries are changed before each heating season.

Cold Climates – CPI Setting - Proflame 2 Remote Control

Use the CPI setting during cold weather, otherwise the fireplace may have a hard time starting up and establishing a flame. The **CPI** (Continuous Pilot Ignition) setting will keep the firebox and fireplace exhaust vent warm during cold weather. When the firebox and exhaust vent are warm, exhaust gasses will readily flow out of the firebox.

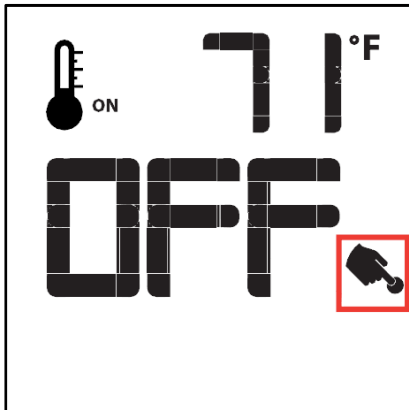


If the firebox and venting are too cold, there is resistance due to the heavy cushion of cold air, and combustion gasses may not rise into the exhaust vent, thus causing the fireplace to cycle or **Lockout** (if this happens see **Lockout Reset Procedures** below).

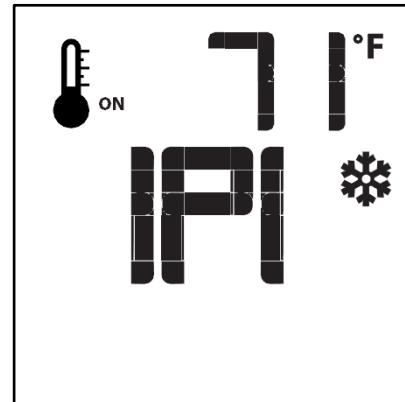
NOTE: The pilot system for this appliance may be equipped with a **Seven Day Timer**, in which case the pilot flame will be extinguished if the main burner has not been turned ON for seven days. This Seven Day Cycle is reset every time the main burner is cycled ON / OFF and the pilot remains lit. If more than seven days has passed since the main burner has been cycled ON / OFF and the pilot is also out, follow the procedures described in this manual to light the pilot.

To switch from IPI to CPI Mode:

1. Turn the fireplace OFF using the **ON / OFF Key**.

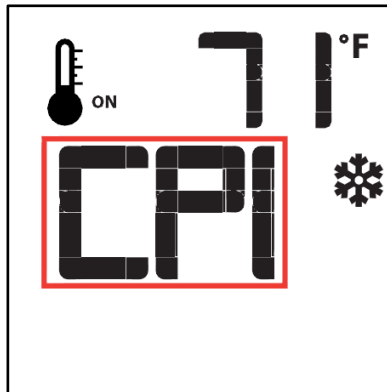


2. Press the **Mode Key**. Display will appear as below.



3. Press UP on the **UP / DOWN Arrow Key**. Display will show **CPI**.

The module in the fireplace will beep once to confirm command.



TO RETURN TO IPI (INTERMITTENT PILOT) MODE:

Repeat steps one and two, and then press DOWN on the **UP / DOWN Arrow Key**.

The module in the fireplace will beep once to confirm command.

Lockout Reset Procedures – Proflame 2

If the fireplace has cycled too many times in a short period of time, it will shut down and become unresponsive to any new command.

The LED light on the Proflame 2 module in the fireplace will be flashing red.

This condition is a **Lockout** state.

Lockout Reset Procedure:

1. Disconnect power from the Proflame 2 module in the fireplace for 10 seconds. This includes removing the backup batteries.
2. Once the 10 second interval has passed, reconnect power and reinstall backup batteries. The pilot should now try to light.
3. If the fireplace does not come on, call your fireplace technician.

Proflame 2 Remote Control

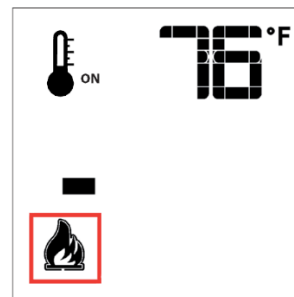
Remote-Flame Control

The proflame has six (6) flame levels. With the system on, and the flame level at the maximum in the appliance, pressing the Down Arrow Key once will reduce the flame height by one step until the flame is turned off.

The Up Arrow Key will increase the flame height each time it is pressed. If the Up Arrow Key is pressed while the system is on but the flame is off, the flame will come on in the high position. (Fig. 7 & 8) A single "beep" will confirm reception of the command.



Fig. 7: Flame Off



Flame Level 1

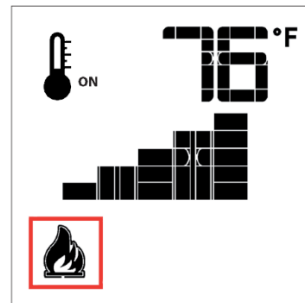
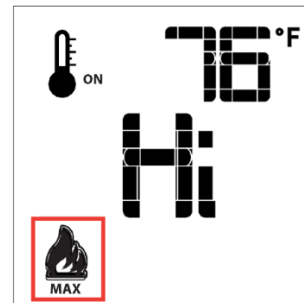


Fig. 8: Flame level 5



Flame Level Maximum

Room Thermostat (Transmitter Operation)

The Remote Control can operate as a room thermostat. The thermostat can be set to a desired temperature to control the comfort level in a room.

To activate this function, press the Thermostat Key (Fig. 1). The LCD display on the Transmitter will change to show that the room thermostat is "ON" and the set temperature is now displayed (Fig. 9). To adjust the set temperature, press the Up or Down Arrow Keys until the desired set temperature is displayed on the LCD screen of the Transmitter.

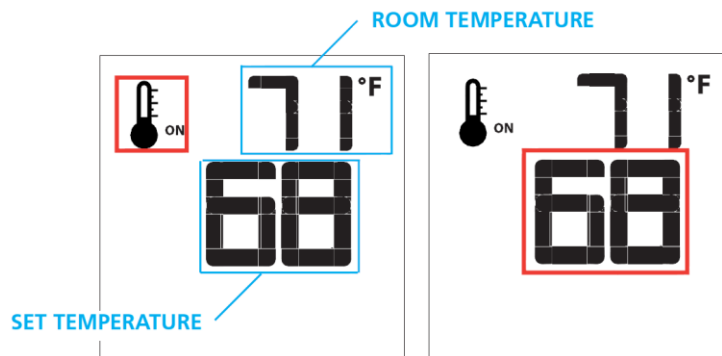


Fig. 9

Fig. 10

Smart Thermostat (Transmitter Operation)

The Smart Thermostat function adjusts the flame height in accordance to the difference between the set point temperature and the actual room temperatures. As the room temperature gets closer to the set point the Smart Function will modulate the flame down. To activate this function, press the Thermostat Key (Fig. 1) until the word "SMART" appears to the right of the temperature bulb graphic (Fig. 11).

To adjust the set temperature, press the Up or Down Arrow Keys until the desired set temperature is displayed on the LCD screen of the Transmitter (Fig. 12).

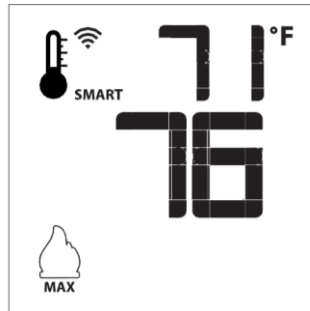


Fig. 11: Smart flame function

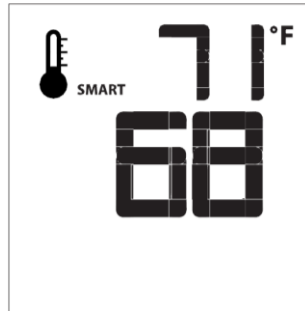


Fig. 12

Note:
When Smart Thermostat is activated, manual flame height adjustment is disabled.

Fan Speed Control

If the appliance is equipped with a hot air circulating fan, the speed of the fan can be controlled by the Proflame system. The fan speed can be adjusted through six (6) speeds. To activate this function use the Mode Key (fig.1) to index to the fan control icon (Fig. 13). Use the Up/Down Arrow Keys (Fig.1) to turn on, off or adjust the fan speed (fig. 14). A single "beep" will confirm reception of the command.



Fig. 13

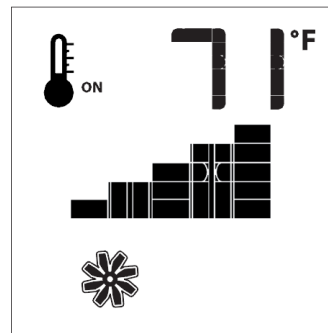


Fig. 14

Remote dimmer control (Halogen lights only)

The auxiliary function controls the AUX power outlet by the dimmable light control. To activate this function use the Mode Key (fig. 1) to index to the AUX icon (fig. 15 & 16).

The intensity of the output can be adjusted through six (6) levels. Use the Up/Down Arrow Keys (Fig.1) adjust the output level (fig. 16). A single "beep" will confirm reception of the command.

Note:
This function is only available in Room Thermostat or Smart Thermostat Control Mode.



Fig. 15

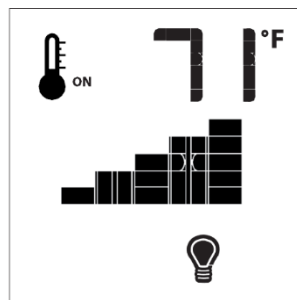
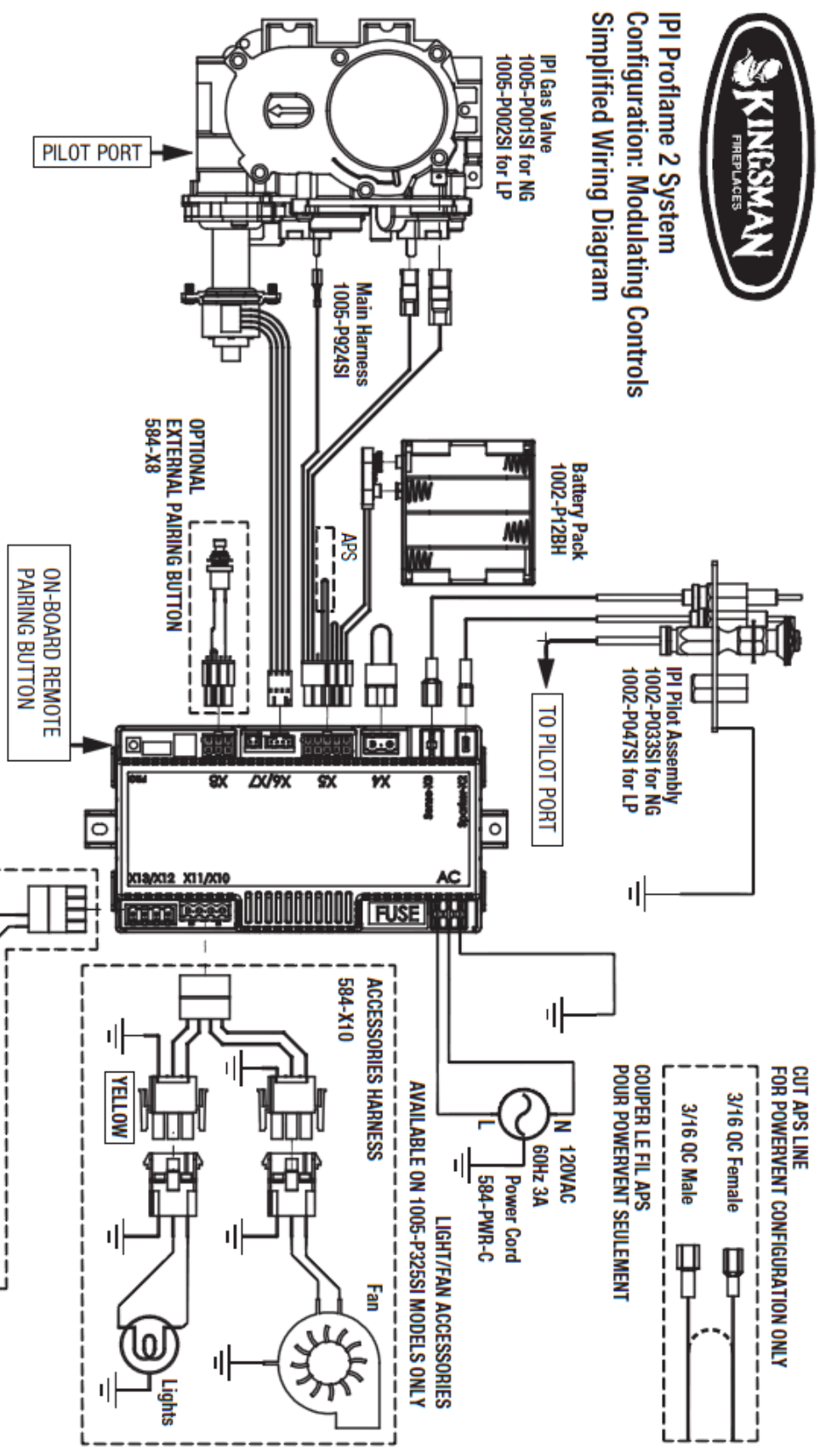


Fig. 16

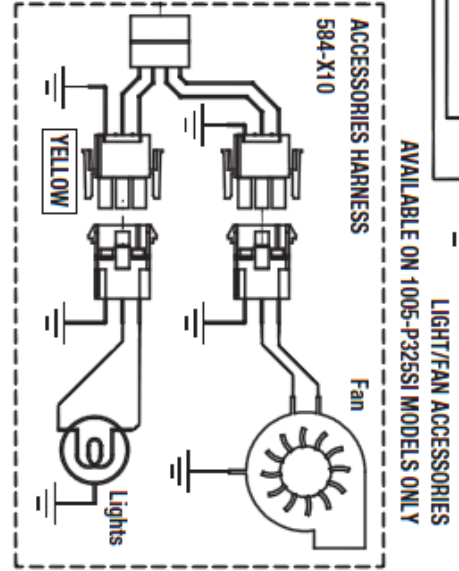
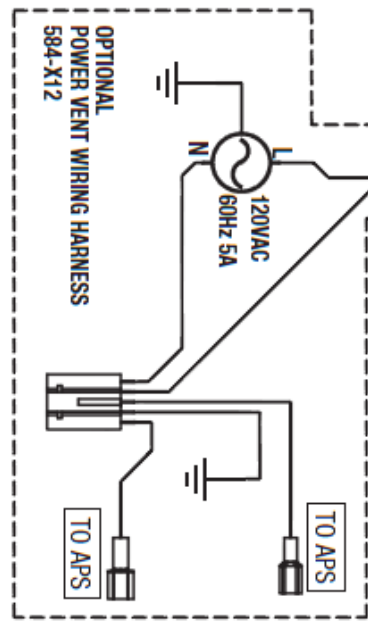
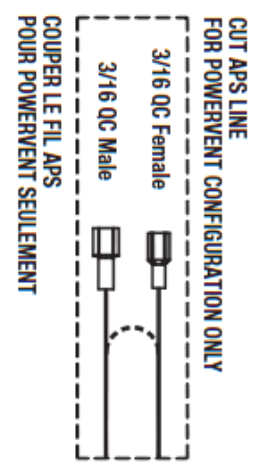


IPI Proflame 2 System Configuration: Modulating Controls Simplified Wiring Diagram



Manufactured by: Kingsman Fireplaces
 Fabriqu e par: 2340 Logan Avenue
 Winnipeg, MB R2R 2V3

For use with all Kingsman manufactured IPI Proflame 2 models, for all types of gas noted on rating plate. Supply 120VAC 60Hz 3A, 6 volts battery backup.
 Pour utilisation avec tous les mod les IPI Proflame 2 fabriqu s par Kingsman, pour tous les types de gaz not  sur la plaque signal tique. Voltage d'alimentation: 120VAC 60Hz 3A et 6 volts pour le bloc-piles de secours.
 This component should be installed by a qualified service agency.
 Cette composante doit  tre install e par une entreprise de service qualifi e.



Part #1005-P2SC8H

WMBH – Wall Mount Battery Holder – Proflame 1 and 2 IPI Models - Option

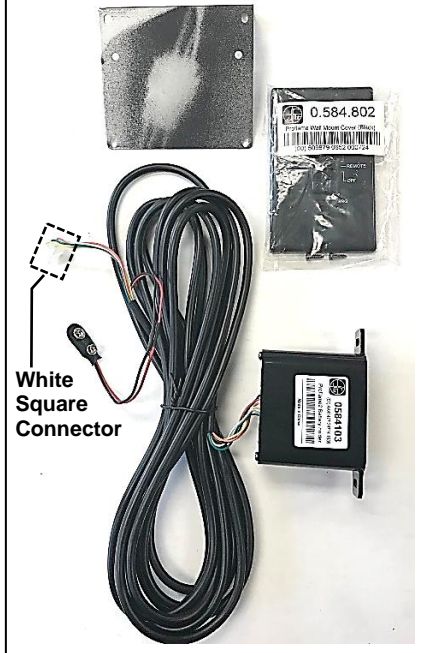
The WMBH provides the option for a more convenient and accessible location for the backup batteries.

NOTE: The WMBH is **NOT** a remote control receiver. It functions as a Battery Holder and mode selector switch **ONLY**.

⚠ CAUTION- DO NOT PLUG THE ORIGINAL BATTERY HOLDER SUPPLIED WITH THE APPLIANCE INTO THE WMBH WIRING HARNESS. - NOT FOR USE WITH POWER VENTS -

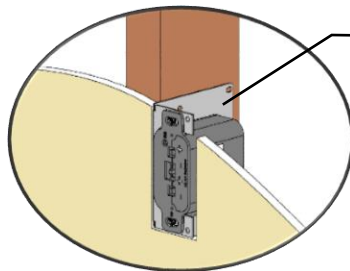
Parts List:

- [1] Battery Holder
- [1] DCHS Mount Bracket
- [1] Wall Mount Cover Plate
- [1] 16 ft. Wiring Harness



Installation:

- The Battery Holder can be mounted on a vertical wall stud using the DCHS as a mounting bracket.
- Ensure that the face is protruding 1/2" so that the face plate will be flush on the face of the wall.
- Drywall cutout size is 2" wide by 4-1/8" tall.
- Must be installed within 16ft of valve assembly (12ft recommended).



DCHS Mount Bracket

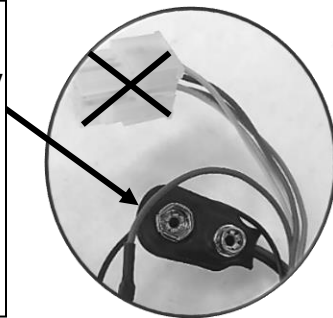


Operating Instructions:

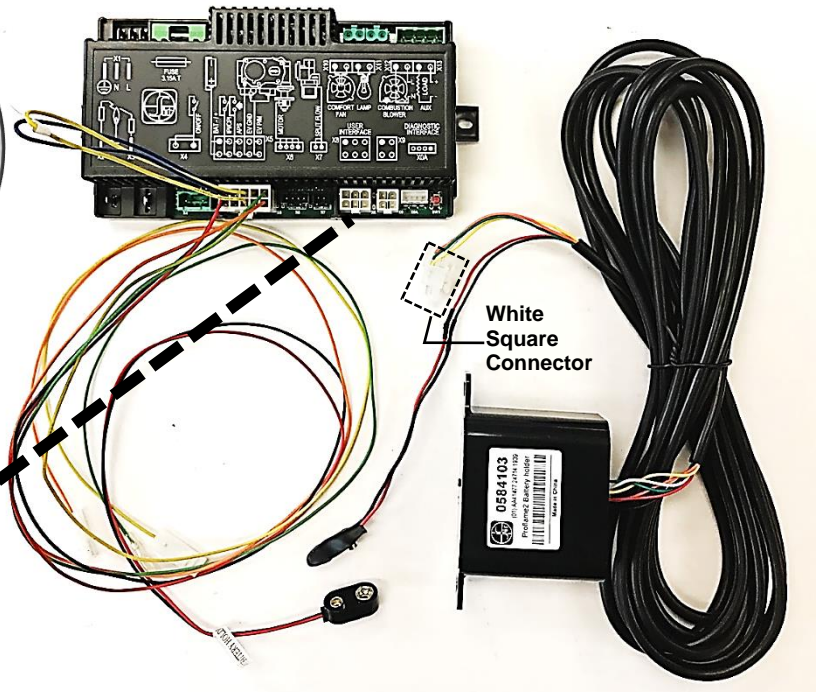
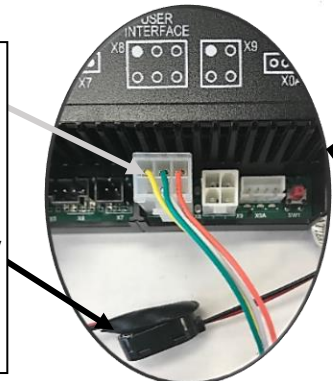
- **Proflame 1:** Set the switch on the Battery Holder to either the **ON** or **REMOTE** position. The WMBH functions as a battery backup should a power outage occur.
- **Proflame 2:** Set the switch on the Battery Holder to the **REMOTE** position. **NOTE:** If the switch on the Battery Holder is set to **ON**, the remote control will be disabled. The WMBH functions as a battery backup should a power outage occur. Refer to the manual that accompanies the Battery Holder for further instructions.

Proflame 1:
-Plug **Battery Connector** into **Battery Holder** connection on wiring harness.

-The **Square Plug Connector** on the 16ft wiring harness is not used.



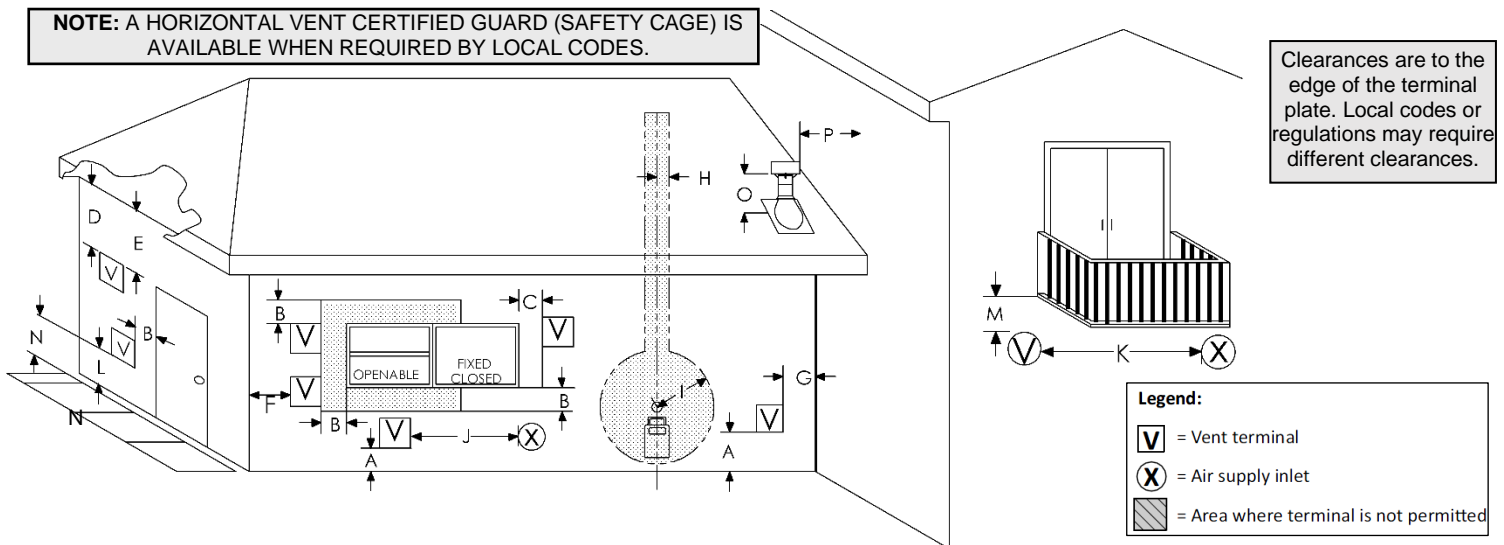
Proflame 2:
-Plug the **Square Plug Connector** into the **User Interface Socket** in the P2 Module.
-Plug the **Battery Connector** into **Battery Holder** connection on the Proflame 2 wiring harness.



White Square Connector

Vent Terminal Clearances

NOTE: A HORIZONTAL VENT CERTIFIED GUARD (SAFETY CAGE) IS AVAILABLE WHEN REQUIRED BY LOCAL CODES.



Clearances are to the edge of the terminal plate. Local codes or regulations may require different clearances.

		Canadian installations ¹	US installations ²
A	Clearance above grade, veranda, porch, deck, or balcony	12 in (30 cm)	12 in (30 cm)
B	Clearance to window or door that may be opened	6 in (15 cm) for appliances ≤ 10,000 Btu/h (3 kW), 12 in (30 cm) for appliances > 10,000 Btu/h (3 kW) and ≤ 100,000 Btu/h (30 kW), 36 in (91 cm) for appliances > 100,000 Btu/h (30 kW)	6 in (15 cm) for appliances ≤ 10,000 Btu/h (3 kW), 9 in (23 cm) for appliances > 10,000 Btu/h (3 kW) and ≤ 50,000 Btu/h (15 kW), 12 in (30 cm) for appliances > 50,000 Btu/h (15 kW)
C	Clearance to permanently closed window	12 inches (30cm) recommended to prevent condensation on window	12 inches (30cm). 9 inches (23cm) for appliances 50,000 Btu's and lower
D	Vertical clearance to ventilated soffit located above the terminal within a horizontal distance of 2 feet (61 cm) from the center line of the terminal	18 inches (46cm)	18 inches (46cm)
E	Clearance to unventilated soffit	12 inches (30cm)	12 inches (30cm)
F	Clearance to outside corner	3" *	3" *
G	Clearance to inside corner	3" *	3" *
H	Clearance to each side of center line extended above meter/regulator assembly	3 ft (91 cm) within a height 15 ft (4.5 m) above the meter/regulator assembly	3 ft (91 cm) within a height 15 ft (4.5 m) above the meter/regulator assembly
I	Clearance to service regulator vent outlet	3 ft (91 cm)	3 ft (91 cm)*
J	Clearance to non-mechanical air supply inlet to building or the combustion air inlet to any other appliance	6 in (15 cm) for appliances ≤ 10,000 Btu/h (3 kW), 12 in (30 cm) for appliances > 10,000 Btu/h (3 kW) and ≤ 100,000 Btu/h (30 kW), 36 in (91 cm) for appliances > 100,000 Btu/h (30 kW)	6 in (15 cm) for appliances ≤ 10,000 Btu/h (3 kW), 9 in (23 cm) for appliances > 10,000 Btu/h (3 kW) and ≤ 50,000 Btu/h (15 kW), 12 in (30 cm) for appliances > 50,000 Btu/h (15 kW)
K	Clearance to a mechanical air supply inlet	6 ft (1.83 m)	3 ft (91 cm) above if within 10 ft (3 m) horizontally
L	Clearance above paved sidewalk or paved driveway located on public property	7 ft (2.13 m)	*(Notes: 2)
M	Clearance under veranda, porch, deck, or balcony	12 in (30 cm)‡	12 in (30 cm) *
N	Where a vent termination may cause hazardous frost or ice accumulations on adjacent property surfaces	** (Notes: 1)	*(Notes: 2)
O	Clearance above highest point of exit on roof	18 in (45cm)	18 in (45cm)
P	Clearance to perpendicular or adjacent wall	24 in (60cm)	24 in (60cm)

Notes:

1) In accordance with the current CSA B149.1, Natural Gas and Propane Installation Code.

2) In accordance with the current ANSI Z223.1/NFPA 54, National Fuel Gas Code.

* Clearance in accordance with local installation codes and the requirements of the gas supplier.

** A vent shall not terminate directly above a paved sidewalk or paved driveway that is located between two single family dwellings and serves both dwellings. Note: This does not apply to non-condensing appliances (Province of Ontario ONLY).

‡ Permitted only if veranda, porch, deck, or balcony is fully open on a minimum of two sides beneath the floor.

It is imperative that the vent termination be located observing the minimum clearances as shown. There must not be any obstruction such as bushes, garden sheds, fences, decks or utility buildings within 24" from the front of the termination plate.

Do not locate termination where excessive snow or ice build-up may occur. Be sure to check vent termination area after snow falls and clear to prevent accidental blockage of venting system. When using snow blowers, make sure snow is not directed towards vent termination area. Venting terminal shall not be recessed into a wall or siding. If finishing the outside wall with vinyl or wood siding it is **required** that a Siding Shield be installed, Part Number ZDVSSLR.

General Vent Installation Information

This gas appliance is approved to be vented either through the side wall or vertically through the roof. Only Kingsman Flex (Z-Flex) venting kits and components specifically approved and LABELED for this stove may be used.

! Kingsman Flex venting MUST be used on the MQRB4436 and MQRB6961. Use of DuraVent- DirectVent Pro or other hard pipe Venting systems is not permitted unless a power vent is used.

Model **MQRB5143** is approved for use with DuraVent- DirectVent Pro Direct Vent system (Model DV-GS Series), and AmeriVent Direct Vent Pipe System, ICC Excel Direct, Metal Fab Sure-Seal DV and Selkirk Direct Temp. Not available for MQRB6961.

DuraVent- DirectVent Pro, AmeriVent, and Selkirk Direct Temp

When using DuraVent- DirectVent Pro, AmeriVent pipe, ICC Excel Direct, Metal Fab Sure-Seal DV, or Selkirk Direct Temp a Dura-vent adapter must be used (part # Z57DFA). Follow installation instructions provided by the appropriate manufacturer for installation of pipe, and adhere to the clearance to combustibles provided in this manual. Apply a bead of Mill Pac high temp sealant at the flue of the appliance when using a DuraVent adapter.

WARNING: DO NOT mix parts from different systems unless stated in the manual.

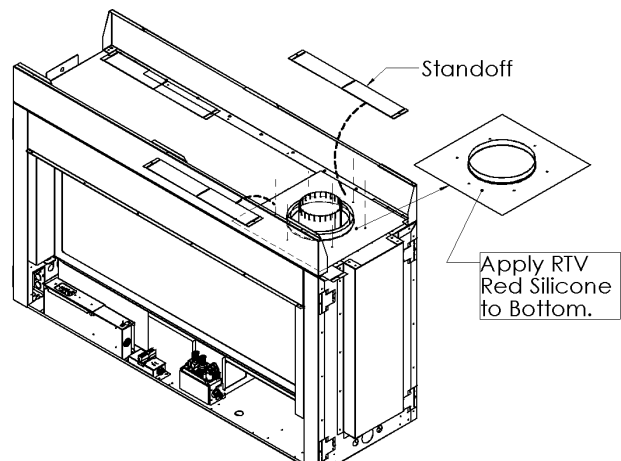
Preventing Moisture Problems

Insulate wall thimbles and support boxes for vertical attic terminations with non-combustible mineral wool Insulation (Roxul, Rockwool, Thermafiber UltraBatt, etc.). Attach and seal the outer perimeter of the wall thimble or support box to the existing vapor barrier.

Eight Inch Hard Pipe Adapter (Z57DFA) for MQRB5143 Only

Contents: 1 ea. 8" Adapter Plate
6ea. DT Screws

1. Remove the two [2] Standoffs at the vented end of the Fireplace.
2. Apply RTV Red Silicone to the underside of the Adapter Plate around the perimeter of the screw holes.
3. Fasten Adapter Plate to the top of the unit using the supplied DT Screws.
4. Replace the Standoffs.



Flex Pipe Venting

Flex pipe is shipped in an unexpanded length. Therefore, when installing the pipe, expand it completely and then cut off the remaining length. A flex pipe can be expanded to twice their shipped length (e.g., 4ft. to 8ft).

Do not use more than 2 couplers to extend short pipes. Single sections are preferred in an installation attaching at the fireplace and termination. Place the spring spacers provided approximately every two feet to stabilize inner flex in the center of the outer flex pipe. When forming bends place spring in bend or before and after.

ONLY VENTING COMPONENTS SPECIFICALLY APPROVED AND LABELED FOR THIS FIREPLACE MAY BE USED.

Termination

It is imperative that the vent termination be located observing the minimum clearances as shown. There must not be any obstruction such as bushes, garden sheds, fences, decks or utility buildings within 24" from the front of the termination plate.

Do not locate termination where excessive snow or ice build-up may occur. Be sure to check vent termination area after snow falls and clear to prevent accidental blockage of venting system. When using snow blowers, make sure snow is not directed towards vent termination area.

Venting terminal shall not be recessed into a wall or siding.

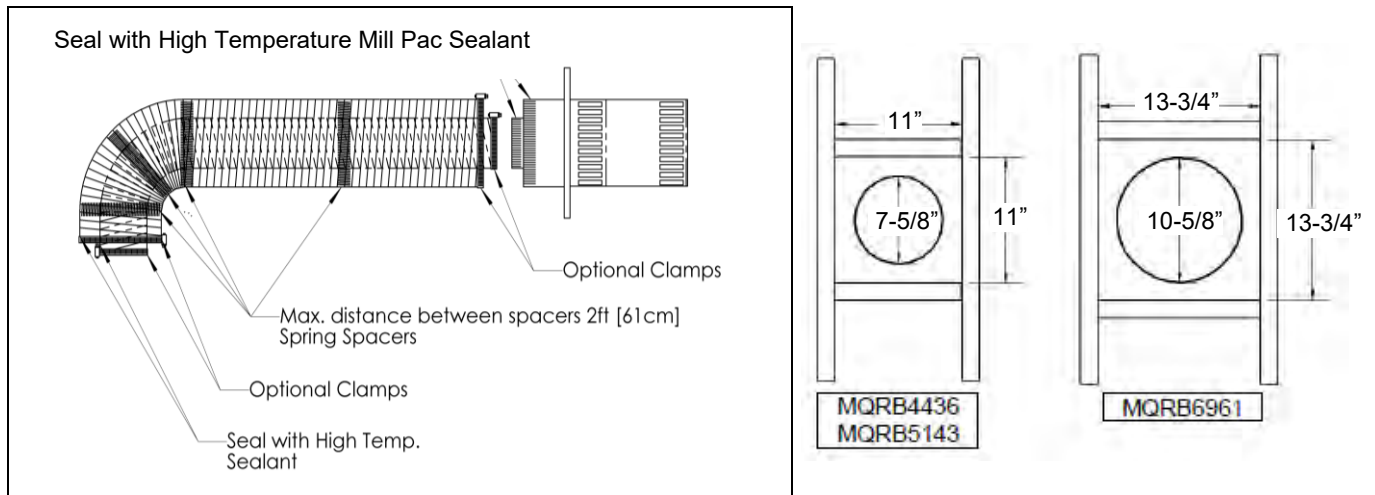


Figure 1 - Flex pipe spring spacing guide.

Horizontal runs require support metal straps every 2ft. In an offset installation support straps should be used to stabilize pipe.

Expand inner and outer flex pipe to the point that the outer flex pipe protrudes approximately 2 to 3 inches past outer wall and the inner flex protrudes approximately 2 to 3 inches past the outer flex pipe. Attach the inner flex pipe to the termination first and secure with sealant and [4] screws. Then attach the outer flex pipe to the termination with caulking and screws. Termination may then be moved back to the outer wall and attached to home screwing into the framing. Use silicone around the termination to provide waterproof seal. If siding shield is going to be used attach this after termination has been caulked for waterproofing.

Use High Temperature Mill Pac Sealant

Apply a bead of Mill Pac high temp sealant to all joints and use four screws to secure each pipe at fireplace, termination and any joint if joining any sections of pipe.

NOTE: It is critical to the proper and safe operation of this fireplace that on all connections the inner liner and the outer casing are both caulked with liberal amounts of sealant. Do not use any kind of tape or silicone other than that recommended in this manual. **Mill Pac Sealant**

Venting Routes and Components

Since it is very important that the vent system maintain its balance between the combustion air intake and the flue gas exhaust, certain limitations as to vent configurations apply and must be strictly adhered to. The table on the following page showing the relationship between vertical and horizontal side wall venting will help to determine the various vent lengths.

The maximum horizontal run with the 90 degree bend at the fireplace flue outlet is 3'. The maximum horizontal run is 20ft when the vertical run is 8ft. Note: 1/4" vertical rise is required for every 12" of horizontal run (see **Horizontal Vent Table**).

Two additional 90° bends (or the equivalent) are allowed in the horizontal run. The horizontal run must be reduced 36" for each 90° bend. The horizontal run must be reduced 18" for each 45° bend.

The maximum vertical run is 43ft [13.1m].

Special Note: For each 45 degree bend installed in the horizontal run, the length of the horizontal run must be reduced by 18" [46cm]. This does not apply if the 45 degree bends are installed on the vertical part of the vent system.

Example

If the length of the horizontal run is 10ft [3m], and two 45 degree bends are required, then the horizontal run length must be reduced to 7ft to achieve proper venting. If 10ft of horizontal run is required in conjunction with the two 45 degree bends, then the vertical run must be reduced appropriately. Please refer to **Horizontal Vent Table** for the relationship between horizontal and vertical runs.

IMPORTANT: Always locate the fireplace in such a way that a minimum of offsets and/or horizontal runs are required. 1/4" vertical rise is required for every 12" horizontal run.

Minimum clearance to combustibles on venting is 1" with the following exceptions:	MQRB4436	MQRB5143	MQRB6961
Top of horizontal	2"	2"	2"
Top of 90 degree elbow in an enclosure under 72"	5" with Z57WTS	5" with Z57WTS	N/A
Top of 90 degree elbow in an enclosure over 72"	4"	4"	N/A
Top of 90 degree elbow in an enclosure under 78"	N/A	N/A	6-1/2" with Z57WTS
Top of 90 degree elbow in an enclosure over 78"	N/A	N/A	6-1/2"
Minimum Enclosure Height (See Enclosure Heights page)	60"	60"	64" Vertical 68" Horizontal
Minimum Termination Height from bottom of Unit	37-1/2" + 1/4" rise/ ft	51-1/2" + 1/4" rise/ ft	56-1/2" + 1/4" rise / ft

Horizontal Vent Table

To use the Horizontal Vent Table (see Table 1), determine the total vertical height of the system and the number of bends required. Locate the value on the first column and then move across to see the corresponding maximum allowable horizontal run. **All Measurements are from the bottom of the appliance.**

**The minimum vertical installation height must be adhered to.
Flex pipe venting must be fully stretched.**

	Total Vertical		Max. Horizontal		Total Vertical		Max. Horizontal	
	Feet	Meters	Feet	Meters	Feet	Meters	Feet	Meters
MQRB4436	37-1/2"	1						
MQRB5143	51-1/2"	1.3	3	.91				
MQRB6961	56-1/2"	1.4						
4436MQRB Only	4	1.2*	4*	1.2*	14	4.3	20	6.1
	5	1.5	5	1.5	15	4.6	20	6.1
	6	1.8	8	2.4	16	4.9	20	6.1
	7	2.1	15	4.6	17	5.2	20	6.1
	8	2.4	20	6.1	18	5.5	20	6.1
	9	2.7	20	6.1	19	5.8	20	6.1
	10	3.0	20	6.1	20	6.1	20	6.1
	11	3.4	20	6.1	25	7.5	15	4.6
	12	3.7	20	6.1	30	9.0	10	3.0
	13	4.0	20	6.1	43	12.2	0	0

For Propane Horizontal installations on MQRB4436 & MQRB5143, the venting must be a minimum of two feet vertical off the flue before going horizontal.

Table 1 - Horizontal Vent Table

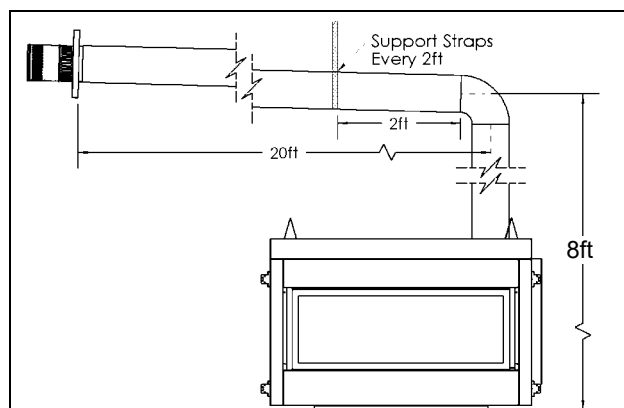
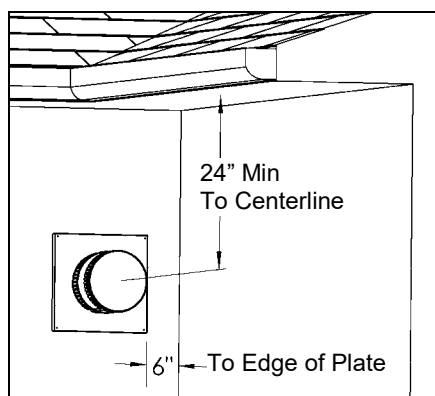


Figure 1



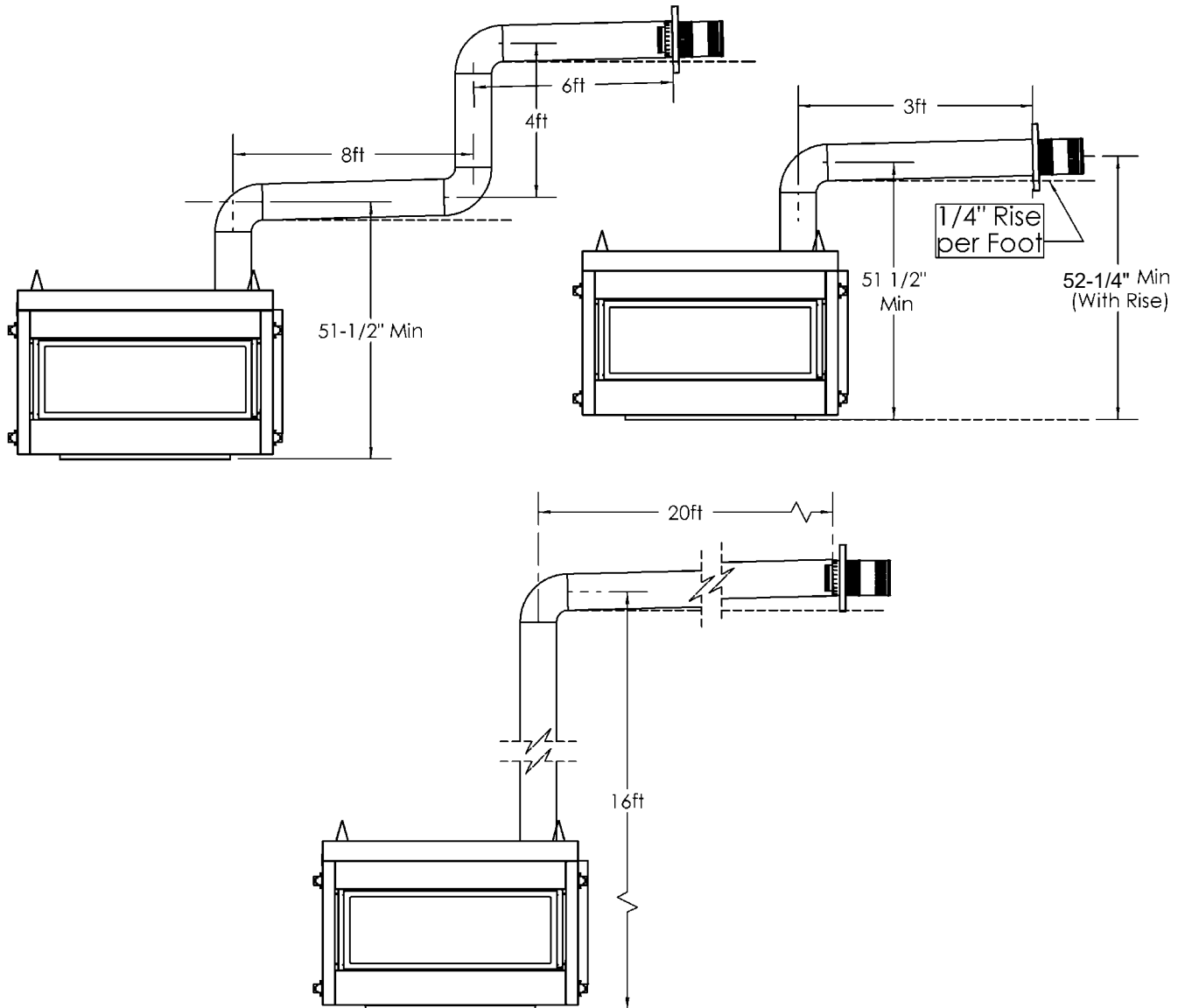
MQRB6961: Note Clearances of Termination from vented and unvented soffit (24") and adjacent Side wall (6"). Also see **D** and **E** on **Venting** page.

NOTE: The final location of the fireplace must be such that the horizontal vent dimensions fall within those stated on the graph. The Maximum Vertical vent run is 43ft. Please refer to **Clearance to Combustibles** information in this manual.

A HORIZONTAL VENT CERTIFIED GUARD (SAFETY CAGE) IS AVAILABLE WHEN REQUIRED BY LOCAL CODES.
MQRB5143 / MQRB4436: See **Flue Restrictor Adjustment** Page for vertically vented Installations.

MQRB5143 Venting Examples

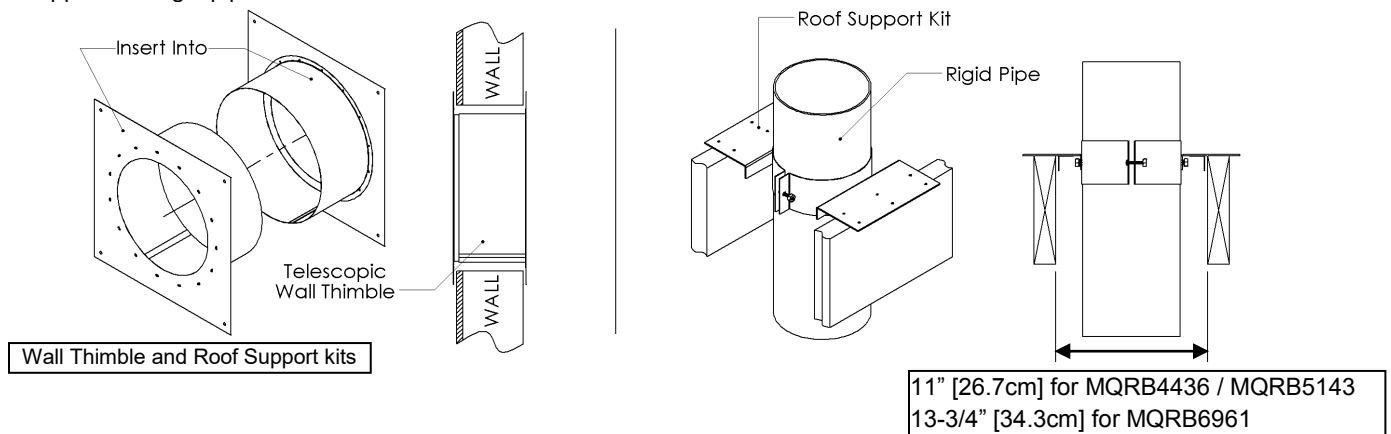
All horizontal runs have a minimum 1/4" rise per foot.



Wall Thimble and Roof Support

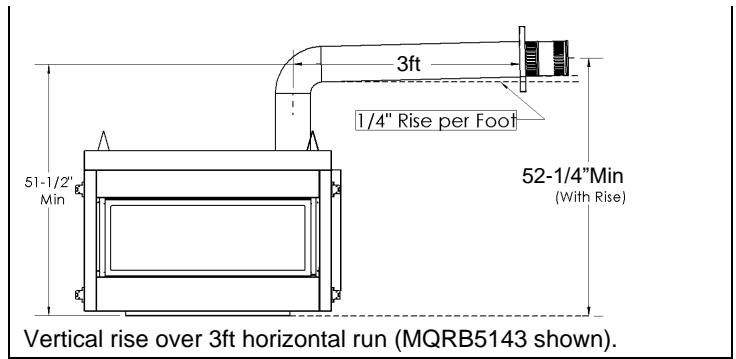
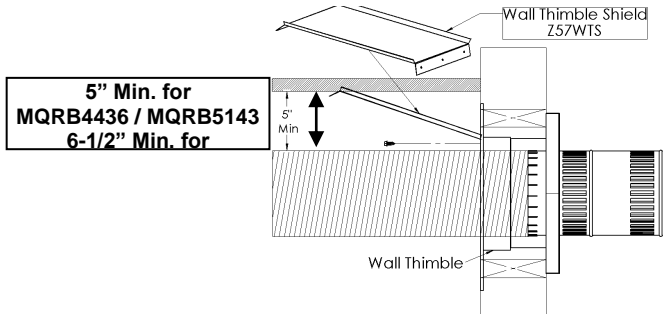
The Wall Thimble is used in horizontal installations to shield the combustible material from the vent pipe. The appropriate size of thimble is required for each model. Please contact your local dealer for more information. Refer to Side Wall Venting for wall cutout information.

The Roof Support is used to secure the vertical venting as it penetrates the roof. Please note that you may only install the roof support to a rigid pipe.



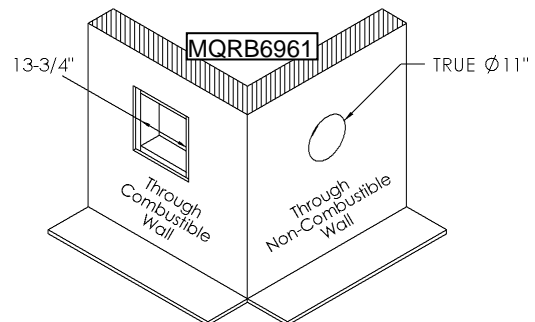
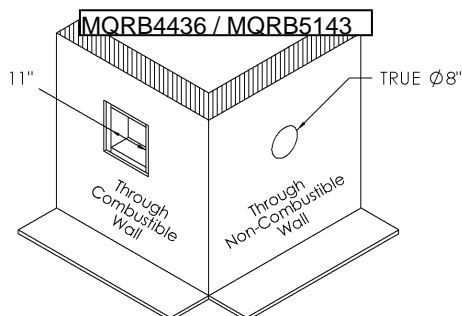
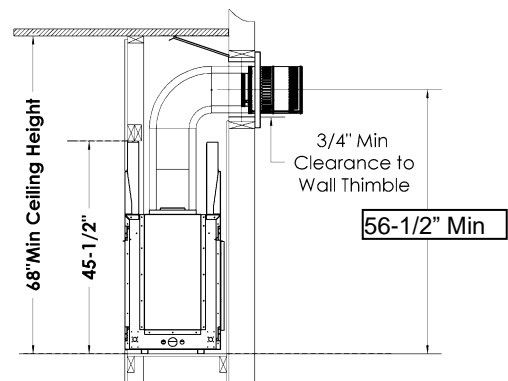
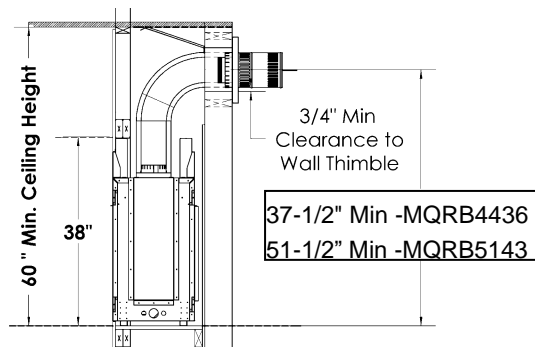
Installation of Side Wall Venting

Note: Wall Thimble Shield [Z57WTS] must be used in Enclosures under 72" for MQRB4436 / MQRB5143, and under 78" for MQRB6961.



Note that the minimum height from the bottom of fireplace to the centre of vent is 37-1/2" [95 cm] for the **MQRB4436**, 51-1/2" [131 cm] for the **MQRB5143** and 56-1/2" [144cm] for the **MQRB6961**. This dimension is for installations where venting exits immediately after its rise from the unit (i.e. zero/minimum horizontal length). In installations where there is a horizontal run simply refer to the Horizontal Vent Table to determine the vertical location of the hole cutout required.

1. In a combustible wall cut a square hole that is 11" x 11" [28cmx28cm] (inside dimension) for the MQRB4436 / MQRB5143 or 13-3/4" x 13-3/4" [35cmx35cm] for the MQRB6961. In a non-combustible wall, cut an 8" [20cm] diameter hole for the MQRB4436 / MQRB5143 or an 11" [28cm] diameter hole for the MQRB6961. See below for detail.
2. Refer to **Clearance to Combustibles** information in this manual. Select the approximate vent length for your installation. Note that precise measurements are not needed as the flex pipe can be expanded to twice its shipped length.
3. If installing the wall thimble, center it over the square cutout hole and secure both pieces on either sides of the wall. Route the flex vent pipe through the wall thimble. Before joining pipes, apply a bead of high temperature sealant (Millpac) to the end. Then attach the inner pipe to the vent termination with sealant, and secure it with the four screws provided. At this time make sure the spacer springs are attached to the inner flex pipe. Then attach the outer pipe by the same method.
4. Mount the vent termination and seal it to wall using caulking around the thimble to weather proof. After installing the vent termination, double check to make sure the pipe extends properly through wall thimble and into the termination. Before joining pipes to the fireplace flue, apply a bead of high temperature sealant (Millpac) to the end of it. Then attach the inner flue pipe to fireplace with sealant; and secure with the four screws provided. At this time verify that the spacer springs are attached properly to the inner pipe and then attach the outer pipe by the same method.
5. Support the horizontal pipe every 2ft [61cm] with metal strap bands. Verify that the fireplace is leveled, properly positioned, and secured to the framing.
6. Support vertical pipes with metal strapping to maintain a minimum of 1" [2.5cm] or greater clearance to combustibles.
7. If finishing the outside wall with vinyl or wood siding it is required that a Siding Shield be installed, Part Number ZDVSSLR. **Note: Vent Termination must not be recessed into wall or siding.**

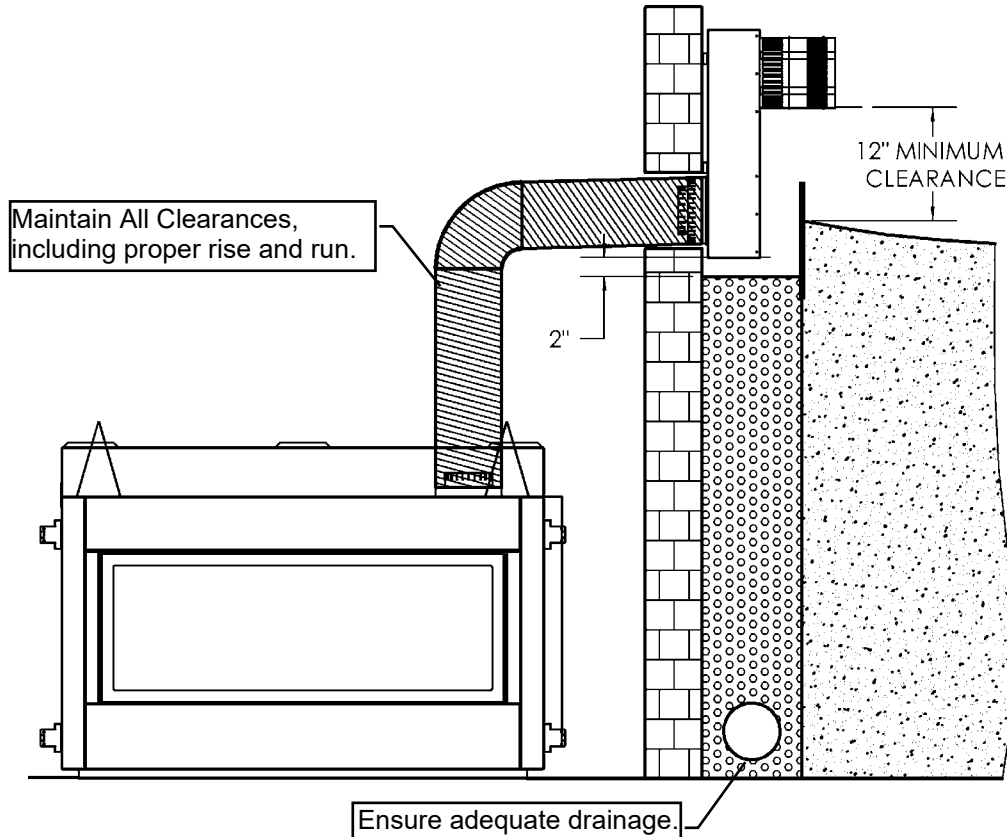


-FOR INFINITE SERIES II MODELS ONLY-

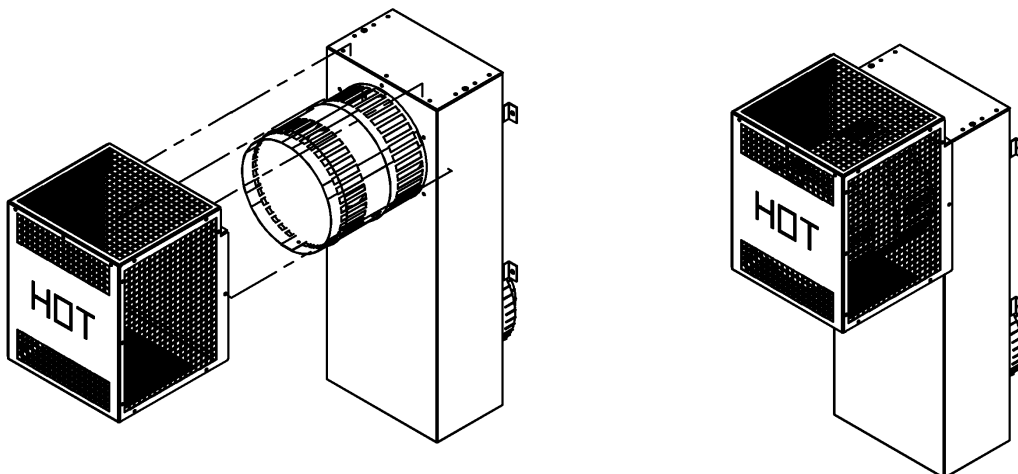
Two snorkel terminations are available for MQRB4436 / MQRB5143. If a vertical rise is necessary on the exterior side of a building:

Z57ST24 (24" Tall, 14-1/2" Center to Center) Z57ST36 (36" Tall, 26-1/2" Center to Center)

Follow standard horizontal venting installation procedures. If the Snorkel Termination is to be located below grade, a window well is recommended with adequate and proper drainage as per local codes. Leave 2" clearance below snorkel to prevent water from entering the Snorkel Termination. Do not enclose the Snorkel within a wall or other type of enclosure and **do not back fill**. Ensure that grade level slopes away from the building. Follow all local codes.

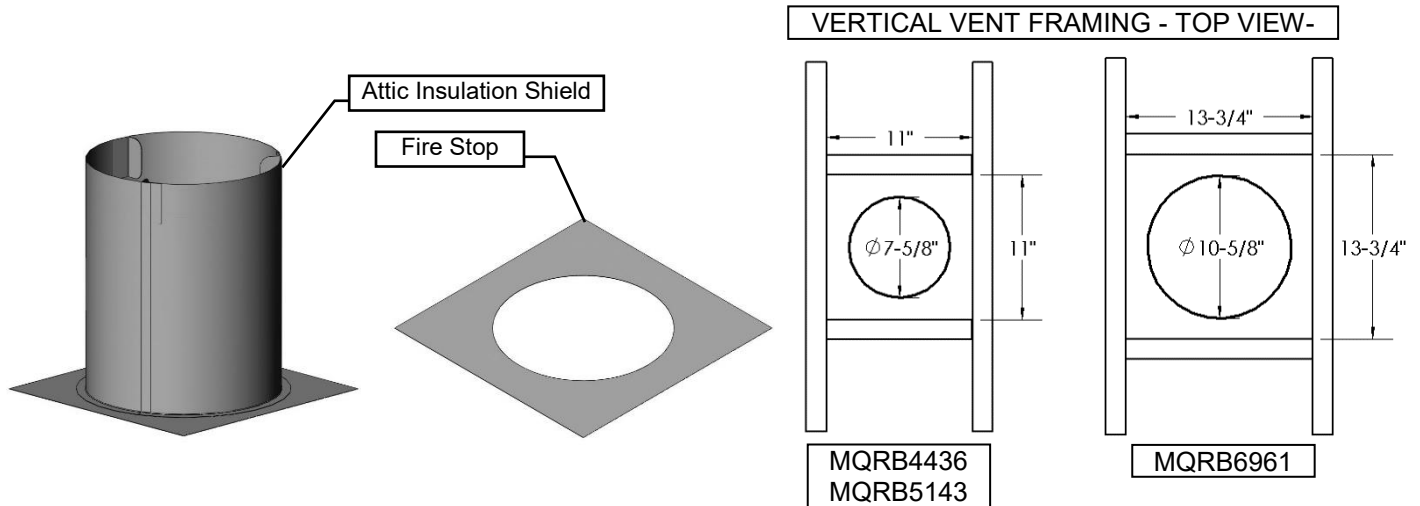
**-FOLLOW ALL LOCAL CODES-**

- A safety cage (Z57STSC) is also available. Place safety cage over snorkel and mount with [4] DT screws (supplied with safety cage).



Venting Straight Up Through Roof

An Attic Insulation Shield must be installed where the vent passes from a lower living space into an attic space where the chimney is not enclosed. It is designed to keep insulation materials away from the chimney. When installing the Attic Insulation Shield where the chimney passes from a living space to an attic space, install the shield from below and nail in place using 1" spiral nails. A fire stop must be installed on the bottom side of the joists when passing through a ceiling or floor. If an attic insulation shield is to be used, a fire stop is not required.



Using Flex Bends

Avoid cutting joists by offsetting the flex pipe.

When using 45° bends a bend support is required directly above the highest bend.

When installing a bend in a joist area a minimum of 4" clearance to combustible to the top of bend must be maintained, sides and bottom of pipe, a 1" clearance to combustibles must be maintained. If running horizontal through an area a 2" minimum clearance to the top of the horizontal pipe must be maintained.

Maximum vertical height of system should not exceed 43 feet.

Use roof support and rigid pipe at roof level. Flex pipe is not permitted within roof support.

When penetrating the roof a rigid galvanized pipe must be used. Attach flex pipe to the rigid pipe with high temperature sealant, secure with four screws assuring the flex pipe and rigid pipe are secured. Attach rigid pipe to termination with sealant and screw with 4 sheet metal screws. The Inner flex pipe must be secured with 4 screws which must penetrate both the flex pipe and inner section of termination.

Vertical termination clearance is 18" [45.7cm] above the roof, measured from highest point of exit on the roof line.

Support vertical pipes to maintain minimum of one inch or greater clearances to combustibles.

Roof Flashing

Ensure that you have the proper roof flashing by checking your roof pitch using a level and two rulers, or by using a roof pitch card. Slide a Roof Flashing suitable to your roof slope over the vent. Place the edge of the flashing plate that will be on the higher part of the roof slope under the shingles. Both the sides and the lower edge lay on top of the shingles.

NOTE: At the top edge of the flashing plate, lift the shingles and nail the plate to the roof deck, then cement the shingles to the plate with a suitable waterproof mastic.

Ensure that the chimney is plumb. Square up the flashing plate and nail in place to the roof deck. Use 12 nails with neoprene washers or cover the heads with a suitable waterproof mastic. Wrap the storm collar around the vent above the flashing. Secure the ends together loosely with nut and bolt supplied. Slide the collar down the vent until it comes in contact with the flashing. Tighten the bolt and seal the Storm Collar to the vent with a suitable waterproof non-combustible mastic.

The flashing and storm collar should be painted to match the roof shingles. This will extend its life and improve the appearance. Clean, prime and paint with suitable painting products.

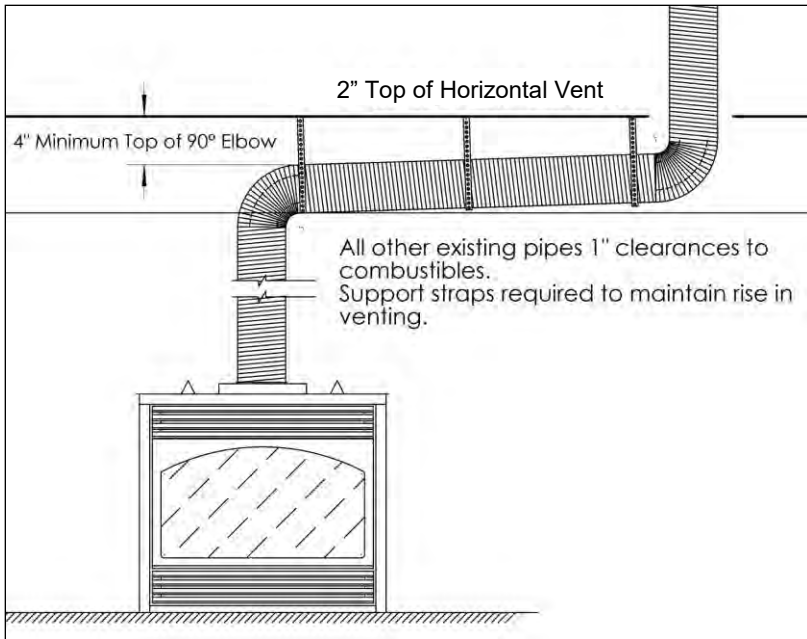
Vertical Venting in Cold Climates

In cold climate conditions where temperatures go below -10 degrees Celsius or 14 degrees Fahrenheit, we recommend that the chase be insulated and where the vent pipe enters into the attic space that the pipe be wrapped with an insulated Mylar sleeve. This will increase the temperature of the vent and help the appliance to vent properly in cold weather conditions.

It is also important in vertical vented direct vent appliances that the appliance be operated daily during the winter months as this will help stop the termination from freezing up.

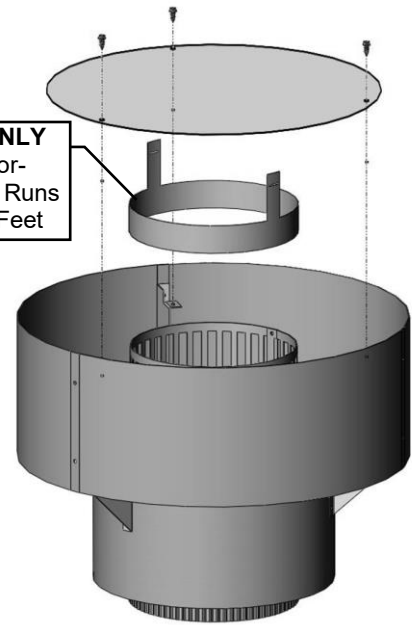
We recommend using a thermostat set at room temperature to allow the unit to cycle.

For IPI models it may be necessary to set the appliance to Standing Pilot mode to maintain heat in the cavity. The purpose of this procedure is to prevent cold air from penetrating the chimney and then onto the living space. Therefore, when the internal temperature is slightly elevated the fireplace is able to freely exhaust its combustion and hence making it easier to startup.

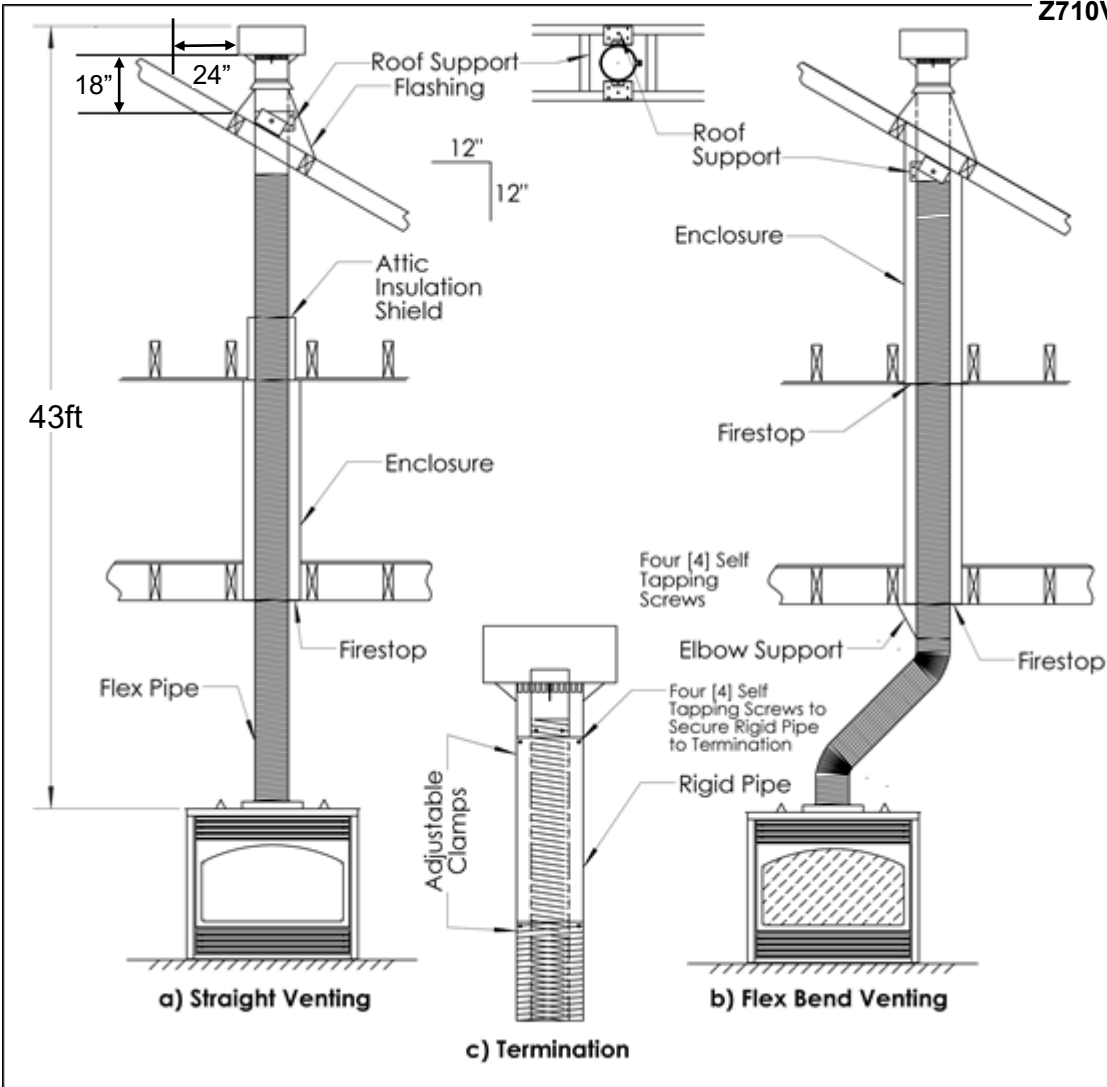


Clearances in horizontal venting.

Z710VT ONLY
 -Restrictor-
 Remove for Runs
 Under 15 Feet



Z57VT for MQRB436
Z57VT for MQRB5143
Z710VT for MQRB6961



Straight-through roof support configuration; b) Flex bend configuration; c) Termination mounting

Flue Restrictor Adjustment for MQRB4436 / MQRB5143

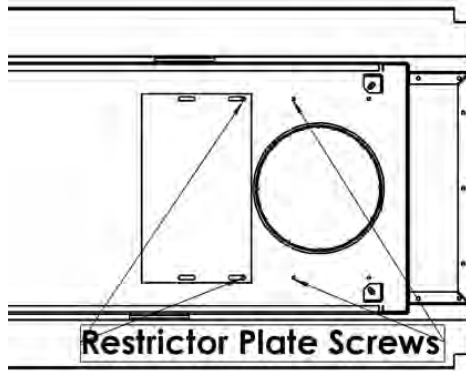


Fig.1

The **Flue Restrictor** is located in the top of the Firebox in front of the Flue Opening.

For vertically vented installations it is necessary to use the Flue Restrictor. Restrictor is set fully open from factory for short horizontal and vertical runs.

To adjust the Flue Restrictor:

1. Remove the [2] DT screws in the Flue Restrictor. Also remove the [2] screws at the front of the Flue (**Fig.1**).

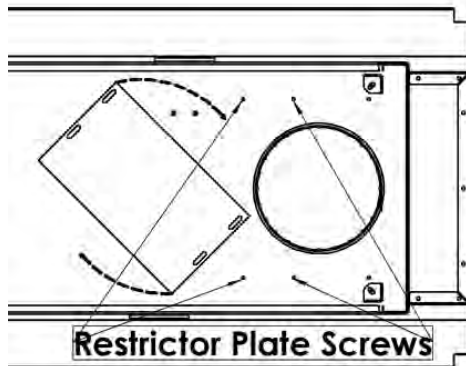


Fig.2

2. Rotate the Flue Restrictor 180°. (**Fig.2**). Place the Flue Restrictor over the Flue & start the [4] DT screws in the screw holes.

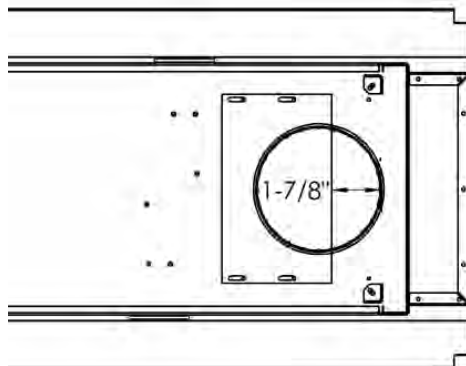


Fig.3

3. For Vertical Venting 20-30 feet in height, the Flue Restrictor should be open 1-7/8" from the back of the Flue (**Fig. 3**).

4. Between 30/40 feet: Set Restrictor in conjunction with the number of 90° elbows.

- 1 to 2 elbows 1-3/8"
- 2 to 3 elbows with offsets 1-7/8"

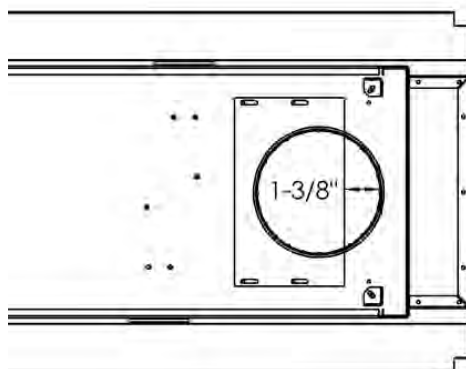


Fig.4

5. For Vertical Venting 40 feet or above in height, the Flue Restrictor should be open 1-3/8" from the back of the Flue (**Fig. 4**).

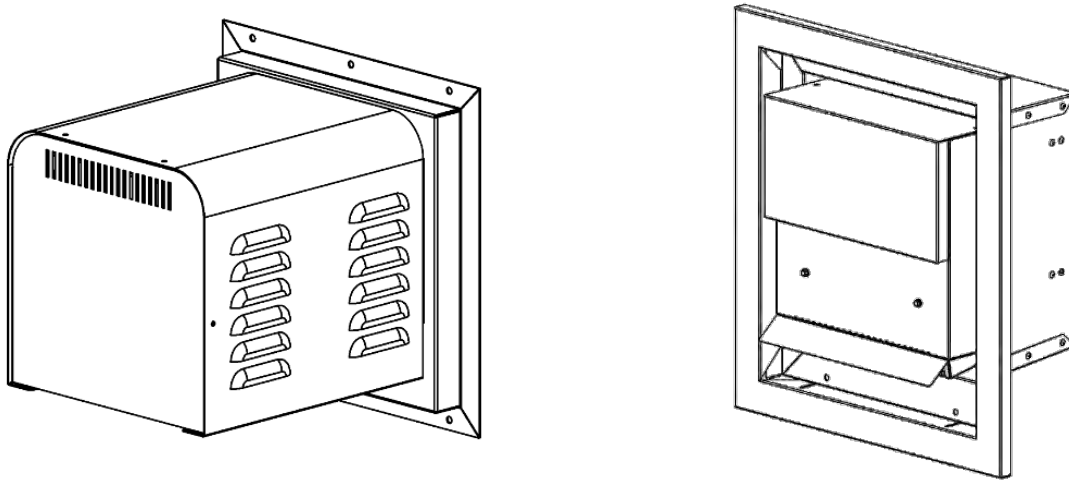
Approved for Power Vent PVH58 / PVH58FM

- This appliance is approved for use with a Kingsman PVH58 Horizontal Power Vent -

A Horizontal Power Vent Termination is intended for use where standard venting configurations are not possible.

NOTE: MODELS EQUIPPED WITH MILLIVOLT/ STANDING PILOT IGNITION: Downward vertical vent runs are **NOT** permitted.

NOTE: MODELS EQUIPPED WITH INTERMITTENT PILOT IGNITION (Proflame 1 or Proflame 2): Downward vertical vent runs are permitted, however, Cold Climate Switch (Standing Pilot Mode) must **NOT** be used.



Maximum / Minimum Vent Lengths:

Maximum Vent Length is 125 ft plus six 90° elbows with Air Intake Shutter fully closed. Termination must not be below unit.

This power vent can be installed up to **8ft** below the installed fireplace on runs less than 100ft and not more than four 90° elbows.

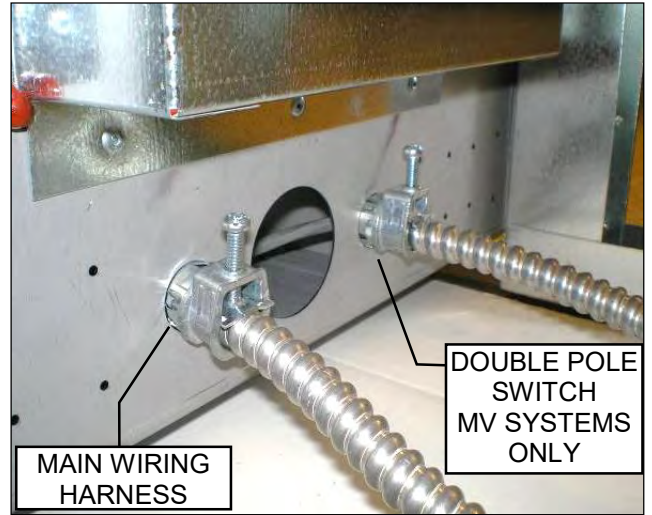
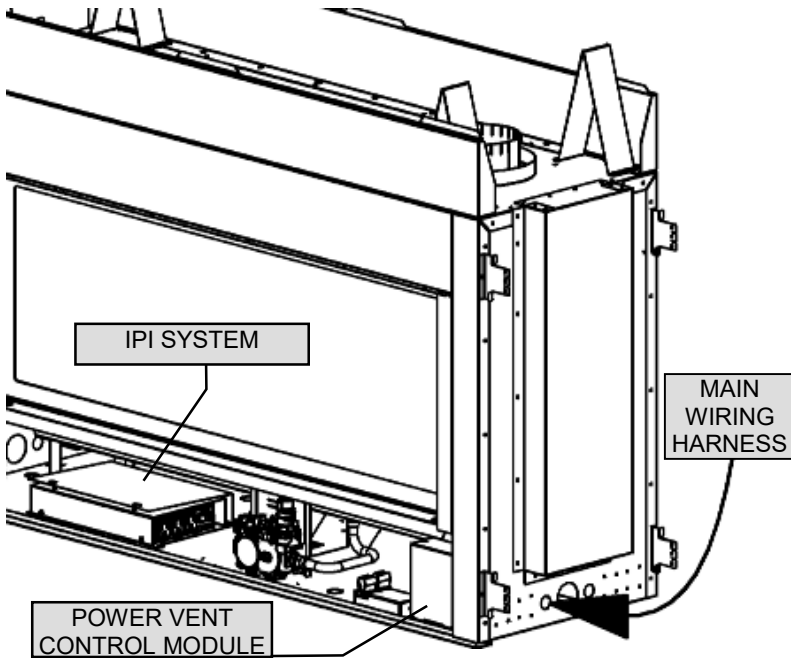
Minimum Vent Length is 1 FT vertical x 3 FT horizontal x 3 FT vertical x 3 FT horizontal (See PVH58 manual).

Seven 90° elbows are possible if the total horizontal is not more than 25ft and the vertical does not exceed 15ft.

Refer to Power Vent Manual for proper installation and use.



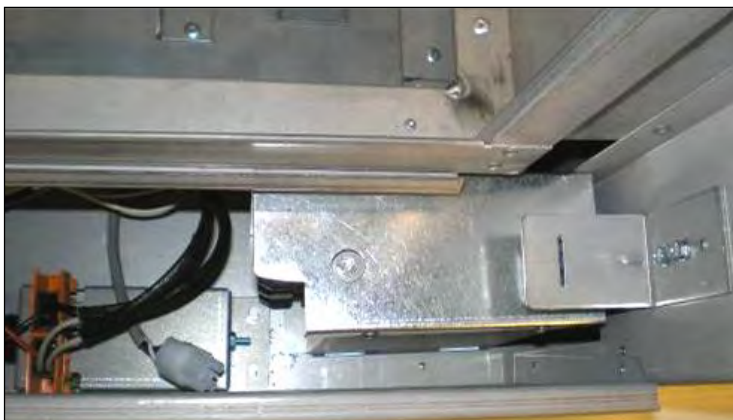
FIREPLACE IS SUPPLIED WITH ONE JUNCTION BOX.
ADDITIONAL OUTLETS MAY BE REQUIRED. CONSULT A QUALIFIED ELECTRICIAN.



Lamp Transformer housing may need to be moved toward valve.



Reposition Lamp Transformer housing. Install Power Vent Control Module as shown.



Power Vent Control Module Mounted inside fireplace (TOP VIEW).

**FOLLOW EITHER
MILLIVOLT OR IPI
SYSTEM INSTRUCTIONS
TO COMPLETE THE
INSTALLATION.**

PVH58 Venting

- Choose Hard Pipe or Flex -

The PVH58 Power Vent is approved for use with 3/5", 4/6-5/8", 5/8" M&G-DuraVent-DirectVent Pro Direct Vent system (Model DV-GS Series), and AmeriVent Direct Vent Pipe System, ICC Excel Direct, Metal Fab Sure-Seal DV and Selkirk Direct Temp. Follow installation instructions provided by the appropriate manufacturer for installation of pipe, and adhere to the clearance to combustibles provided in this manual. Apply a bead of Mill Pac high temp sealant to all joints of pipes, adapters and termination as recommended. **WARNING: DO NOT mix parts from different systems unless stated in the manual.**

Flex Pipe Venting - Approved For 4/7", 5/7", 5/8", and 7/10"

Kingsman Flex (Z-Flex) Pipe

Kingsman Flex pipe is shipped in unexpanded length. When installing flex pipe be sure to stretch to the stated length, and cut off excess. **Be sure to use approved couplers and connectors to join flex pipe.**

Place the spring spaces provided approximately every two feet to stabilize inner flex in the center of the outer flex. When forming bends place spring in bend or before and after. Horizontal runs require support metal straps every 2 feet. In offset installation support straps should be used to stabilize pipe.

Expand inner and outer flex pipe to the point that the inner flex protrudes approximately 2 to 3 inches past the outer flex. Attach the inner flex to the adapter first and secure with sealant and screws then attach the outer flex to the adapter with caulking and screws. Silicone around termination to waterproof.

Use Hi Temp Sealant

Apply a bead of Millpac high temp sealant to all joints and use four screws to secure each pipe at fireplace, termination and any joint if joining any sections of pipe.

ONLY VENTING COMPONENTS SPECIFICALLY APPROVED AND LABELED FOR YOUR FIREPLACE MAY BE USED.

5/7 VENTING:	Choose venting to be used: Section 1 - 5/8 Hard Pipe, Section 2 - 4x6-5/8" Hard Pipe, Section 3 - 3/5 Hard Pipe, Section 4 - Flex Vent
SECTION 1	DIRECT VENT HARD PIPE 5/8 – Used for entire installation – Order Z57DFA
	At Flue
Z57DFA	Duravent Hard Pipe Adapter- (5/7" to 5/8" at flue of fireplace)
SECTION 2	DIRECT VENT HARD PIPE 4 x 6-5/8" Used for entire installation - Order Z57DFA, ZDVDRA, ZDVDIA
Z57DFA	Duravent- Hard Pipe Adapter – 5/8" (at flue of fireplace)
ZDVRA	Duravent REDUCER- 5/8" to 4x6-5/8" ADAPTER (used at flue of fireplace)
	Termination End
ZDVDIA	Duravent Hard Pipe Adapter (used to connect 4x6-5/8" to 5/8 Hard Pipe)
Note: Must use a one-foot section of 5/8 DV hard pipe (not supplied) to connect to the Power Vent Termination.	
SECTION 3	DV HARD PIPE 3/5" - Used for entire installation - Order Z57DFA, ZDVDRA, ZDVDIA
Z57DFA	Duravent - Hard Pipe Adapter - 5/8" (at flue of fireplace)
PVA5835	Duravent Adapter- 5/8" To 3/5" (at flue of fireplace)
	Termination End
PVA3558	Duravent Adapter - 3/5" To 5/8 - (at Termination)
Note: Must use a one-foot section of 5/8 DV hard pipe to connect to the Power Vent Termination (not supplied)	
SECTION 4	FLEX VENT – Used for entire installation – order Z57PVA
Note: Must use a one-foot section of 5/8 DV hard pipe (not supplied) to connect to the Power Vent Termination.	
Z57PVA	Flex Pipe Adapter Kit - (to adapt flex 5/7" to power vent to hard pipe 5/8")

5/8 VENTING:	Choose venting to be used: Section 1 - 5/8 Hard Pipe, Section 2 4x6-5/8" Hard Pipe, Section 3 - 3/5 Hard Pipe, Section 4 - Flex Vent
SECTION 1	DIRECT VENT HARD PIPE 5/8" – Used for entire installation – Order Z58DFA
Z58DFA	Duravent Hard Pipe Adapter – 5/8" (Sloped Flue) Note: Only sloped flues require Z58DFA adapter.
SECTION 2	DIRECT VENT HARD PIPE 4 x 6-5/8" - Used for entire installation- Order ZDVDRA, ZDVDIA
Z58DFA	Duravent Hard Pipe Adapter – 5/8" (Sloped Flue) Note: Only sloped flues require Z58DFA adapter.
ZDVRA	Duravent REDUCER- 5/8" to 4x6-5/8" ADAPTER (used at flue of fireplace) (<i>Models MQVL48/60 and ZCVRB60 will require a one-foot section of MG Hard Pipe at flue before using ZDVDRA</i>)
	Termination End
ZDVDIA	Duravent Pipe Increaser- at Power Vent
SECTION 3	DV HARD PIPE 3/5" - Used for entire installation - Required Components Below
Z58DFA	Duravent Hard Pipe Adapter - 5/8" (Sloped Flue Models MCVST42/MCVP42/MQZCV48)
NOTE: Enclave and Serene 60 models will only require 1 FT Section of 5/8" Duravent at Flue	
PVA5835	Duravent Adapter- 5/8" TO 3/5" (used at flue of fireplace)

	Termination End
PVA3558	Duravent Adapter - 3/5" to 5/8" (at Termination)
Note: Must use a one-foot section of 5/8 DV hard pipe to connect to the Power Vent Termination (not supplied)	
SECTION 4 FLEX VENT – Used for entire installation – order Z58PVA	
Note: Must use a one-foot section of 5/8 DV hard pipe (not supplied) to connect to the Power Vent Termination.	
Z58PVA	Flex Pipe Adapter Kit - (to adapt flex pipe to power vent to hard pipe)

7/10 VENTING: Choose venting to be used: Section 1 - 5/8 Hard Pipe, Section 2 4x6-5/8" Hard Pipe, Section 3 Flex Vent	
SECTION 1 DIRECT VENT HARD PIPE – for entire installation – Order Z69DFA	
	At Flue
Z69DFA	Duravent Hard Pipe Adapter – 5/8"
SECTION 2 DIRECT VENT HARD PIPE 4 x 6-5/8" - Used for entire installation- Order Z69DFA, ZDVDRA, ZDVDIA	
	At Flue
Z69DFA	Duravent Hard Pipe Adapter – 5/8"
Note: Will require 1FT Section of 5/8" Duravent attached to Z69DFA	
ZDVRA	Duravent REDUCER- 5/8" to 4x6-5/8" ADAPTER
	Termination End
ZDVDIA	Duravent Hard Pipe Adapter (used to connect 4x6-5/8" to 5/8" hard pipe)
Note: Must use a one-foot section of 5/8 DV hard pipe (not supplied) to connect to the Power Vent Termination.	
SECTION 3 FLEX VENT 7/10"– Used for entire installation – order Z69PVA	
Note: Must use a one-foot section of 5/8 DV hard pipe (not supplied) to connect to the Power Vent Termination.	
	Termination End
Z69PVA	Flex Pipe Adapter Kit - (to adapt flex pipe to power vent to hard pipe)

Marquis Infinite Zero Clearance Direct Vent Gas Fireplace -44" Wide

Listed for USA/Canada as a Vented Gas Fireplace Heater: Linear LH Burner, Two Sides Open, SIT Valve with Hi/Lo Flame and BTU Adjustment, Ceramic Glass, 5/7" Flue, Wall Switches, Junction Box, Accent Lighting with Decorative Ember Glass, 31,500 BTU

MQRB4436N	Linear Multi-Sided Fireplace, Millivolt Valve (as above) Natural Gas
MQRB4436LP	Linear Multi-Sided Fireplace, Millivolt Valve (as above) Propane
MQRB4436NE	Linear Multi-Sided Fireplace, IPI Valve (as above) Natural Gas
MQRB4436NE2	Linear Multi-Sided Fireplace, IPI Valve (as above) Natural Gas
MQRB4436LPE	Linear Multi-Sided Fireplace, IPI Valve (as above) Propane
MQRB4436LPE2	Linear Multi-Sided Fireplace, IPI Valve (as above) Propane

Choose Your View Kit: (Required for each unit)

MQRB44BK	Back Shield Kit - (Single View) Shield and Cover, False Bottom with Series II Pilot Shield, False Bottom Cover, Series II Pilot Bracket, Back Liner
MQRB44SK	See-Through Kit - Ceramic Glass Door, False Bottom with Series II Pilot Shield, Series II Pilot Bracket, Access Panel, Filler Posts

Infinite Wall Surround-(Covers 44"W X 19")

MQRB4419SBL	Surround Trim Kit (44" x 19") - Black
MQRB4419SPW	Surround Trim Kit (44" x 19") - Pewter
MQRB4419SSS	Surround Trim Kit (44" x 19") - Stainless Steel

Infinite Wall Surround-(Covers 50"W X 24")

MQRB4424SBL	Surround Trim Kit (50" x 24") - Black
MQRB4424SPW	Surround Trim Kit (50" x 24") - Pewter
MQRB4424SSS	Surround Trim Kit (50" x 24") - Stainless Steel

Infinite Porcelain Liners

MQRB4436PLB	Porcelain Liner - Back - Single Side
MQRB5143PLE	Porcelain Liner - Ends - See Through & Single Side

Rocks & Logs

MQLOAK1	5 Piece Oak Log Set
RBCB1	Cannonballs- Assorted size and colors
MQ46D	Driftwood Log Set- 3pcs.

MQ Stone	Decorative Stones
MQRBD1	Drift Wood (x4) and Rocks (x4)
MQRBD3	Drift Wood Log Set (5pcs)
MQRBRW	Birch Log Set (5pcs)
MQROCK2	Rock Set - Contemporary Collection - Natural
MQROCK3	Rock Set - Contemporary Collection - Multi-Colored
MQG5W	Decorative Ember Glass - White - 5 lbs
MQG5A	Decorative Ember Glass - Azuria Blue - 5 lbs
MQG5C	Decorative Ember Glass - Copper - 5 lbs

Door Glass

4436ZDV-310	Ceramic Glass -For All MQRB4436
MQRB44CSS	Safety Screen Replacement

Replacement Burner Assembly / Burner

44MQ200-A1	Burner Tube (Series I)
4436ZDV-220A	Burner Tube (Series II)
4436MQ-BLPSI	Burner Assembly- Propane c/w Valve System (MQRB4436LP)
4436MQ-BNGSI	Burner Assembly-Natural Gas c/w Valve System (MQRB4436N)
4436MQ-BLPSIE	Burner Assembly- Propane c/w Valve System (MQRB4436LPE)
4436MQ-BNGSIE	Burner Assembly-Natural Gas c/w Valve System (MQRB4436NE)
4436MQ-BLPSIE2	Burner Assembly- Propane c/w Valve System (MQRB4436LPE2)
4436MQ-BNGSIE2	Burner Assembly-Natural Gas c/w Valve System (MQRB4436NE2)

Conversion Kit

4436MQ-CKLP	LP Conversion Kit for MQRB4436 Millivolt
4436MQ-CKNG	NG Conversion Kit for MQRB4436 Millivolt
4436MQ-CKLPI	LP Conversion Kit for IPI MQRB4436LPE IPI
4436MQ-CKNGI	NG Conversion Kit for IPI MQRB4436NE IPI
4436MQ-CKLP2	LP Conversion Kit for IPI MQRB4436LPE2 IPI
4436MQ-CKNG2	NG Conversion Kit for IPI MQRB4436NE2 IPI

Venting Accessories

Z57HSK5	Horizontal Round Termination Vent Starter Kit - 5/7" X 5 FT Length, Wall Thimble Shield, Horizontal Vent Termination, Wall Thimble, 60" Flex Pipe, Screws, Mill Pac.
Z57HT	Horizontal Vent Termination
Z57VT	Vertical Vent Termination
FDVHSS	Horizontal Stucco Shield
FDVHSCU	Safety Cage Universal for Horizontal Termination
ZDVAIS	Attic Insulation Shield
Z7AIS24	Attic Insulation Shield 24"
ZDVVOS	Offset Support
ZDVFS	Firestop Spacer
ZDVRS	Roof Support
ZDVWT	Wall Thimble (Horizontal Venting)
ZDVSS	Siding Shield - Heat Deflector for FDVHT Round Termination
ZDVSSLR	Siding Shield - Large Return - for FDVHSQ or FDVHT
ZDV48GP	Galvanized Pipe 7" Dia. x 48" (Vertical Installations)
ZDVAAF	Flashing 7" c/w Storm Collar (1/12 to 7/12)
ZDVAF2	Flashing 7" c/w Storm Collar (8/12 to 12/12)
ZDVAF3	Flashing 7" c/w Storm Collar Flat
ZDV7SC	Storm Collar 7 "
Z57FK5	Flex Kit (5" & 7" Dia.) x 5' Expanded (c/w Springs, Screws, Mill Pac)
Z57FK8	Flex Kit (5" & 7" Dia.) x 8' Expanded (c/w Springs, Screws, Mill Pac)
Z57FK20	Flex Kit (5" & 7" Dia.) x 20' Expanded (c/w Springs, Screws, Mill Pac)
ZDV5FC	Flex Connector 5" Diameter
ZDV7FC	Flex Connector 7" Diameter
ZDV5FCL	Flex Clamp 5"
ZDV7FCL	Flex Clamp 7"
ZDV4SS	Spring - Standoff Spacer for Inner Pipe
Z57WTS	Wall Thimble Shield
Z57ST24	Horizontal Snorkel Termination (24" Tall, 14-1/2" Center to Center)
Z57ST36	Horizontal Snorkel Termination (36" Tall, 26-1/2" Center to Center)
Z57STSC	Safety Cage for Horizontal Snorkel Termination



NOTE: Kingsman Flex venting MUST be used on the MQRB4436. Use of Duravent- DirectVent Pro or other hard pipe venting systems is not permitted unless a power vent is used.

Marquis Infinite Zero Clearance Direct Vent Gas Fireplace -51" Wide

Listed for USA/Canada as a Vented Gas Fireplace Heater: Linear LH Burner, Two Sides Open, SIT Valve with Hi/Lo Flame and BTU Adjustment, Ceramic Glass, 5/7" Flue, Wall Switches, Junction Box, Accent Lighting with Decorative Ember Glass, 38,500 BTU

MQRB5143N	Linear Multi-Sided Fireplace, Milli Volt Valve (as above) Natural Gas
MQRB5143LP	Linear Multi-Sided Fireplace, Milli Volt Valve (as above) Propane
MQRB5143NE	Linear Multi-Sided Fireplace, IPI Valve (as above) Natural Gas
MQRB5143NE2	Linear Multi-Sided Fireplace, IPI Valve (as above) Natural Gas
MQRB5143LPE	Linear Multi-Sided Fireplace, IPI Valve (as above) Propane
MQRB5143LPE2	Linear Multi-Sided Fireplace, IPI Valve (as above) Propane

Choose Your View Kit: (Required for each unit)

MQRB51BK	Back Shield Kit - (Single View) Shield and Cover, False Bottom with Series II Pilot Shield, False Bottom Cover, Series II Pilot Bracket, Back Liner
MQRB51SK	See-Through Kit - Ceramic Glass Door, False Bottom with Series II Pilot Shield, Series II Pilot Bracket, Access Panel, Filler Posts

Infinite Wall Surround-(Covers 50-1/4"W X 19")

MQRB5019SBL	Surround Trim Kit (50-1/4" x 19") - Black
MQRB5019SPW	Surround Trim Kit (50-1/4" x 19") - Pewter
MQRB5019SSS	Surround Trim Kit (50-1/4" x 19") - Stainless Steel

Infinite Wall Surround-(Covers 55-3/4"W X 24")

MQRB5624SBL	Surround Trim Kit (55-3/4" x 24") - Black
MQRB5624SPW	Surround Trim Kit (55-3/4" x 24") - Pewter
MQRB5624SSS	Surround Trim Kit (55-3/4" x 24") - Stainless Steel

Infinite Porcelain Liners

MQRB5143PLB	Porcelain Liner - Back - Single Side
MQRB5143PLE	Porcelain Liner - Ends - See Through & Single Side

Rocks & Logs

MQLOAK1	5 Piece Oak Log Set
RBCB1	Cannonballs- Assorted size and colors
MQ46D	Driftwood Log Set- 3pcs.

MQ Stone	Decorative Stones
MQRBD1	Drift Wood (x4) and Rocks (x4)
MQRBD3	Drift Wood Log Set (5pcs)
MQRBRW	Birch Log Set (5pcs)
MQROCK2	Rock Set - Contemporary Collection - Natural
MQROCK3	Rock Set - Contemporary Collection - Multi-Colored
MQG5W	Decorative Ember Glass - White - 5 lbs
MQG5A	Decorative Ember Glass - Azuria Blue - 5 lbs
MQG5C	Decorative Ember Glass - Copper - 5 lbs

Door Glass

5143ZDV-311	Ceramic Glass -For All MQRB5143
MQRB51CSS	Safety Screen Replacement

Replacement Burner Assembly / Burner

51MQ-200A1	Burner Tube
5143ZDV-220A	Burner Tube (Series II)
5143MQ-BLPSI	Burner Assembly- Propane c/w Valve System (MQRB5143LP)
5143MQ-BNGSI	Burner Assembly-Natural Gas c/w Valve System (MQRB5143N)
5143MQ-BLPSIE	Burner Assembly- Propane c/w Valve System (MQRB5143LPE)
5143MQ-BNGSIE	Burner Assembly-Natural Gas c/w Valve System (MQRB5143NE)
5143MQ-BLPSIE2	Burner Assembly- Propane c/w Valve System (MQRB5143LPE2)
5143MQ-BNGSIE2	Burner Assembly-Natural Gas c/w Valve System (MQRB5143NE2)

Conversion Kit

5143MQ-CKLP	LP Conversion Kit for MQRB5143 Millivolt
5143MQ-CKNG	NG Conversion Kit for MQRB5143 Millivolt
5143MQ-CKLPI	LP Conversion Kit for IPI MQRB5143LPE IPI
5143MQ-CKNGI	NG Conversion Kit for IPI MQRB5143NE IPI
5143MQ-CKLP2	LP Conversion Kit for IPI MQRB5143LPE2
5143MQ-CKNG2	NG Conversion Kit for IPI MQRB5143NE2

Venting Accessories

Z57HSK5	Horizontal Round Termination Vent Starter Kit - 5/7" X 5 FT Length, Wall Thimble Shield,
---------	--

	Horizontal Vent Termination, Wall Thimble, 60" Flex Pipe, Screws, Mill Pac.
Z57HT	Horizontal Vent Termination
Z57VT	Vertical Vent Termination
FDVHSS	Horizontal Stucco Shield
FDVHSCU	Safety Cage Universal for Horizontal Termination
ZDVAIS	Attic Insulation Shield
Z7AIS24	Attic Insulation Shield 24"
ZDVVOS	Offset Support
ZDVFS	Firestop Spacer
ZDVRS	Roof Support
ZDVWT	Wall Thimble (Horizontal Venting)
ZDVSS	Siding Shield - Heat Deflector for FDVHT Round Termination
ZDVSSLR	Siding Shield - Large Return - for FDVHSQ or FDVHT
ZDV48GP	Galvanized Pipe 7" Dia. x 48" (Vertical Installations)
ZDVAAF	Flashing 7" c/w Storm Collar (1/12 to 7/12)
ZDVAF2	Flashing 7" c/w Storm Collar (8/12 to 12/12)
ZDVAF3	Flashing 7" c/w Storm Collar Flat
ZDV7SC	Storm Collar 7 "
Z57FK5	Flex Kit (5" & 7" Dia.) x 5' Expanded (c/w Springs, Screws, Mill Pac)
Z57FK8	Flex Kit (5" & 7" Dia.) x 8' Expanded (c/w Springs, Screws, Mill Pac)
Z57FK20	Flex Kit (5" & 7" Dia.) x 20' Expanded (c/w Springs, Screws, Mill Pac)
ZDV5FC	Flex Connector 5" Diameter
ZDV7FC	Flex Connector 7" Diameter
ZDV5FCL	Flex Clamp 5"
ZDV7FCL	Flex Clamp 7"
ZDV4SS	Spring - Standoff Spacer for Inner Pipe
Z57DFA	Hard Pipe Adapter – 5"x 8" For MQRB5143 Only
Z57WTS	Wall Thimble Shield
Z57ST24	Horizontal Snorkel Termination (24" Tall, 14- 1/2" Center to Center)
Z57ST36	Horizontal Snorkel Termination (36" Tall, 26- 1/2" Center to Center)
Z57STSC	Safety Cage for Horizontal Snorkel Termination

Marquis Infinite Zero Clearance Direct Vent Gas Fireplace -69" Wide

Listed for USA/Canada as a Vented Gas Fireplace Heater: Linear LH Burner, Two Sides Open, SIT Valve with Hi/Lo Flame and BTU Adjustment, Ceramic Glass, 7/10" Flue, Wall Switches, Junction Box, Accent Lighting with Decorative Ember Glass, 59,000 BTU

MQRB6961N	Linear Multi-Sided Fireplace, Milli Volt Valve (as above) Natural Gas
MQRB6961LP	Linear Multi-Sided Fireplace, Milli Volt Valve (as above) Propane
MQRB6961NE	Linear Multi-Sided Fireplace, IPI Valve (as above) Natural Gas
MQRB6961NE2	Linear Multi-Sided Fireplace, IPI Valve (as above) Natural Gas
MQRB6961LPE	Linear Multi-Sided Fireplace, IPI Valve (as above) Propane
MQRB6961LPE2	Linear Multi-Sided Fireplace, IPI Valve (as above) Propane

Choose Your View Kit: (Required for each unit)

MQRB69BK	Back Shield Kit - (Single View) Shield and Cover, False Bottom with Series II Pilot Shield, False Bottom Cover, Series II Pilot Bracket, Back Liner
MQRB69SK	See-Through Kit - Ceramic Glass Door, False Bottom with Series II Pilot Shield, Series II Pilot Bracket, Access Panel, Filler Posts

Infinite Wall Surround-(Covers 69-1/8"W X 19")

MQRB6919SBL	Surround Trim Kit (69-1/8" x 19") - Black
MQRB6919SPW	Surround Trim Kit (69-1/8" x 19") - Pewter
MQRB6919SSS	Surround Trim Kit (69-1/8" x 19") - Stainless Steel

Infinite Wall Surround-(Covers 74-7/8"W X 24")

MQRB6924SBL	Surround Trim Kit (74-7/8" x 24") - Black
MQRB6924SPW	Surround Trim Kit (74-7/8" x 24") - Pewter
MQRB6924SSS	Surround Trim Kit (74-7/8" x 24") - Stainless Steel

Infinite Porcelain Liners

MQRB6961PLB	Porcelain Liner - Back - Single Side
MQRB6961PLE	Porcelain Liner - Ends - See Through & Single Side

Rocks & Logs

MQLOAK1	5 Piece Oak Log Set
---------	---------------------

MQLOAK2	4 Piece Oak Log Set (to be used with MQLOAK1)
RBCB1	Cannonballs- Assorted size and colors
MQ46D	Driftwood Log Set- 3pcs.
MQ Stone	Decorative Stones
MQRBD2	Drift Wood and Rocks
MQRBD3	Drift Wood Log Set (5pcs)
MQRBRW	Birch Log Set (5pcs)
MQROCK2	Rock Set - Contemporary Collection - Natural
MQROCK3	Rock Set - Contemporary Collection - Multi-Colored
MQG10W	Decorative Ember Glass - White - 10 lbs
MQG10A	Decorative Ember Glass – Azuria Blue - 10 lbs
MQG10C	Decorative Ember Glass - Copper - 10 lbs

Door Glass

6961ZDV-310	Ceramic Glass –For All MQRB6961
MQRB69CSS	Safety Screen Replacement

Replacement Burner Assembly / Burner

69MQ-200A1	Burner Tube
6961ZDV-220A	Burner Tube (Series II)
6961MQ-BLPSI	Burner Assembly- Propane c/w Valve System (MQRB6961LP)
6961MQ-BNGSI	Burner Assembly-Natural Gas c/w Valve System (MQRB6961N)
6961MQ-BLPSIE	Burner Assembly- Propane c/w Valve System (MQRB6961LPE)
6961MQ-BNGSIE	Burner Assembly-Natural Gas c/w Valve System (MQRB6961NE)
6961MQ-BLPSIE2	Burner Assembly- Propane c/w Valve System (MQRB6961LPE2)
6961MQ-BNGSIE2	Burner Assembly-Natural Gas c/w Valve System (MQRB6961NE2)
6961-P161	16" Extension Cord

Conversion Kit

6961MQ-CKLP	LP Conversion Kit for MQRB6961 Millivolt
6961MQ-CKNG	NG Conversion Kit for MQRB6961 Millivolt
6961MQ-CKLPI	LP Conversion Kit for IPI MQRB6961LPE
6961MQ-CKNGI	NG Conversion Kit for IPI MQRB6961NE
6961MQ-CKLP2	LP Conversion Kit for IPI MQRB6961LPE2

Venting Accessories

Z710HSK5	Horizontal Round Term. Vent Starter Kit [7/10" x 5ft Length, Z57WTS Wall Thimble Shield, Horizontal Vent Termination, Wall Thimble, 60" Flex Pipe, Millpac]
Z710HT	7/10" Horizontal Vent Termination
Z710VT	7/10" Vertical Vent Termination
Z710WT	Wall Thimble Shield for 7/10" Pipe
Z710SS	Siding Shield Heat Deflector for ZDV710HT
Z710AIS	Attic Insulation Shield for 10" Pipe
Z710GP48	Galvanized Pipe 10" Dia. X 4ft (Vertical Installation)
Z710FS	Firestop Spacer for 10" Pipe
Z710RS	Roof Support for 10" Pipe
Z710FK5	Flex Kit [7/10"x5' Expanded: Springs, Screws, Millpac]
Z710FK8	Flex Kit [7/10"x8' Expanded: Springs, Screws, Millpac]
Z710FK20	Flex Kit [7/10"x20' Exp.: Springs, Screws, Millpac]
ZDV7FC	Flex Connector 7" Diameter
ZDV10FC	Flex Connector 10" Diameter
ZDV7FCL	Flex Clamp 7" Diameter
ZDV10FCL	Flex Clamp 10" Diameter
Z710SC	Storm Collar 10" Diameter
Z710F	Flashing 10" c/w Storm Collar (1/12 to 7/12)
Z710F2	Flashing 10" c/w Storm Collar (8/12 to 12/12)
Z710F3	Flashing 10" c/w Storm Collar Flat
ZDV7SS	Spring – Standoff Spacer for Inner Pipe
Z710HSC	Horizontal Safety Cage
ZDVVOS	Offset Support
ZDV710HSK5	Horizontal Round Term. Vent Starter Kit [7/10" x 5ft Length, Wall Thimble Shield,



NOTE: Kingsman Flex venting MUST be used on the MQRB6961. Use of Duravent- DirectVent Pro or other hard pipe venting systems is not permitted unless a power vent is used.

Z5

Common Parts for MQRB4436, MQRB5143 and MQRB6961

Accessories

Z1MT	Thermostat - Millivolt Wall Mount
3927ZDV-P779-1	Bulb 10W 12V 64418 or [Sylvania 58691] (Lightbulbs NOT covered under Warranty.)
5143-P77912	Lamp Assembly 58mm (Lightbulbs NOT covered under Warranty.)
5143-LKT1	Power Bus for Light Assembly MQRB4436 , MQRB5143
6961-LKT3	Power Bus for Light Assembly MQRB6961
1001-P1636C	6 Conductor
1001-P1630	Fixing Carrier
3927ZDV-P601	Transformer MET60-1

Fan Kits

Z36FK	Fan Kit w/Variable Speed Wall Mount Control (Temperature Sensing)
Z36FK2	Fan Kit for Proflame 2 Units

Millivolt Remotes

GFRC	Remote Control Millivolt/IPI - On/Off
GTRC	Remote Control Millivolt - Thermostat
GTMRCN	Remote Control Millivolt - Thermostat - Modulating - NG
GTMRCP	Remote Control Millivolt - Thermostat - Modulating - LP
1001-P904SI	Remote Receiver Extension Harness (GT Series Remotes Only)-10ft.
DCHS	Remote Control Heatshield
GTFRCN*	Remote Control Millivolt – Thermostat - Modulating/Fan - NG
GTFRCP*	Remote Control Millivolt – Thermostat - Modulating/Fan - LP
51-UHS	Heat Shield for all Infinite units for in-unit installation of Remote Receiver, Fan Control module. Also accepts IPI module. *When using GTF Fan Module, the 51-UHS must be used.

Valve System Parts / Millivolt

1000-P136WR	Thermopile GOAI-524
1001-P069SI	Electrode Sparker
OFP42SA	Spark Assist
1001-P216SI	Thermocouple 290.216TC SIT
1001-P165SI	Orifice Pilot NG977.165TC SIT
1001-P167SI	Orifice Pilot LP977.167TC SIT
1001-P633SI	Valve Nova LP Hi/Lo 0820651
1001-P634SI	Valve Nova NG Hi/Lo 0820652
1001-P713SI	Pilot Burner LP 199.713TC SIT

1001-P714SI Pilot Burner NG 199.714TC SIT

IPI Remotes

EGTRC	Remote Control IPI - Thermostat
EGTMRCN	Remote Control IPI - Thermostat - Modulating - NG
1001-P904SI	Remote Receiver Extension Harness (GT Series Remotes Only)-10ft.
EGTMRCP	Remote Control IPI - Thermostat - Modulating - LP
EGTFRCN*	Remote Control IPI – Thermostat - Modulating/Fan - NG
EGTFRCP*	Remote Control IPI -Thermostat - Modulating/Fan - LP
51-UHS	Heat Shield for all Infinite units for in-unit installation of Remote Receiver, Fan Control module. Also accepts IPI module. *When using GTF Fan Module, the 51-UHS must be used.

Electronic Ignition Replacement Parts IPI

1006-P002si	Valve IPI (NG; Hi/Lo)
1006-P003si	Valve IPI (LP; Hi/Lo)
1002-P047si*	Pilot Assembly (LP) *Longer (35 ") Must be used when purchasing complete Pilot
1002-P033si*	Pilot Assembly (NG) *Longer (35 ") Must be used when purchasing complete Pilot
1002-P119si*	Spark Electrode 35"
1002-P910si*	Electrode Flame Sensor 35"
1002-P302si	IPI Ignition Board
1002-P850si	AC Wall Adapter
1002-P12BH	Battery Pack
1002-P912si	Wiring Harness
1001-P166si	Orifice Pilot (NG)
1001-P168si	Orifice Pilot (LP)
1002-P013si	Stepper Motor (NG)
1002-P012si	Stepper Motor (LP)
1002-P016si	Hi/Lo Regulator (NG)
1002-P014si	Hi/Lo Regulator (LP)

Miscellaneous Parts

1000-150GE	Silicone GE Red IS806 #736
1000-150MP	Hi Temp Millpac Sealant 840099
1000-214	Piezo Igniter 1244-17 MARK 21
1000-215	Pal Nut (18MMX1.5MM) BLK (1364.03)

1000-218	Switch Ivory (1451/001)
1000-227	Cover Ivory (86001/001)
1000-255	Orifice Brass -(State Size)
1000-306	Thermalcord -Adhesive Back for Door Frame
36HB-123	Upper Door Spring
5143ZDV-400	Door Latch Tool
51MQ-123A	Door Latch Assembly
5143ZDV-258-2	Series II Pilot Shield
5143ZDV-259-2	Series II False Bottom Cover (Single Sided Units Only)
FP15GC	Stainless Steel Gas Connector


-Glass Safety- All Units


IT IS THE RESPONSIBILITY OF THE HOME OWNER TO ENSURE THAT NO ONE TOUCHES A HOT APPLIANCE.

If the barrier becomes damaged, the barrier shall be replaced with the manufacturer's barrier for this appliance.

Any safety screen, guard, or barrier removed for servicing the appliance, must be replaced prior to operating the appliance.

- Children and adults should be alerted to the hazards of the high surface temperatures of this appliance and should stay away to avoid burns or ignition of clothing.
- Do not clean when the glass is hot.
- Young children should be carefully supervised when they are in the same room as the appliance. Toddlers, young children and others may be susceptible to accidental contact burns.
- A physical barrier is recommended if there are at risk individuals in the house. To restrict access to a fireplace or stove, install an adjustable safety gate to keep toddlers, young children and other at risk individuals out of the room and away from hot surfaces.
- Do not leave the fireplace remote control where it is accessible to children.

 **DANGER**



HOT GLASS WILL CAUSE BURNS.

DO NOT TOUCH GLASS UNTIL COOLED.

NEVER ALLOW CHILDREN TO TOUCH GLASS.

A barrier designed to reduce the risk of burns from the hot viewing glass is provided with this appliance and must be installed for the protection of children and other at-risk individuals.

If the barrier becomes damaged, the barrier must be replaced with the manufacturer's barrier for this appliance.

-Termination Cap Safety- All Units

 **WARNING:**

A HORIZONTAL VENT CERTIFIED GUARD (SAFETY CAGE) IS AVAILABLE WHEN REQUIRED BY LOCAL CODES.

SAFETY CAGES ARE AVAILABLE FOR ALL HORIZONTAL VENT TERMINATIONS. CHECK WITH YOUR DEALER.

- **TERMINATION CAP IS HOT!** Do not place flammable materials on or within 24 inches of termination caps.
- It is imperative that the vent termination be located observing the minimum clearances as shown in manual.
- There must not be any obstruction such as bushes, garden sheds, fences, decks or utility buildings within 24" from the front of the termination plate.
- Do not locate termination where excessive snow or ice build-up may occur. Be sure to check vent termination area after snow falls and clear to prevent accidental blockage of venting system. When using snow blowers, make sure snow is not directed towards vent termination area.
- Venting terminal shall not be recessed into a wall or siding.



LIMITED LIFETIME WARRANTY

This Limited Lifetime Warranty applies only while the unit remains at the site of the original installation and only if the unit is installed inside the continental United States, Alaska, Hawaii, and Canada. The warranty applies only if the unit is installed and operated in accordance with the printed instructions and in compliance with applicable installation and building codes and good trade practices.

BASIC ONE YEAR WARRANTY

During the first year after installation of the appliance, we will provide a replacement for any component part of your unit found to be defective in materials or workmanship, including labour costs. Repair work requires prior approval by Kingsman, labour costs are based on a predetermined rate schedule and any repair work must be done through an authorized Kingsman dealer.

(Excluded Components: Accent Light Bulbs, Gasketing, Glass Fronts, and Paint)

LIMITED LIFETIME WARRANTY

The heat exchanger, combustion chamber and burner of every Kingsman product excluding the Outdoor Firepit are warranted against materials or workmanship during the period the product is owned by the original owner. The part to be replaced must be returned to our distributor in exchange for the replacement part. Any labor, material, freight and/or handling charges associated with any repair or replacement pursuant to this Limited Lifetime Warranty will not be covered by this warranty.

GENERAL TERMS

In lieu of providing a replacement part, we may, at our option, provide the distributor's component purchase price from us or a credit equal to the distributor's component purchase price from us toward the purchase of any new unit which we distribute. If a credit is given in lieu of a replacement part, the rating plate from the unit being replaced must be submitted on a warranty claim, and the unit being replaced must be made available to our distributor for disposition.

In establishing the date of installation for any purpose, including determination of the starting date for the term of this Limited Lifetime Warranty, reasonable proof of the original installation date must be presented*, otherwise the effective date will be based upon the date of manufacture plus thirty (30) days.

We will not be responsible for and you, the user, will pay for: (a) damages caused by accident, abuse, negligence, misuse, riot, fire, flood, or Acts of God (b) damages caused by operating the unit where there is a corrosive atmosphere containing chlorine, fluorine, or any other damaging chemicals (other than in a normal residential environment) (c) damages caused by any unauthorized alteration or repair of the unit affecting its stability or performance (d) damages caused by improper matching or application of the unit or the unit's components (e) damages caused by failing to provide proper maintenance and service to the unit (f) any expenses incurred for erecting, disconnecting or dismantling the unit (g) parts or supplies used in connection with service or maintenance (h) damage repairs, inoperation or inefficiency resulting from faulty installation or application (i) electricity or fuel costs or any increase in electricity or fuel cost whatsoever including additional or unusual use of supplemental electric heat.

We shall not be liable for any incidental, consequential, or special damages or expenses in connection with any use or failure of this unit. We have not made and do not make any representation or warranty of fitness for a particular use or purpose, and there is no implied condition of fitness for a particular use or purpose. We make no express warranties except as stated in this Limited Lifetime Warranty. No one is authorized to change this Limited Lifetime Warranty or to create for us any other obligation or liability in connections with this unit. Any implied warranties shall last for one year after the original installation. Some states and provinces do not allow the exclusion or limitation of incidental or consequential damages or do not allow limitations on how long an implied warranty or condition lasts, so the above limitations or exclusions may not apply to you. The provisions of this limited warranty are in additions to and not a modification of or subtraction from any statutory warranties and other rights and remedies provided by law.

Save this certificate. It gives you specific legal rights, and you may also have other rights which may vary from state to state and province to province.

In the event your unit needs servicing, contact your dealer or contractor who installed or serviced your unit. When requesting service, please have the model and serial number from each unit readily available. If your dealer needs assistance, the distributor is available for support and we, in turn support the distributor's efforts.

Fill in the installation date and model and serial numbers of the unit in the space provided below and retain this limited warranty for your files.

Model No. _____ Serial No. _____ Date installed _____

Dealer or Contractor Name: _____

*To receive advantage of your warranty, you must retain the original records that can establish the installation date of your unit.